

Oversized Lube Regulated Pressure Regulator Valve Kit

Part No.

44912-15K

- Valve
- Green Spring Selective, OE Pressure
- Yellow Spring Selective use w/**RFE-LB1**

NOTE: Sonnax **RFE-LB1** line pressure booster kit provides progressive pressure increase for smooth engagements and lower load on pump at idle, but a greater increase in pressure as the transmission is worked harder. More information can be found online at www.sonnax.com.

Tool Kit

Part No.

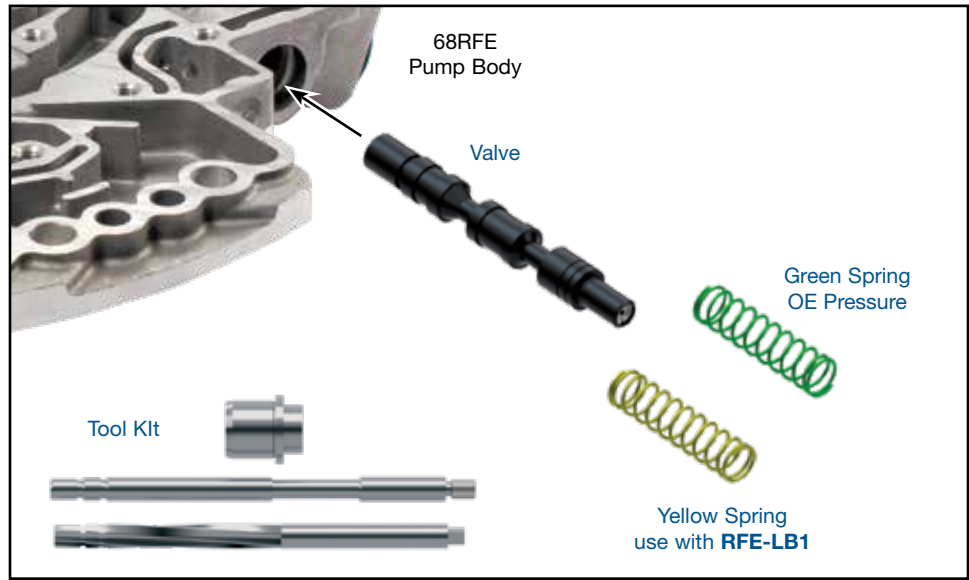
F-44912-TL10

- Reamer
- Reamer Jig
- Guide Pin

NOTE: Sonnax "F-Tool" kits designed to service a specific bore require the VB-FIX, a self-aligning valve body reaming fixture. More information and instructions can be found online at www.sonnax.com.



Chrysler 45RFE, 545RFE, 65RFE, 66RFE, 68RFE



NOTE! Check casting wall at the pressure regulator valve between the line and lube/converter circuits. If a hole has been drilled in this wall, it must be plugged shut to receive full benefits from this valve.

1. Disassembly

- Remove OE retaining clip and save for reuse.
- Remove and discard OE pressure regulator spring and valve.

2. Bore Reaming

Ream pressure regulator bore (for reaming instructions/reamer care, please visit www.sonnax.com). Sonnax reaming tool kit **F-44912-TL10** and **VB-FIX** are required for this operation.

3. Installation & Assembly

- Ensure all debris has been removed from valve bore and body.
- Install Sonnax pressure regulator valve.
- Select appropriate Sonnax spring (**Figure 1**). Install spring into bore. Ensure spring is seated over valve spring guide.
- Reinstall OE retaining clip.

3. Final Testing

Vacuum testing at the port(s) indicated holds the recommended minimum 15 and 18 in-Hg (**Figure 2**).

