

Oversized SLT Piston Kit



Part No.

122740-17K

- Piston
- Spring
- End Plug

Tool Kit

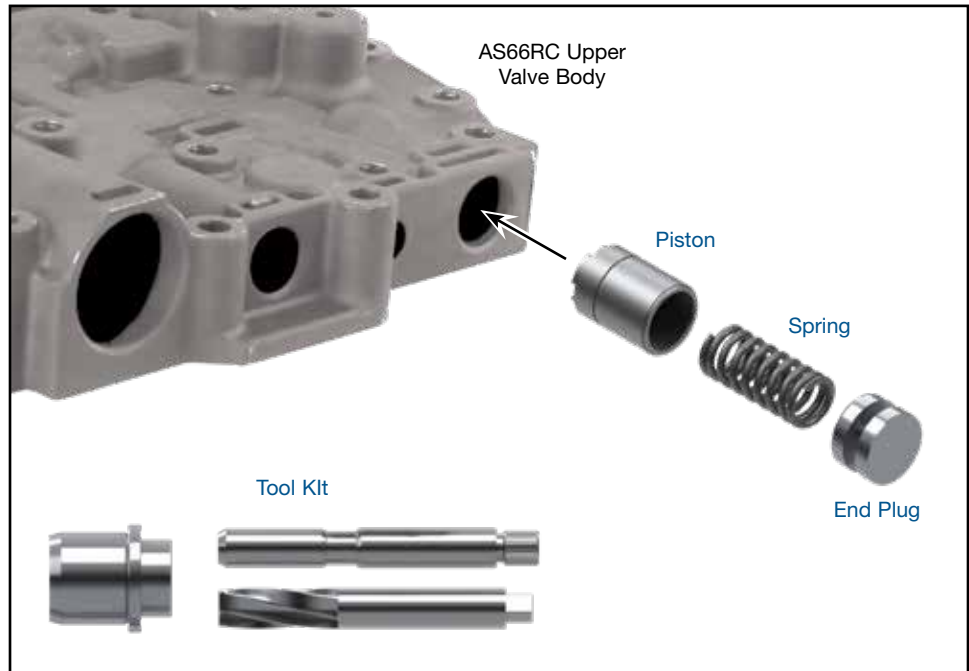


Part No.

F-122740-TL17

- Reamer
- Reamer Jig
- Guide Pin

NOTE: Sonnax “F-Tool” kits designed to service a specific bore require the VB-FIX, a self-aligning valve body reaming fixture. More information and instructions can be found online at www.sonnax.com.



Aisin Seiki AS66RC, AS69RC

1. Disassembly

- Remove OE retainer and save for reuse.
- Remove and discard the OE end plug, spring and piston.

2. Bore Reaming

Ream SLT accumulator bore (for reaming instructions/reamer care, please visit www.sonnax.com). Sonnax reaming tool kit F-122740-TL17 and VB-FIX are required for this operation.

3. Installation & Assembly

- Be certain all debris has been removed from the valve bore and valve body.
- Install Sonnax piston, spring and endplug.
- Secure in place with OE retaining clip.

4. Final Testing

Vacuum testing at the port(s) indicated holds the recommended minimum 16 in-Hg.

