

Shift Shaft Saver Kit

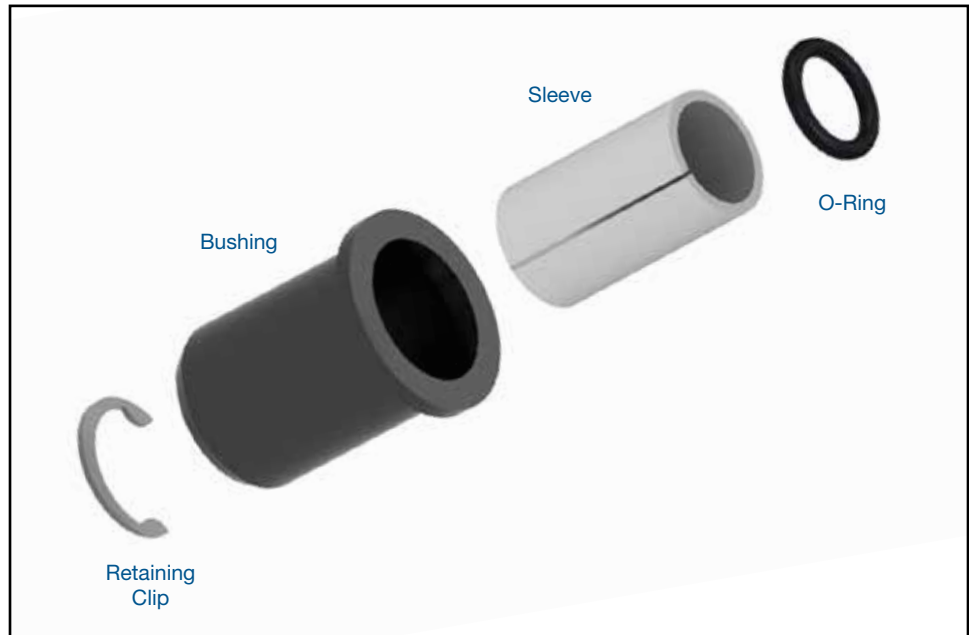
Part No.

262991-04K

• Bushing	Delrin®
• Sleeve	PTFE
• O-Rings (2)	1 Extra
• Retaining Clips (2)	1 Extra

Patent No. 11,953,092

Chrysler 62TE

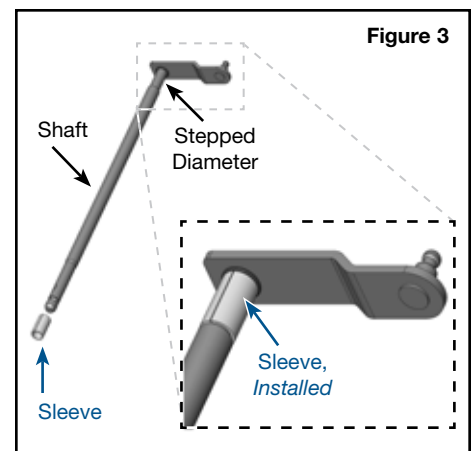
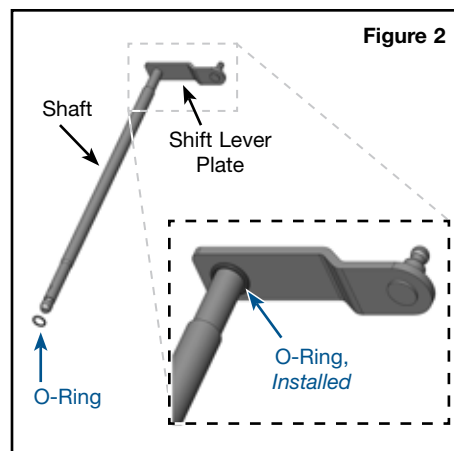
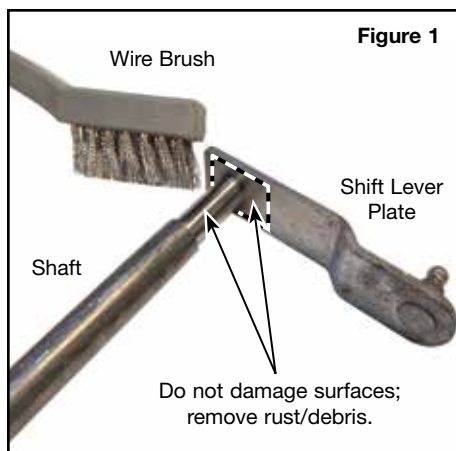


1. Disassembly

- a. Remove OE bushing. Take care to avoid damaging the shaft surfaces beneath the bushing.
- b. Lightly remove any rust at the locations beneath the bushing (**Figure 1**).

2. Assembly

- a. Lightly lube and install Sonnax O-ring over the end of the shaft and roll it up until it sits against the shift lever plate (**Figure 2**).
- b. Install Sonnax split sleeve over the end of the shaft. Slide the sleeve up the shaft until it drops onto the stepped diameter, against O-ring (**Figure 3**). After installation, lightly lubricate outside of sleeve.



2. Assembly (continued)

- c. Install Sonnax bushing over the end of the shaft with the flanged side of the bushing towards the shift lever. Slide bushing up the shaft, over the sleeve, and up against the O-ring (**Figure 4**).
- d. Push bushing firmly against the shift lever plate to compress the O-ring and create a gap for the retaining clip at the other end of the bushing. This can be easily done with a 16mm open end wrench (**Figure 5**). Install the Sonnax retaining clip in the gap between the bushing and the shaft's step (**Figure 6**).
- e. Ensure the retaining clip is fully seated onto the shift shaft. Inspect the exposed edges of the bushing and clip. The outer edge of the retaining clip should be concentric with the bushing and shaft (**Figure 7**).

