

1-3-5-6-7 Accumulator Piston Kit

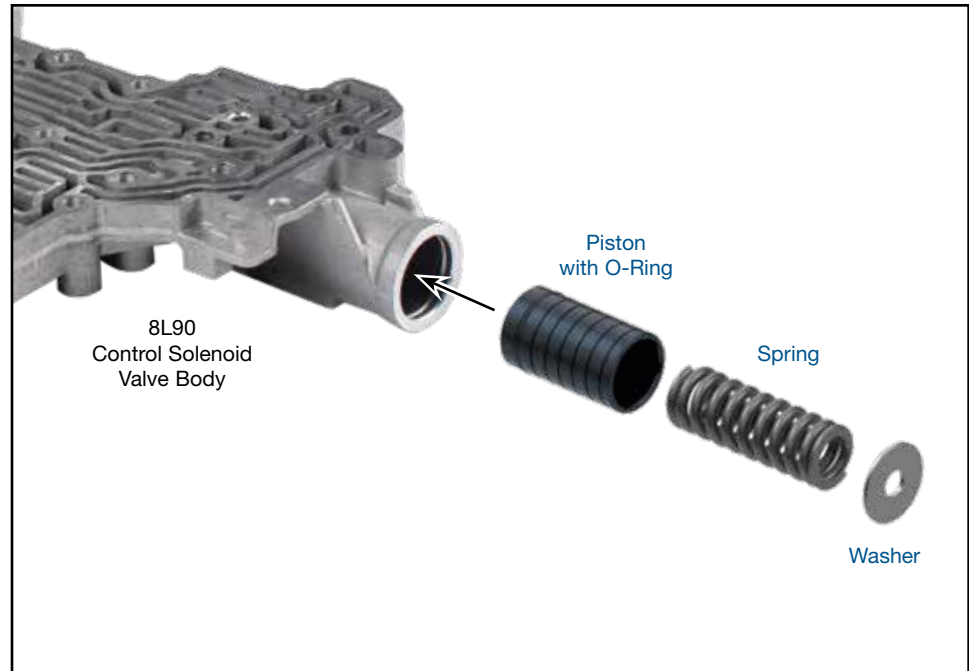
Part No.

154740-15K

- Piston
- O-Rings (2)
- Spring
- Washer

1 Extra

GM 8L45, 8L90



1. Disassembly

- Remove OE retaining ring and save for reuse.
- Remove and discard OE piston, spring and washer.

2. Installation & Assembly

- Ensure valve body bore is clean and free of debris.
- Install Sonnax O-ring in the Sonnax piston groove.
- Coat O-ring on piston with Sonnax Slippery Stick **O-LUBE** and roll to size.
- Install piston, O-ringed end first, into bore.
- Install Sonnax spring and washer, secure with OE retaining ring.

3. Final Testing

Vacuum testing at the port(s) indicated holds the recommended minimum 20 in-Hg.

