

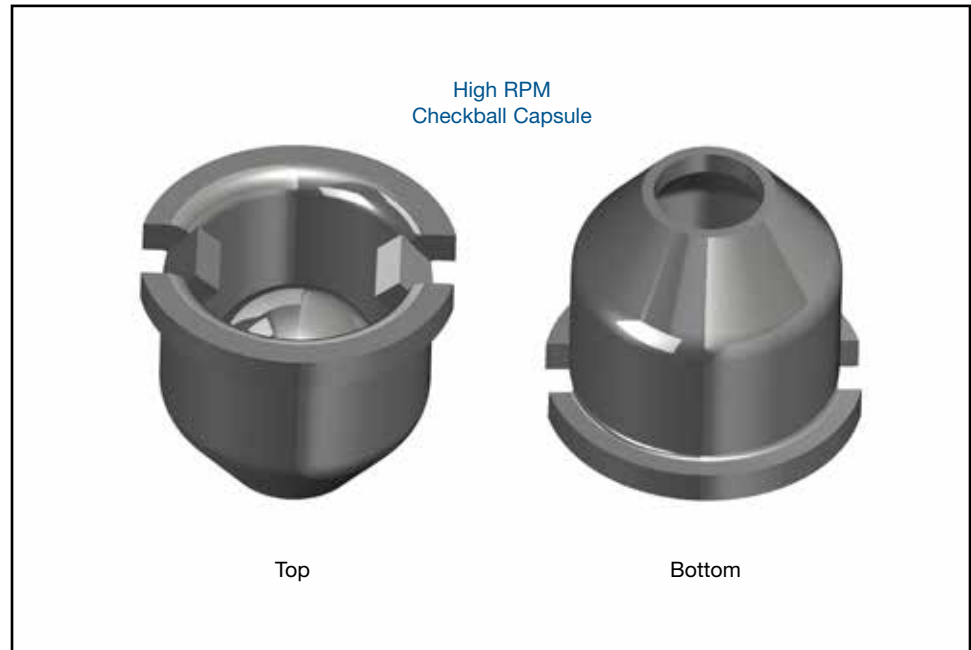
High RPM Checkball Capsule

Part No.
57510-01

- Checkball Capsules (5)

NOTE: Retrofits into existing applications.

GM TH400, Powerglide



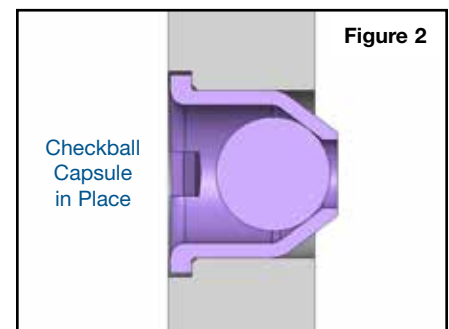
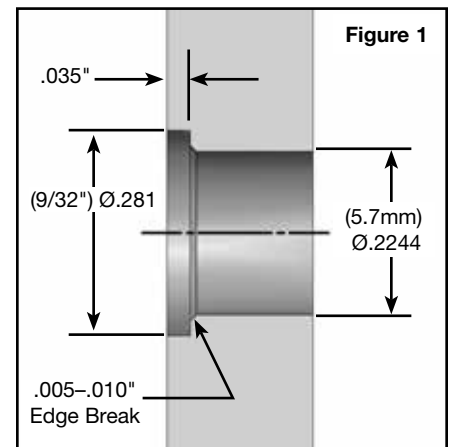
NOTE: High RPM checkball capsule **57510-01** is specially calibrated for high RPM racing applications. Testing has shown that OEM checkballs are unreliable above 5500 RPM. At higher speeds the checkballs can unseat resulting in drop of line pressure or converter pressure. Variables that effect checkball performance include diameter of ball, mass of ball, distance from centerline, seat angle, oil pressure and RPM. For racing applications that see RPM above 5500, the checkball in piston or drum should be replaced with **57510-01**. This universal part can be installed in existing TH400 pistons or drums and Powerglide drums.

1. Preparation

- Press out existing checkball or checkball capsule.
- Pre-drill hole with 3/16" drill bit. Follow by drilling to final size with 5.7mm drill bit (**Figure 1**). This size is commonly available from machining supply distributors like MSC, Grainger and McMaster Carr.
- If checkball needs to be flush, add a chamfer or spot face to recess the lip on the checkball capsule.

2. Installation

Press checkball capsule into place (**Figure 2**).
See examples in **Figures 3, 4 & 5**.



3. Final testing

Ensure the checkball seals. Pressurize with a rubber tip blow gun or vacuum test ball seat.



NOTE: For applications like TH400 where checkball can be in drum or piston, there should only be one checkball, never two.

Installation Examples

