

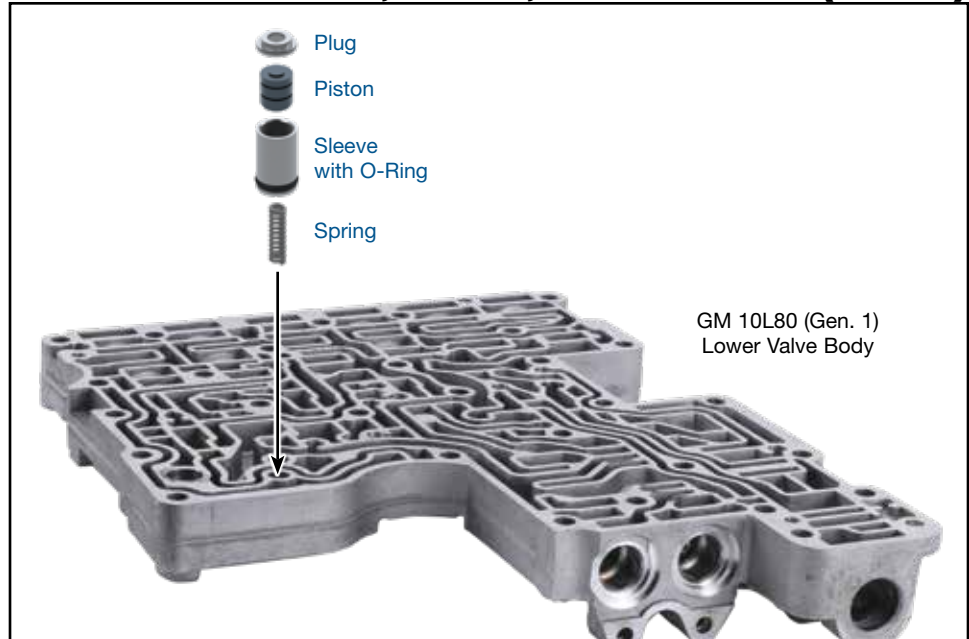
## TCC Signal Damper Piston Kit

**Part No.**  
**105740-06K**

- Plug
- Piston
- Sleeve
- Spring
- O-Rings (2) 1 Extra

Patent No. 11,933,326

### Ford 10R60, 10R80; GM 10L80/90 (Gen. 1)



#### 1. Disassembly

Remove and discard the OE piston and spring.

#### 2. Installation & Assembly

- a. Be certain all debris has been removed from valve bore and valve body.
- b. Install O-ring into groove of Sonnax sleeve. Lubricate O-ringed sleeve with Sonnax Slippery Stick **O-LUBE**. Roll on bench to size O-ring into groove.
- c. Install Sonnax spring into the Sonnax piston/sleeve assembly through the bottom hole.
- d. Install Sonnax piston/sleeve assembly and spring into the bore.
- e. Install the plug on top of the piston/sleeve assembly so the smaller end is facing up. This smaller end is meant to go through the hole in the separator plate.

#### 3. Final Testing

Vacuum testing at the port(s) indicated holds the recommended minimum 18 in-Hg.

