

## Oversized TCC Regulator Valve Kit

Part No.  
**105740-15K**

- Valve
- Sleeve
- Spring

**NOTE:** Identify the valve you are using by the ridge marking on the stem (Figure 1).

## Tool Kit

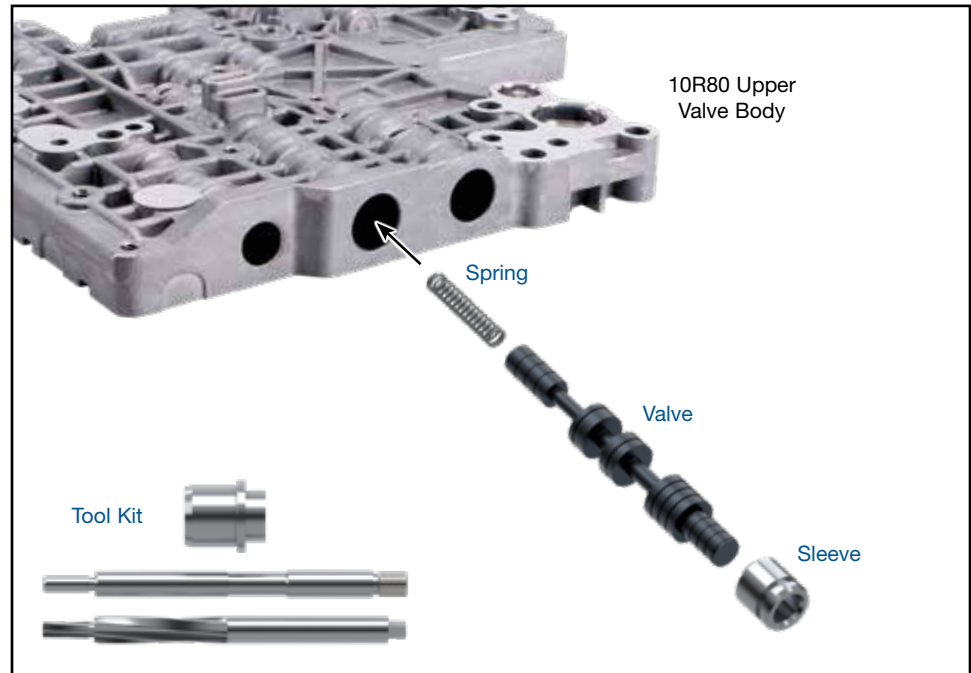
Part No.  
**F-105740-TL16**

- Reamer
- Reamer Jig
- Guide Pin

**NOTE:** Sonnax "F-Tool" kits designed to service a specific bore require the VB-FIX, a self-aligning valve body reaming fixture. More information and instructions can be found online at [www.sonnax.com](http://www.sonnax.com).



## Ford 10R60, 10R80, 10R90



### 1. Disassembly

- Remove and save OE retaining clip.
- Remove and discard OE valve and sleeve assembly.
- Remove and discard OE spring.

### 2. Bore Reaming

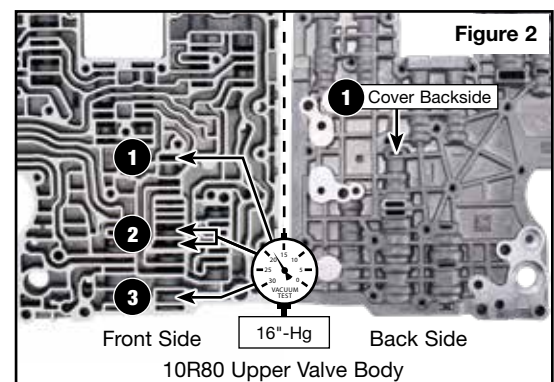
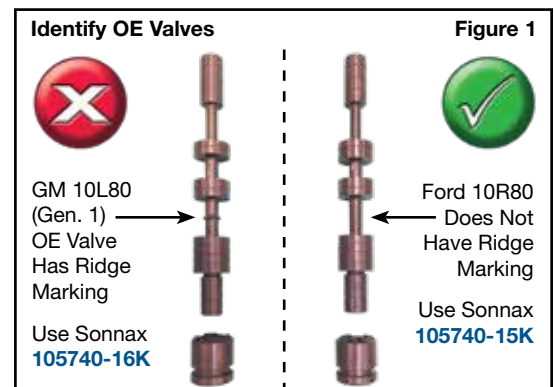
Ream the TCC regulator valve bore (for reaming instructions/reamer care, please visit [www.sonnax.com](http://www.sonnax.com)). Sonnax reaming tool kit **F-105740-TL16** and **VB-FIX** are required for this operation.

### 3. Installation & Assembly

- Be certain all debris has been removed from the valve bore and valve body.
- Install Sonnax spring followed by Sonnax valve/sleeve assembly.
- Reinstall OE retaining clip.

### 4. Final Testing

Vacuum testing at the ports indicated holds the recommended minimum 16 in.-Hg.



## Oversized TCC Regulator Valve Kit

Part No.  
**105740-16K**

- Valve
- Sleeve
- Spring

**NOTE:** Identify the valve you are using by the ridge mark on the stem (Figure 1).

## Tool Kit

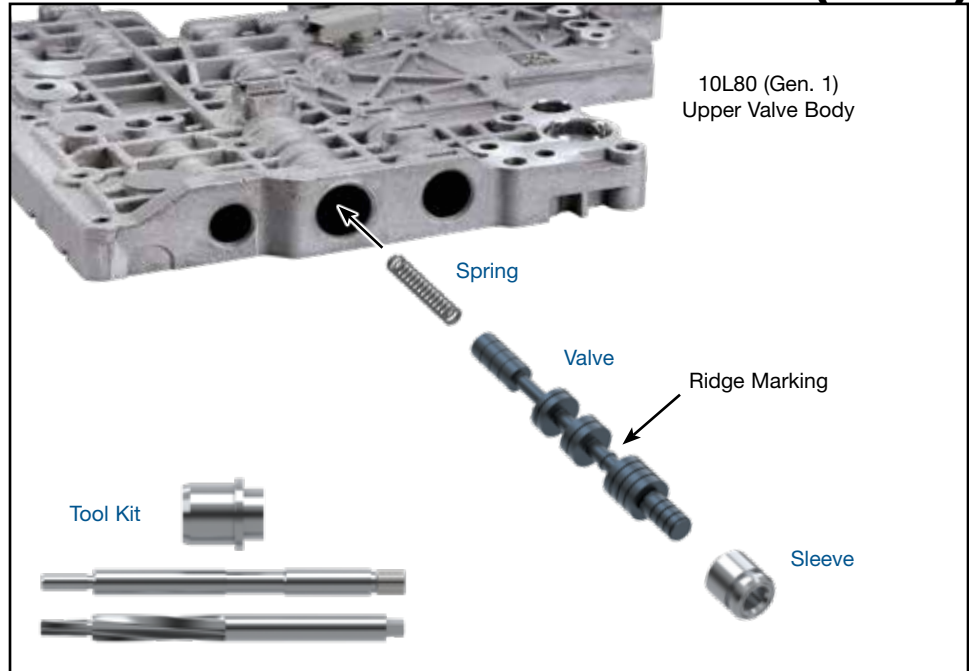
Part No.  
**F-105740-TL16**

- Reamer
- Reamer Jig
- Guide Pin

**NOTE:** Sonnax "F-Tool" kits designed to service a specific bore require the VB-FIX, a self-aligning valve body reaming fixture. More information and instructions can be found online at [www.sonnax.com](http://www.sonnax.com).



## GM 10L60/80/90 (Gen. 1)



### 1. Disassembly

- Remove and save OE retaining clip.
- Remove and discard OE valve and sleeve assembly.
- Remove and discard OE spring.

### 2. Bore Reaming

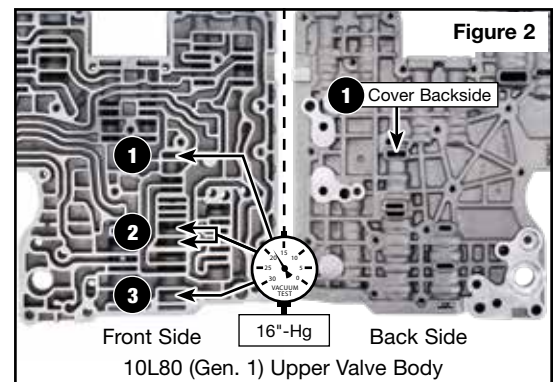
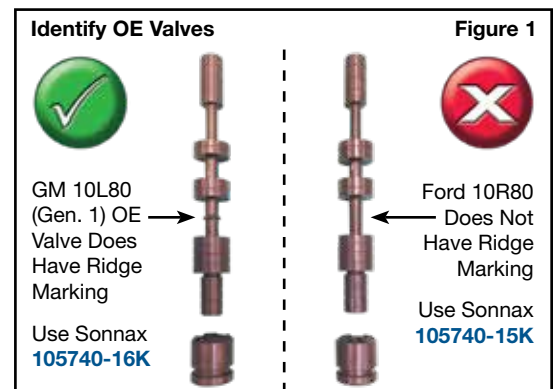
Ream the TCC regulator valve bore (for reaming instructions/reamer care, please visit [www.sonnax.com](http://www.sonnax.com)). Sonnax reaming tool kit **F-105740-TL16** and **VB-FIX** are required for this operation.

### 3. Installation & Assembly

- Be certain all debris has been removed from the valve bore and valve body.
- Install Sonnax spring followed by Sonnax valve/sleeve assembly.
- Reinstall OE retaining clip.

### 4. Final Testing

Vacuum testing at the ports indicated holds the recommended minimum 16 in.-Hg.



## Oversized TCC Regulator Valve Kit

Part No.  
**105740-17K**

- TCC Regulator Valve
- Boost Valve
- Boost Sleeve
- Spring

## Tool Kit

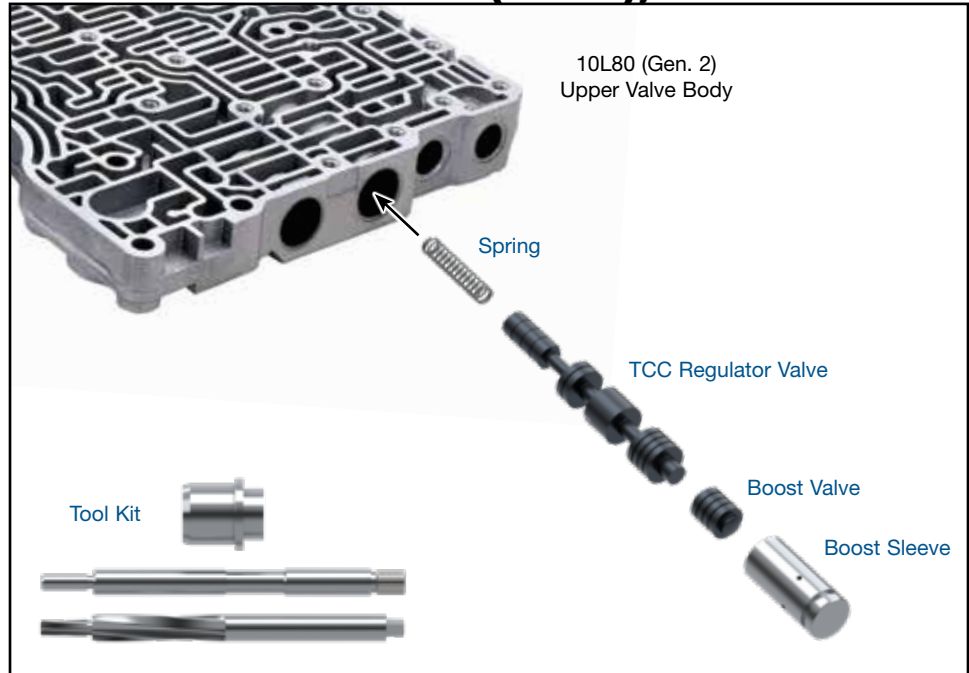
Part No.  
**F-105740-TL16**

- Reamer
- Reamer Jig
- Guide Pin

**NOTE:** Sonnax “F-Tool” kits designed to service a specific bore require the VB-FIX, a self-aligning valve body reaming fixture. More information and instructions can be found online at [www.sonnax.com](http://www.sonnax.com).



## GM 10L60/80/90 (Gen. 2); Allison 10L1000



### 1. Disassembly

- Remove and save OE retaining clip.
- Remove and discard OE boost valve and sleeve assembly.
- Remove and discard OE regulator valve and spring.

### 2. Bore Reaming

Ream the TCC regulator/boost valve bore (for reaming instructions/reamer care, please visit [www.sonnax.com](http://www.sonnax.com)). Sonnax reaming tool kit **F-105740-TL16** and **VB-FIX** are required for this operation.

### 3. Installation & Assembly

- Be certain all debris has been removed from the valve bore and valve body.
- Install Sonnax spring followed by Sonnax TCC regulator valve.
- Install Sonnax boost valve and sleeve assembly.
- Reinstall OE retaining clip.

### 4. Final Testing

Vacuum testing at the four ports indicated holds the recommended minimum 16 in-Hg.

