

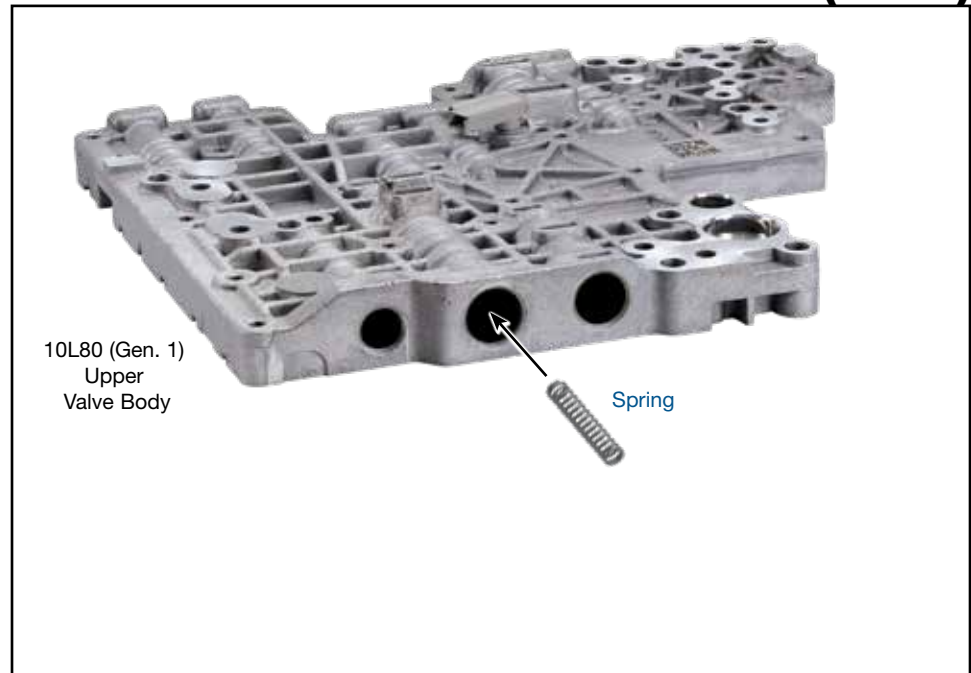
Allison 10L100; Ford 10R60, 10R80, 10R90; GM 10L60/80/90 (Gen. 1)

TCC Regulator Valve Spring

Part No.

105740-29

- Springs (5)



1. Disassembly

- Remove and save OE retainer.
- Remove and save OE valve and sleeve assembly.
- Remove and discard OE spring, ensuring all broken pieces are accounted for.

2. Installation & Assembly

- Be certain all debris has been removed from the valve bore and valve body.
- Install Sonnax spring into the OE valve inboard spring pocket.
- Install spring, OE valve and sleeve assembly into bore, spring end first.
- Reinstall OE retaining clip.

3. Final Testing

Once installed, the end of the valve should be flush with the end of the sleeve. Pressing on the end of this valve should give resistance but move smoothly in the sleeve.