

## Oversized TCC Apply Limit Switch Valve Kit

### Part No.

**44912-41K**

- Valve
- Spring

Patent Pending

**NOTE:** OE calls this a TC switch valve, Sonnax is calling our version the TCC apply limit switch valve because while it functions like the OE valve, it also limits the converter apply pressure.

## Tool Kit

### Part No.

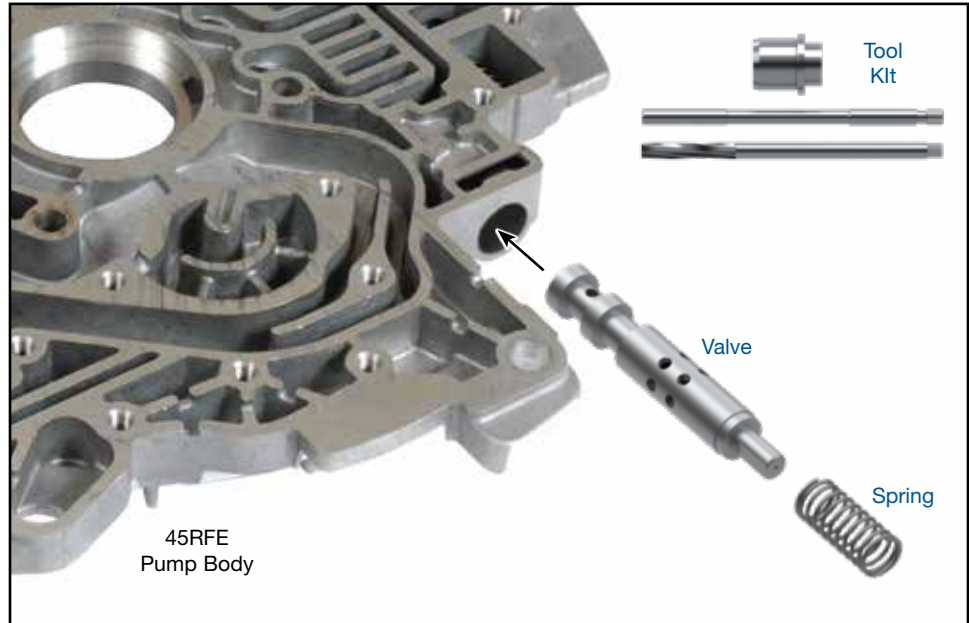
**F-44912-TL8**

- Reamer
- Reamer Jig
- Guide Pin

**NOTE:** Sonnax "F-Tool" kits designed to service a specific bore require the VB-FIX, a self-aligning valve body reaming fixture. More information and instructions can be found online at [www.sonnax.com](http://www.sonnax.com).



## Chrysler 45RFE, 545RFE, 65RFE, 66RFE, 68RFE



### 1. Disassembly

- Remove and save OE retainer.
- Remove and discard OE spring and switch valve.

### 2. Installation & Assembly

Ream the TCC switch valve bore (for reaming instructions/reamer care, please visit [www.sonnax.com](http://www.sonnax.com)). Sonnax reaming tool kit **F-44912-TL8** and **VB-FIX** are required for this operation.

### 3. Installation & Assembly

- Be certain all debris has been removed from the valve bore and valve body.
- Install Sonnax TCC apply limit switch valve.
- Install Sonnax spring, ensuring it seats over valve spring guide.
- Compress spring far enough to allow reinstallation of OE retainer clip.

### 4. Final Testing

- Vacuum testing at the ports indicated holds the recommended minimum 18 in-Hg.
- To test the balance port, valve must be moved and held about .060" to .100" against spring pressure. Inserting a retainer clip (from a neighboring valve

