

Oversized TCC Fault Valve

Part No.
154740-41

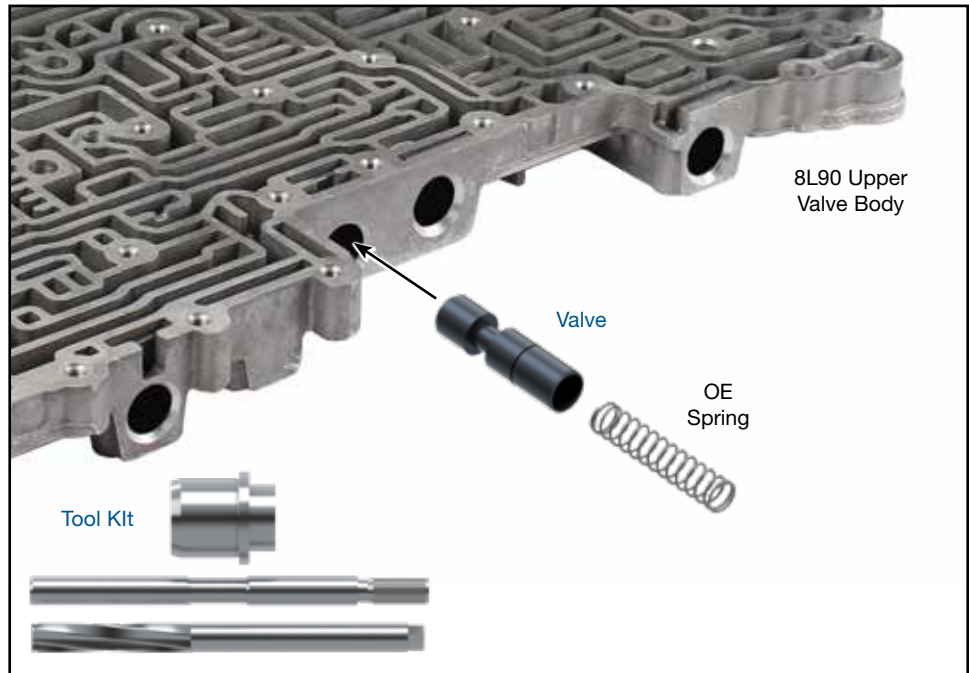
Tool Kit

Part No.
F-154740-TL41

- Reamer
- Reamer Jig
- Guide Pin



NOTE: Sonnax “F-Tool” kits designed to service a specific bore require the VB-FIX, a self-aligning valve body reaming fixture. More information and instructions can be found online at www.sonnax.com.



1. Disassembly

- Remove and save OE retainer.
- Remove and save OE spring.
- Remove and discard OE fault valve.

2. Bore Reaming

Ream TCC fault valve bore (for reaming instructions/reamer care, please visit www.sonnax.com). Sonnax reaming tool kit **F-154740-TL41** and **VB-FIX** are required for this operation.

3. Installation & Assembly

- Be certain all debris has been removed from the valve bore and valve body.
- Install Sonnax oversized TCC fault valve.
- Reinstall OE spring and OE retainer.

4. Final Testing

Vacuum testing at the port(s) indicated holds the recommended minimum 16 in-Hg (**Figure 1**).

