

Ford AOD (FIOD), AOD Performance

Turbine Hub Input Spline Count: 23

Damper Eliminator Kit

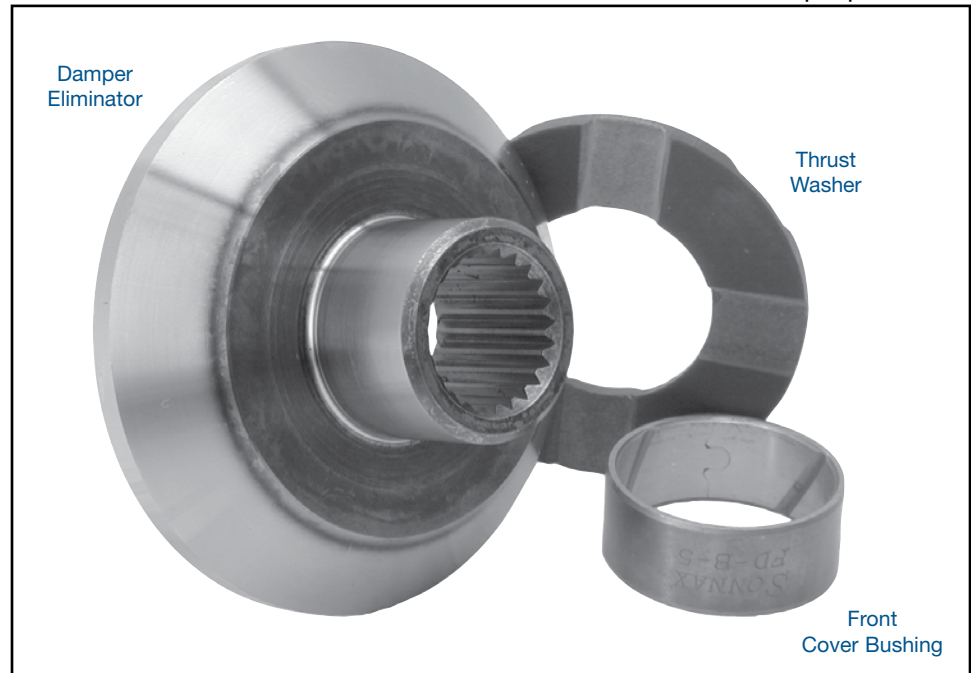
Part No.

FD-HTCM-26K

- Front Cover Bushing
- Damper Eliminator
- Thrust Washer

Associated Parts

- FD-B-5 Bushing
- FD-WP22-OE Stator Cap
- FD-HTCM-10 Turbine Hub
- FD-HT-AOD Turbine Hub



1. Remove stock AOD direct drive damper from the front cover.
2. Weld Sonnax damper eliminator **FD-HTCM-26** onto the front cover side of the turbine hub, (**FD-HTCM-10** for race kit, **FD-HT-AOD** for stock converter).



NOTE: This will NOT work with OE powdered metal turbine hub.

3. Install turbine hub assembly into the turbine and weld or rivet the assembly together.
4. Install Sonnax front cover bushing **FD-B-5**, into the front cover. This bushing is designed to fit into the bore.
5. Due to size variations in the OE stamped covers, building up and sizing the bore is required. The bore should be sized to 1.174" +/- .001".
6. Install Sonnax thrust washer **FD-WP22-OE** and turbine assembly into the front cover and finish assembling the converter as normal.

