

Pump Stator Bushing Kit



Part No.

120003K

- Bushing Small
- Bushing Large

NOTE: Fits units 2000-later. These bushings can be purchased separately: Small bushing **120003-01** and Large bushing **120003-02**.

Tool Kit

Part No.

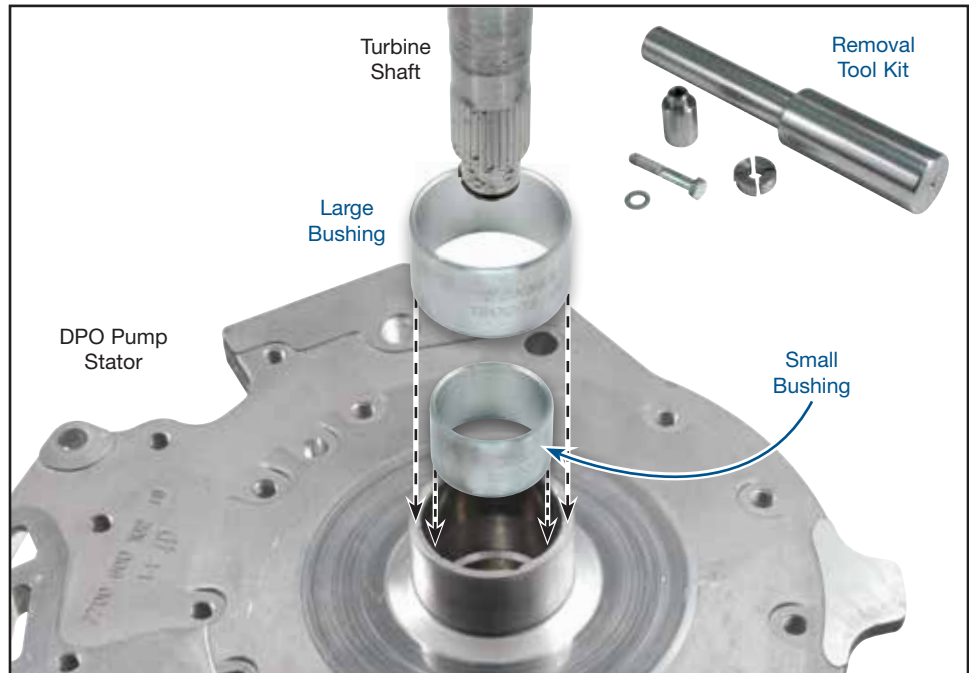
120003-TL

- Removal Tool
- Wedge Segments (4)
- Spreader
- Washer
- Bolt

NOTE: This tool will remove pump stator bushings from both Renault/Peugot DPO and AL-4 transmissions without damage to the bore.

WARNING! Required tool kit 120003-TL is no longer in production. Check with your distributor for availability.

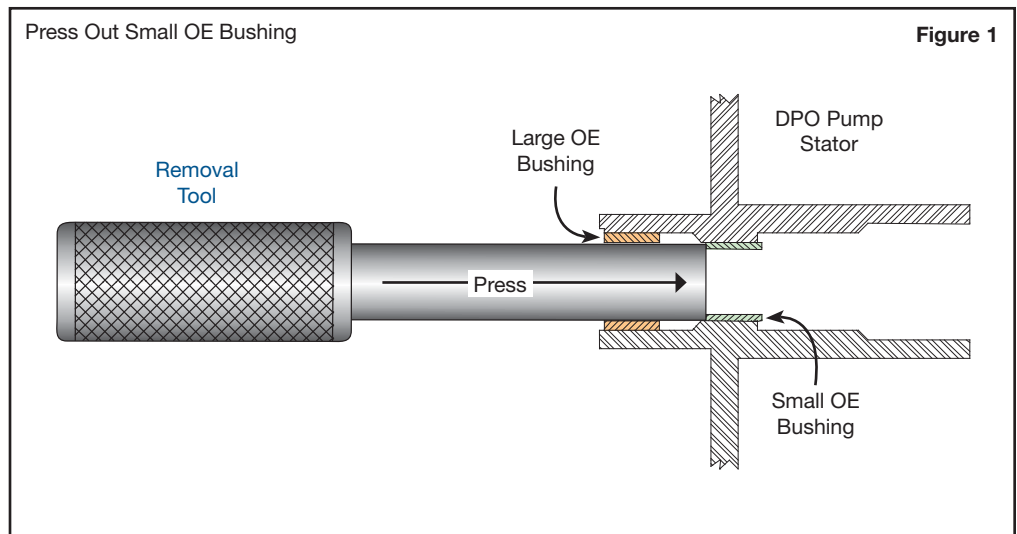
Renault/Peugot AL-4, DPO



1. Disassembly

Remove OE bushings from pump stator while minimizing any scoring of housing I.D. If using Sonnax removal tool kit **F-120003-TL** follow these instructions:

- Remove small bushing first by inserting tool shaft through larger bushing (**Figure 1**).
- Press smaller bushing out and away from larger bushing using only the tool handle.



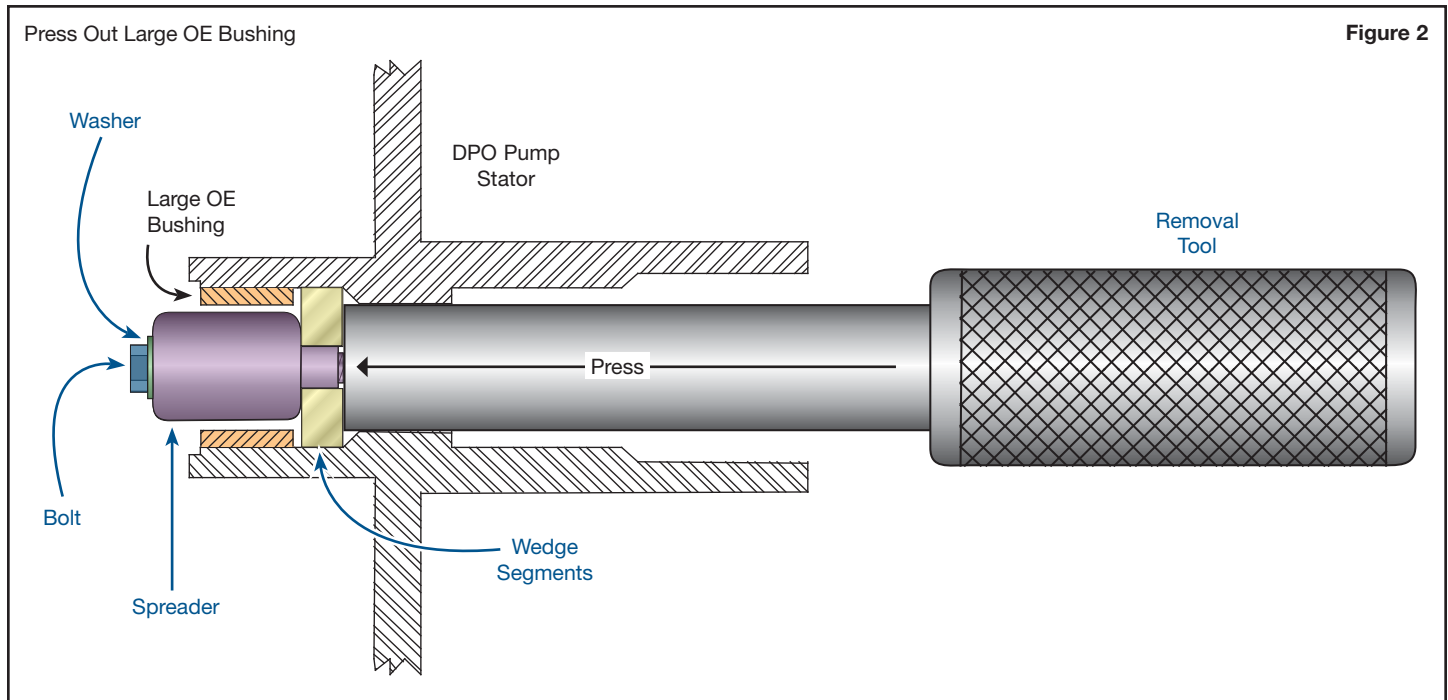


Figure 2

1. Disassembly (continued)

- c. Remove larger OE bushing by pressing out and away from the smaller bushing location (**Figure 2**). This requires all components included in Sonnax removal tool kit.
- d. Insert Sonnax removal tool from the smaller bushing side so that it is about 1cm away from the inner edge of the larger bushing. The knurled handle should be placed in the down position so that you're able to look down through the bushing and see the threaded hole on the tool.
- e. Place four individual Sonnax wedge segments around threaded hole and position them at the outer edge of the housing. The wedge segments should be located below the inner edge of the bushing.
- f. Insert Sonnax spreader into the bushing so that the spreader's smaller diameter fits into the inner radius of four Sonnax wedge segments.
- g. Place Sonnax washer on Sonnax bolt and through Sonnax spreader. Then thread into Sonnax removal tool.
- h. Bushing is now ready to be pressed out of housing.

2. Installation & Assembly



NOTE: Remove any OE staking marks from the outside lip of the bushing bores to prevent damage to new bushings and to ease installation.

- a. Both Sonnax bushings will be installed from the left side (**Figures 1 & 2**). The Sonnax tool is not used for installation. Use standard bushing installers. Bushings are chamfered on both ends and can be installed either way.
- b. Install Sonnax small, inner bushing. The OE bushing bore lip has a small chamfer, set Sonnax small bushing down even with the bottom edge of the chamfer.
- c. Install Sonnax large, outer bushing flush with bottom of recessed step.
- d. Use light staking (similar to OE) on larger outer bushing to prevent bushing from backing out.