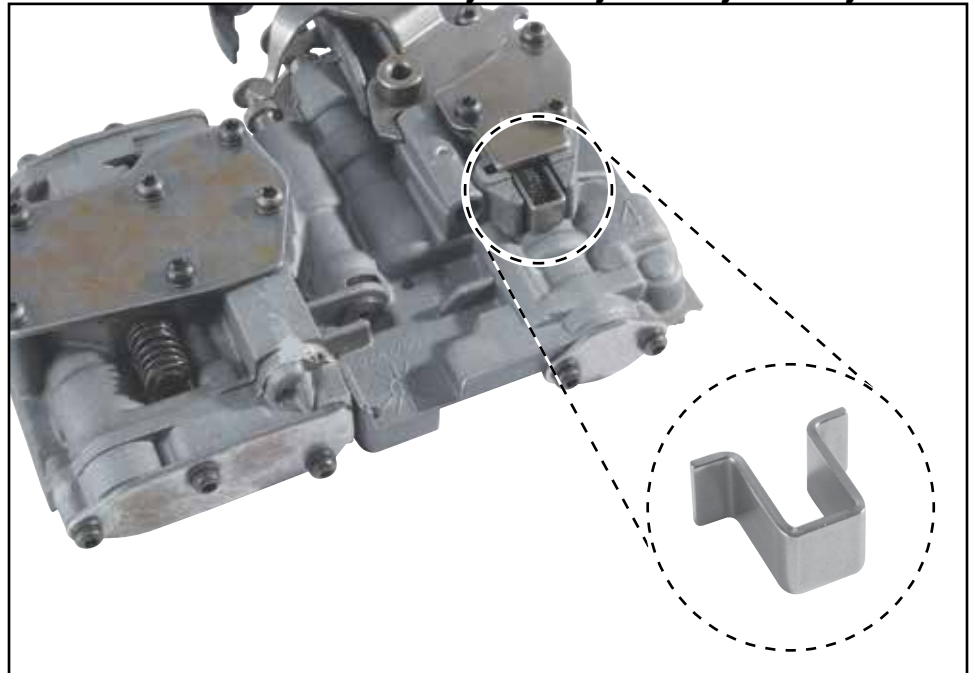


**Chrysler 42RE, 42RH, 46RE, 46RH,  
47RE, 47RH, 48RE, A727, A904**

**Boost Valve Spring  
Retainer**

**Part No.**  
**22990-01**

• Spring Retainers (5)



**1. Disassembly**

- a. Remove cover plate, OE retainer, spring and valve.
- b. Retain OE cover plate, valve and spring for reuse.
- c. Discard OE retainer.

**2. Installation & Assembly**

- a. Reinstall OE valve and spring.
- b. Install Sonnax retainer.
- c. Reinstall OE cover plate.