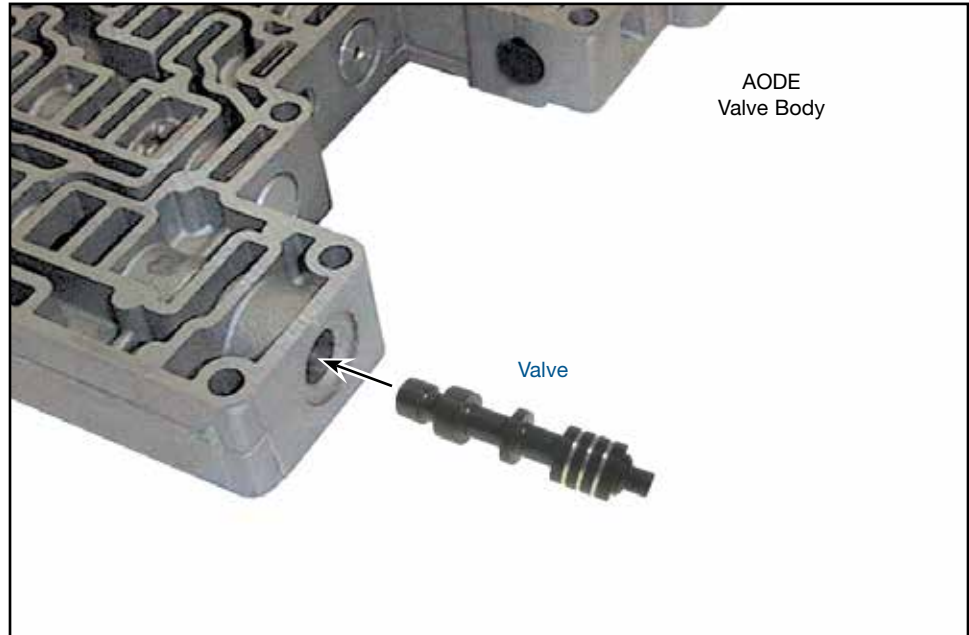


**Ford 4R70W, AODE**

**Main Pressure Regulator Valve**

**Part No.**  
**76948-01**

**NOTE:** Replaces '95-earlier 4-spool valves only. DOES NOT replace 3-spool valves.



**1. Identify**

Identify early vs late valve body (Figures 1 & 2).

**2. Disassembly**

a. Remove OE retainer, boost assembly and spring. Set aside for reuse.



**NOTE:** If a second, small Reverse boost spring is included in the boost assembly, it must be reinstalled during reassembly.

b. Remove and discard OE pressure regulator valve.

**3. Installation & Assembly**

- Ensure valve bore and body are clean and clear of debris.
- Lubricate and install Sonnax valve.
- Reinstall OE spring.
- Reinstall or replace OE boost assembly. If OE boost assembly had a small spring, reinstall spring.
- Secure with OE retainer.

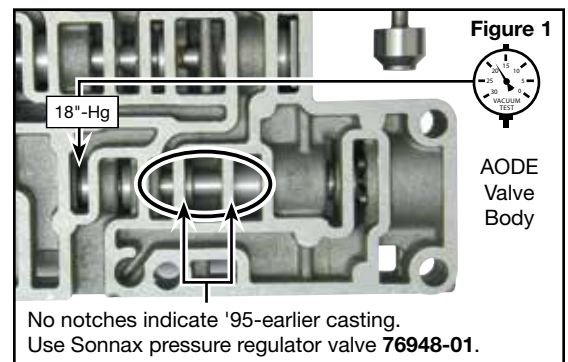
**4. Final Testing**

Vacuum testing at the port(s) indicated holds the recommended minimum 18 in-Hg (Figure 1).



**TECH TIP:** If final vacuum test numbers are not high enough, excess bore wear is indicated. In these cases Sonnax oversized pressure regulator and boost valve kit should be installed instead.

**'95-Earlier Valve Body = No Casting Notches**



**'96-Later Valve Body = Casting Notches Present**

