

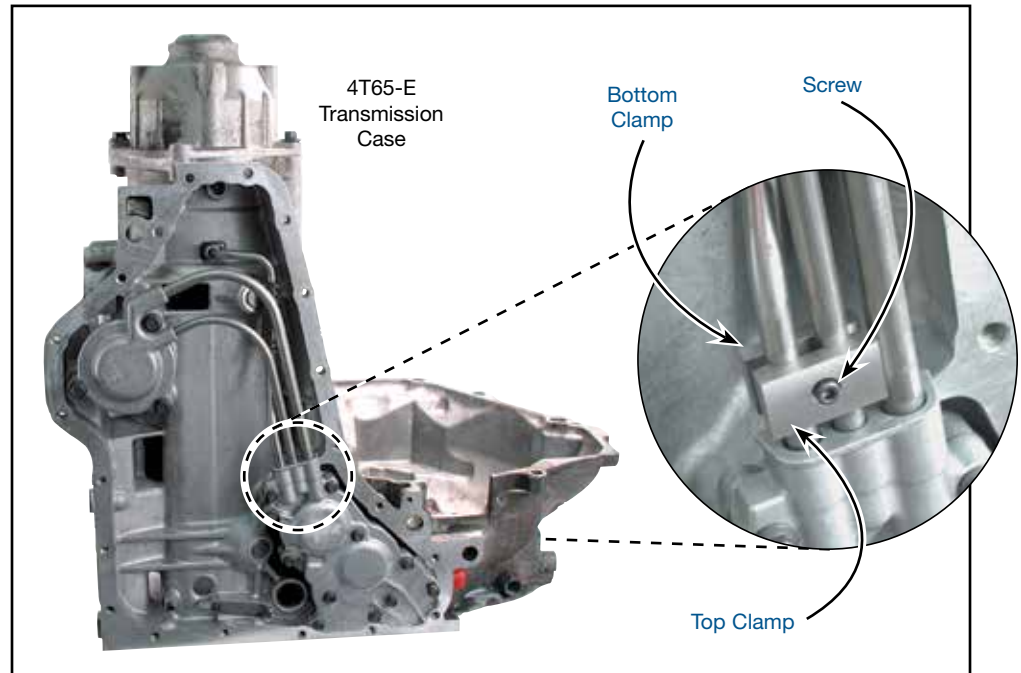
**Differential Lube  
Tube Retainer Kit**

**Part No.**  
**84532-01K**



- Top Clamp
- Bottom Clamp
- Screw

**GM 4T60-E, 4T65-E**



1. Place threaded bottom clamp lube tube retainer between the tubes and the case.
2. Place top clamp over the tubes.
3. Apply a small amount of Loctite<sup>®</sup> 242 (blue) on the socket head cap screw provided.
4. Bolt the two halves together.