

**Aisin AW TF-60SN, TF-80SC, TF-81SC;  
Mini 6F21WA; VW/Audi 09G, 09K, 09M**

**Oversized Three-Spool Relay/Control/Switch Valve Kit**



**Part No.**  
**15741-50K**

- Valve
- End Plug

**NOTE:** This kit can be used in any of six locations in five different valve body applications. See chart **Figure 1** and identification photos **Figures 2, 3 & 4** for details.

**Tool Kit**

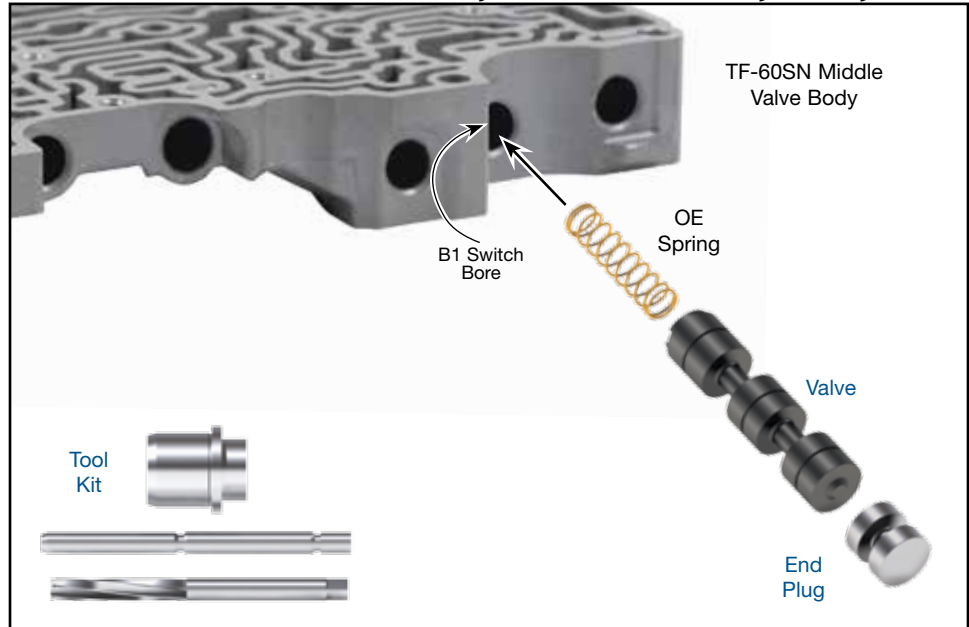


**Part No.**  
**F-33741B-TL1**

- Reamer
- Reamer Jig
- Guide Pin

**NOTE:** Sonnax “F-Tool” kits designed to service a specific bore require the VB-FIX, a self-aligning valve body reaming fixture. More information and instructions can be found online at [www.sonnax.com](http://www.sonnax.com).

This tool kit also can be used with Sonnax kits **15741-49K** and **33741B-01** Audi 01J oversized safety valve.



Application	Valve Body Section	Valve Name	Affected Gears
<b>TF-60SN (VW 09G) 6F21WA</b>	Middle Valve Body	B1 Switch	2nd & 6th
	Upper Valve Body #1	K3 Control	3rd, 5th & Reverse
<b>TF-80SC</b>	Middle Casting	B1/C3 Relay	2-3, 3-2, 5-6 & 6-5
		B1/C3 Switch	2-3, 3-2, 5-6 & 6-5
<b>TF-81SC</b>	Middle Valve Body	B1/C3 Relay	2-3, 3-2, 5-6 & 6-5
		B1/C3 Switch	2-3, 3-2, 5-6 & 6-5

**1. Valve Bore ID & Disassembly**

Locate and positively identify the valve body bore that needs repair.



**NOTE:** See chart (**Figure 1**) and photo identifications (**Figures 2, 3 & 4**) for important information on applications, bore locations, installation orientations and affected gears.

**2. Disassembly**

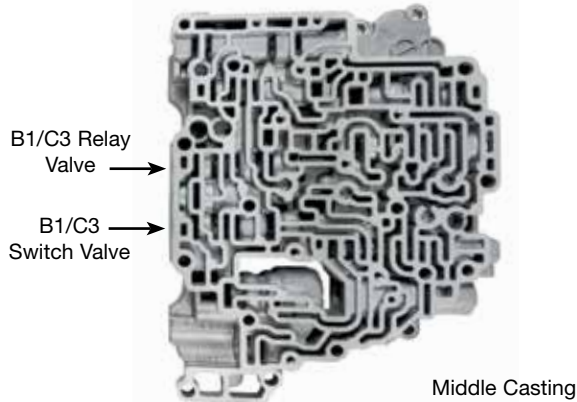
- Remove OE valve train.
- Save OE spring and end plug retainer for reuse, and discard OE valve and end plug.

**2. Bore Preparation**

- Ream intended bore (for reaming instructions/reamer care, please visit [www.sonnax.com](http://www.sonnax.com)). Sonnax reaming tool kit **F-33741B-TL1** and **VB-FIX** are required for this operation.

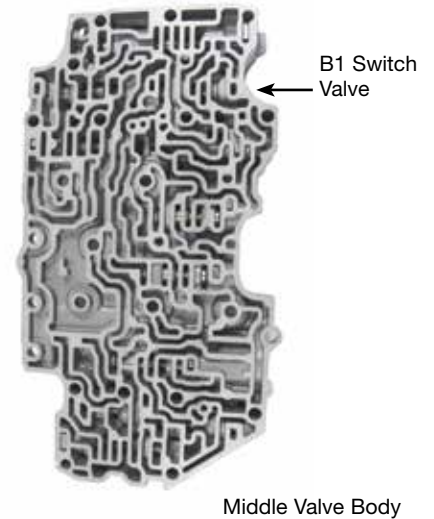
**TF-80SC Valve Body • Three-Spool Relay/Control/Switch Valve Locations**

**Figure 2**



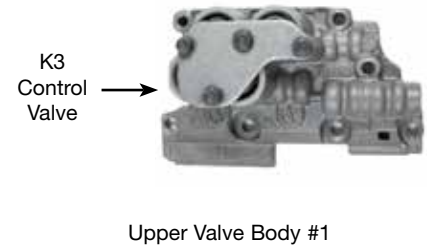
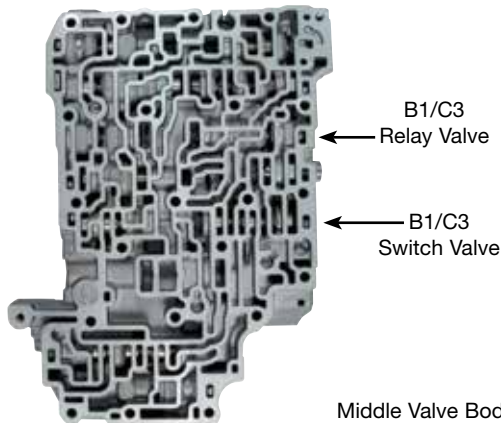
**TF-60SN Valve Body  
Three-Spool Relay/Control/Switch  
Valve Locations**

**Figure 4**



**TF-81SC Valve Body • Three-Spool Relay/Control/Switch Valve Locations**

**Figure 3**

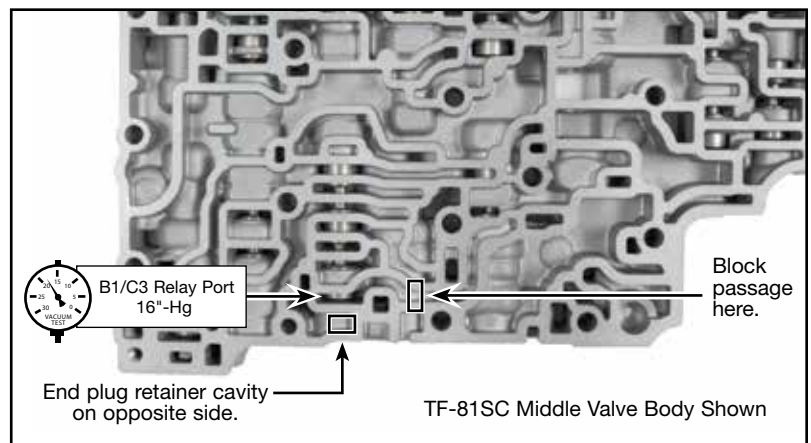


#### 4. Installation & Assembly

- Reinstall OE spring into the reamed bore.
- Install Sonnax valve with the spring pocket end going into the bore first as shown (**main photo**).
- Be certain that the spring sits into the valve spring pocket and does not catch the edge of the valve adjacent to the spring pocket.
- Install Sonnax end plug.
- Reinstall OE end plug retainer to secure Sonnax end plug.

#### 5. Final Testing

Vacuum testing at the port(s) indicated holds the recommended minimum 16 in-Hg (**Figure 5**).



**NOTE:** The vacuum test above for the B1/C3 Relay Port in TF-81SC application is an example of a typical port location. All the other valves should be checked similarly at the port associated with the plug-to-valve spool interface.