

Oversized Secondary Pressure Regulator Valve Kit

Part No.
47740-26K

- Valve
- End Plug



Tool Kit

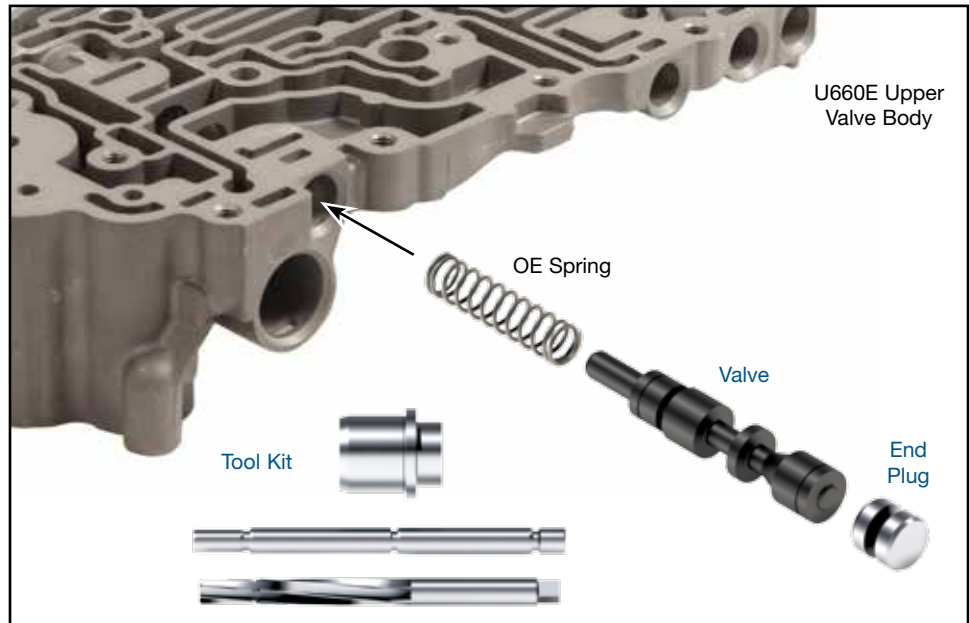
Part No.
F-47740-TL26

- Reamer
- Reamer Jig
- Guide Pin



NOTE: Sonnax “F-Tool” kits designed to service a specific bore require the VB-FIX, a self-aligning valve body reaming fixture. More information and instructions can be found online at www.sonnax.com.

Toyota/Lexus U660E, U660F, U760E



1. Disassembly

- Remove OE retaining clip and keep for reuse.
- Remove and discard OE end plug and valve.
- Remove OE spring and save for reuse.

2. Bore Preparation

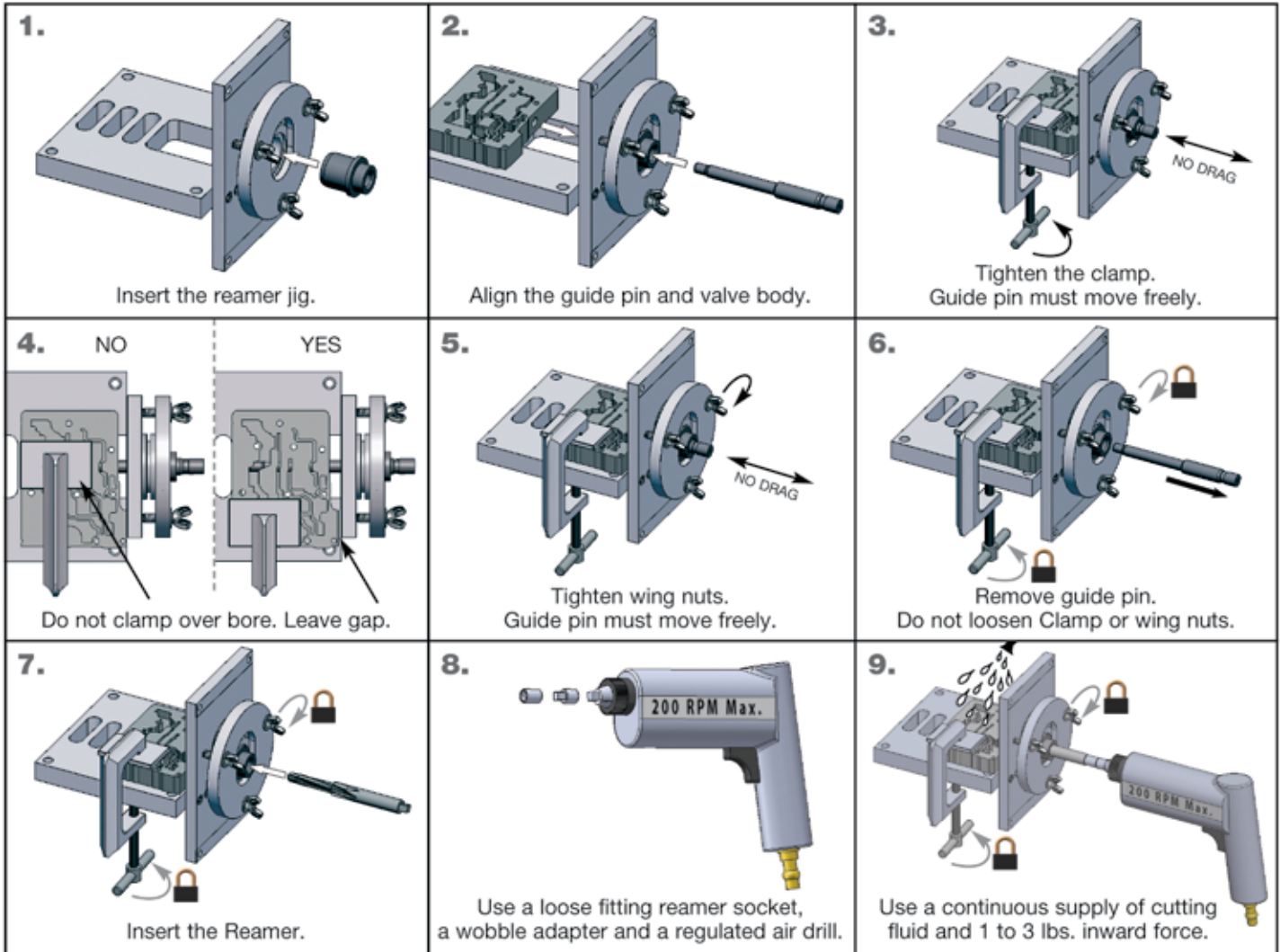
- Clean the bore thoroughly in a solvent tank.
- Generously lubricate the bore and reamer with cutting fluid (i.e. Mobilmet S-122, Lubegard[®] Bio-Tap, Tap Magic[™], etc.). For best results, provide a continuous flow of water-soluble cutting fluid (i.e. Mobilmet S-122) during the reaming process.
- The reamers should be turned using a low RPM, high-torque air drill regulated to a maximum of 200 RPM.
- Examine the bore after cleaning for surface finish, debris and burrs. Flashing and burrs on the exit side of land and in bores must be carefully removed. A small piece of Scotch-Brite[™] material attached to a wire and powered with a drill motor is ideal for the task. Scotch-Brite[™] is a very abrasive material and all residual debris must be cleaned to ensure particles do not migrate or remain imbedded into the surface. Post cleaning involves several progressive steps with solvent on a lint-free rag.

CAUTIONS AND SUGGESTIONS:

- Turning the reamer backward will dull it prematurely.
- Pushing on the reamer will result in poor surface finish and inadequate and sporadic material removal.
- Never use a crescent wrench, ratchet or pliers to turn the reamer.
- A dull reamer will cut a smaller hole. Reamers can be sharpened, but should only be done by a professional tool sharpener. Actual life of a Sonnax reamer before resharpening or replacing averages 50-70 bores.

3. Bore Reaming

Use the associated "F-Tool" F-47740-TL26 kit and VB-FIX reaming fixture as illustrated below to ream the bore.



4. Installation & Assembly

- Be sure all debris has been removed from the valve bore and valve body.
- Reinstall OE spring.
- Install Sonnax valve, spring guide first.
- Install Sonnax end plug.
- Reinstall OE retaining clip.

5. Final Testing

Vacuum tests at the ports indicated hold the recommended minimum in-Hg.

