

1.65 Ratio Extreme Planetary Assembly Kit

Part No.

28165G-06SP

- Carrier Assembly & Output Shaft Short Length, 300M Shaft
- Front Sun Gear & Drum Flange 24-Tooth
- Ring Gear
- Reverse Clutch Piston with Seals 2 Seals
- Reverse Clutch Piston Plate
- Reverse Clutch Pressure Plate
- Reverse Clutch Frictions (7)
- Reverse Clutch Steels (8)

Patent No. 8,998,768

NOTE: The 24-tooth drum flange is designed to work exclusively with a Sonnax clutch drum.

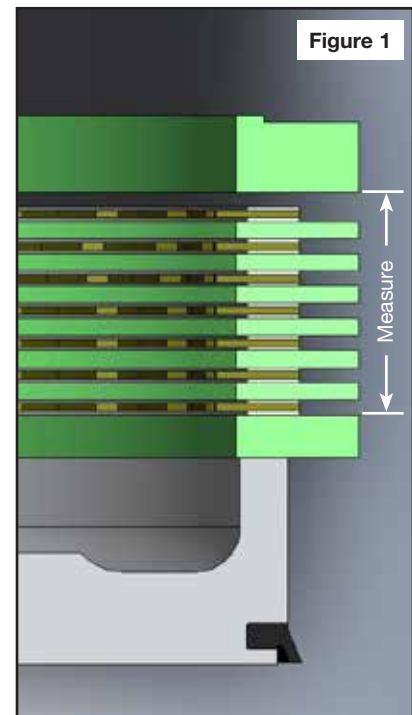
GM Powerglide



1. Set Reverse Clutch Clearance

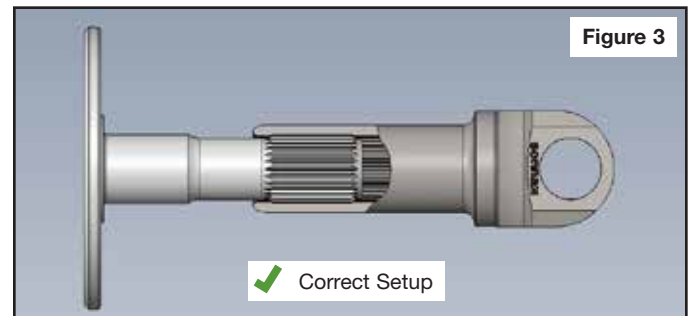
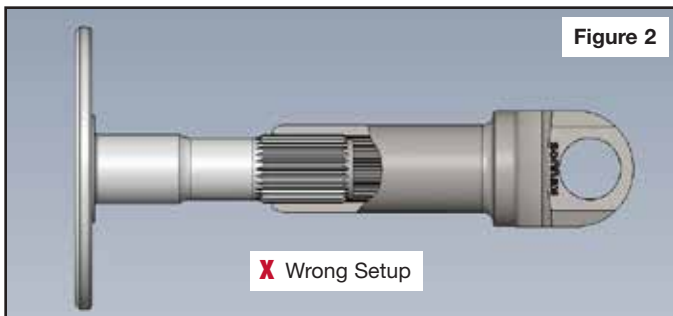
The Sonnax 1.65 ratio extreme planetary assembly kit includes seven frictions and eight steels as well as a pressure plate, piston plate and piston. The pressure plate and the piston plate can both be used as a reaction surface for the frictions.

- Install Sonnax Reverse clutch piston, piston plate and the pressure plate in the transmission case.
- Measure the distance between the bottom of the pressure plate to the top of the piston plate. This is your available space for clutch stack-up and clearance (**Figure 1**).
- If using all seven frictions and six steels, the piston face will need to be machined to achieve the desired clearance. Sonnax has included two extra steels with the kit to fill space when reducing the number of frictions from the maximum of seven down to four, five or six. The piston face may be machined as needed to adjust the total clearance. Recommended clearance is typically .009" to .013" per friction.



2. Short Shaft Setup

Sonnax high strength 300M output shafts with rolled splines are designed to maximize durability and minimize stresses. For optimal setup we recommend that the spline section of the shaft be completely buried into the yoke or drive coupler (**Figure 2 & Figure 3**).



Notes & Cautions

Pre-Drilled Ring Gear

Ring gear has been pre-drilled to accept Sonnax ring gear stabilizer kit **28510-S3**.

Use Premium Oil

For maximum gear longevity, a premium oil is required. Avoid non-synthetic Type F and low-cost Dex/Merc fluids as these oils are not suitable for the high loads in a racing gear-set. Consider partial or fully synthetic THF (tractor hydraulic fluid) used in wet-clutch gear box applications or other premium fluids.

Do Not Use Case as an Electrical Ground

Electrical arcing has been found in racing Powerglide gear-sets. Typical 16-volt systems draw 25% more amperage through all electrical devices. To prevent electrical arcing within the gear-set inside the transmission, do NOT use the transmission case as an electrical ground. All solenoids and electrical devices should have dedicated ground wires, of suitable gauge, run to a ground stud that is grounded by wire directly to the battery.