

**Aisin AW TF-60SN, TF-80SC, TF-81SC;
Mini 6F21WA; VW/Audi 09G, 09K, 09M**

**Oversized C1/K1
Clutch Control
Valve Kit**



Part No.

15741-55K

- Valve
- Springs (2) Selective Green or Purple
See Chart Figure 2, page 2

NOTE: Also fits Volvo (AM6), Opel (AF40), Saab (AF40/6), Ford (AF21) and Mazda (AW6A-EL).

Tool Kit

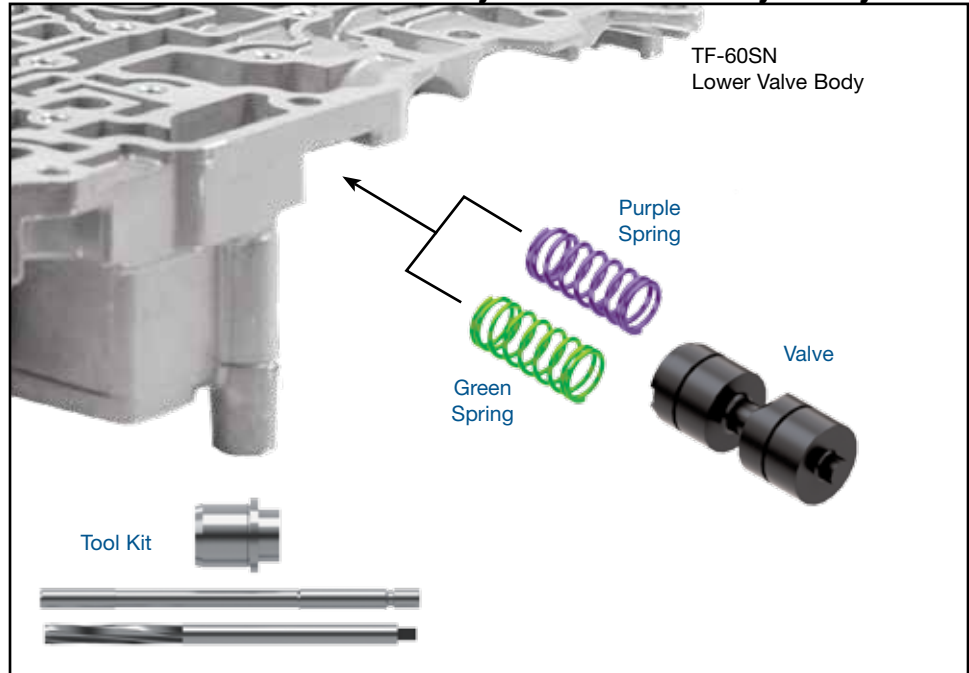


Part No.

F-15741-TL55

- Reamer
- Reamer Jig
- Guide Pin

NOTE: Sonnax “F-Tool” kits designed to service a specific bore require the VB-FIX, a self-aligning valve body reaming fixture. More information and instructions can be found online at www.sonnax.com.



CAUTION: Prior to removal of spring adjustment plug, measure and record distance from plug to the casting (**Figure 1**). This dimension must be matched during reassembly.

1. Disassembly

- Remove and save OE adjustment plug retaining clip.
- Measure and record adjustment plug-to-casting distance, then remove and save OE adjustment plug.
- Remove OE retaining pin and solenoid, set aside for re-use.
- Remove and discard OE valve and spring.

2. Bore Reaming

Ream C1/K1 clutch control valve bore (for reaming instructions/reamer care, please visit www.sonnax.com). Sonnax reaming tool kit **F-15741-TL55** and **VB-FIX** are required for this operation.



Figure 1

Location shown may not match your particular application; picture is to illustrate measuring procedure only.

3. Installation & Assembly

- Ensure all debris has been removed from valve bore and body.
- Reinstall OE spring adjustment plug and set to the reference dimension noted in disassembly procedure, then reinstall OE adjustment plug retaining clip.



NOTE: To reduce pressure loss past the spring adjustment plug threads, an ATF-compatible thread sealant can be used. Permatex® 24163 surface prep activator combined with blue Threadlocker works well for this purpose. Compound used must not create a permanent set.

- Select correct spring for the application (**Figure 2**). Install Sonnax spring, ensuring spring I.D. goes over spring adjuster nub and spring is secured in spring pocket during installation.
- Reinstall OE solenoid and retaining pin.

4. Final Testing

Vacuum tests at the ports indicated hold the recommended minimum 16 in-Hg and 18 in-Hg. (**Figure 3**).

Figure 2

| Spring Color | Unit |
|--------------|-------------------------------------------------------------------------------------------|
| Purple | TF-60SN, 6F21WA, 09G, 09K, 09M |
| Green | TF-80SC, TF-81SC (also fits: Volvo AM6, Opel AF40, Saab AF40/6, Ford AF21, Mazda AW6A-EL) |

