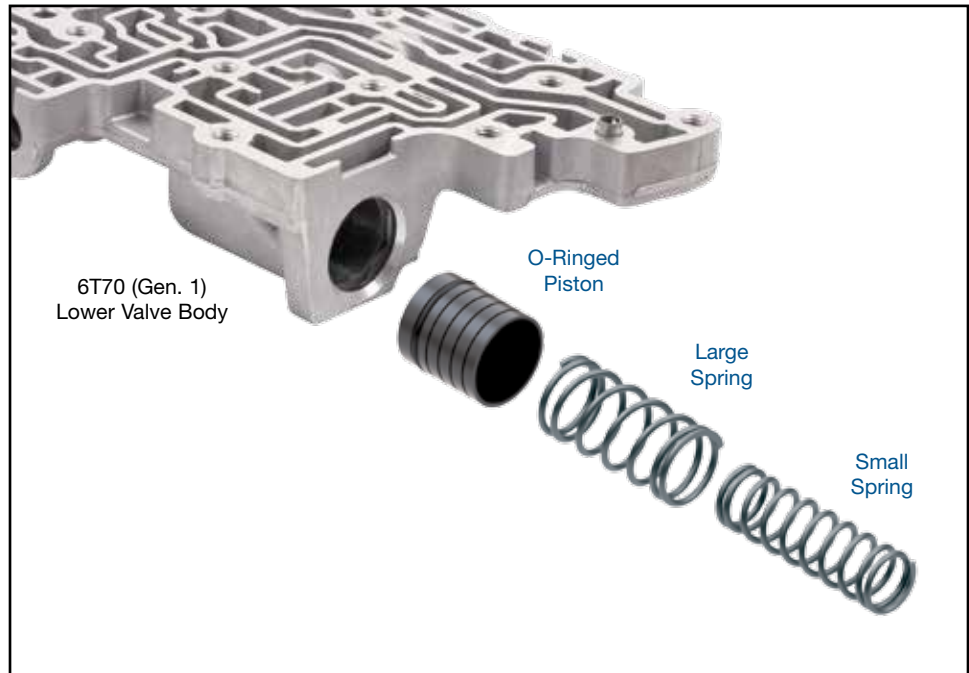


4-5-6 Accumulator Piston Kit

Part No.
124740-04K

- Piston
 - Spring
 - Spring
 - O-Rings (2)
- Small
Large
1 Extra

GM 6T70 (Gen. 1), 6T75 (Gen. 1)



1. Disassembly

- Remove OE retainer and save for reuse.
- Remove and discard OE piston and spring.

2. Installation & Assembly

- Place Sonnax O-ring in the Sonnax piston groove.
- Coat O-ring on piston with assembly lube or Sonnax Slippery Stick **O-LUBE** and roll on bench to size.
- Install piston, O-ringed end first into bore.
- Install both Sonnax springs.
- Secure components in bore with OE retainer.

3. Final Testing

Vacuum testing at the port indicated holds the recommended minimum 18 in-Hg.

