

Jatco/Nissan JF010E (RE0F09A/RE0F09B)

Pulley Bearing Kit

Part No.

33201G-01K

- Primary Pulley Bearing Cover-Side
- Primary Pulley Bearing Torque Converter-Side
- Secondary Pulley Bearing Cover-Side
- Internal Snap Ring

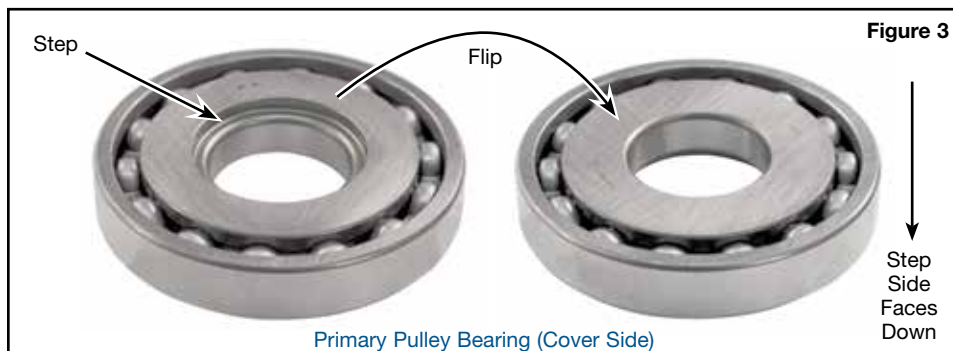
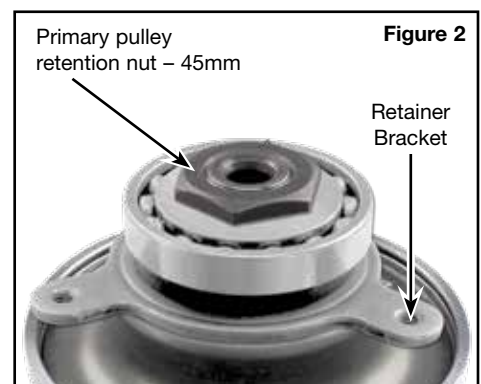
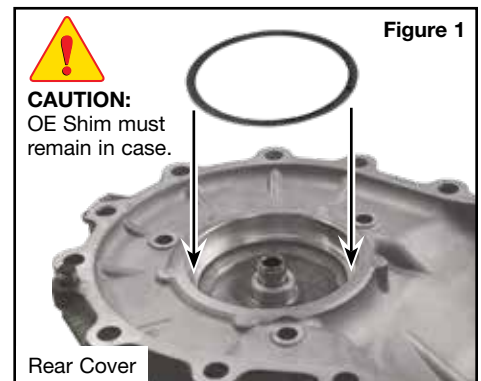


NOTE: Secondary pulley bearing does NOT fit RE0F09B units.



1. Remove & Replace Primary Pulley Cover-Side Bearing

- Remove pulley set from cover using applicable OE-style tools and methods.
- Ensure OE secondary bearing shim remains in cover (**Figure 1**). If shim comes out during pulley removal from cover, ensure it is reinstalled into cover before reassembly.
- Remove OE bearing retention nut (45mm) from cover-side of primary pulley assembly and set aside for reuse (**Figure 2**).
- Remove OE cover-side bearing from primary pulley assembly and discard. If bearing retainer bracket comes off during bearing removal, ensure it is reinstalled before proceeding.
- Press Sonnax cover-side primary bearing onto pulley assembly with inner diameter "step" side facing down (**Figure 3**).
- Reinstall and tighten OE bearing retaining nut.

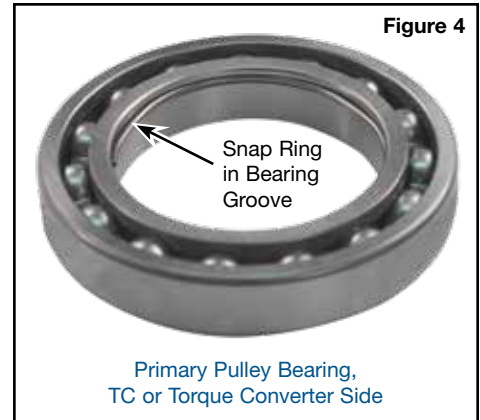


2. Remove & Replace Primary Pulley Torque Converter-Side Bearing



WARNING: This bearing is interference-fit, but is also secured with a hidden inner snap ring. The snap ring will be destroyed and break loose as bearing is pulled off. Use extreme CAUTION when removing this bearing as it can suddenly release from the pulley shaft with high force when snap ring disengages.

- Remove and discard OE TC-side bearing. Use caution as the bearing may come off with high force!
- Install Sonnax snap ring into Sonnax bearing groove (**Figure 4**).
- Start bearing onto hub, snap ring side facing down. Ensure snap ring remains in groove during bearing placement.
- Press bearing onto hub until snap ring engages hub groove.



3. Remove & Replace Secondary Pulley Cover-Side Bearing

- Remove OE bearing retention nut (55mm) from cover side of secondary pulley assembly and set aside for reuse (**Figure 5**).
- Remove and discard OE secondary pulley bearing. If bearing retainer bracket comes off during bearing removal, ensure it is reinstalled before proceeding.
- Press Sonnax secondary bearing onto hub, "step" side facing down (**Figure 6**). Ensure bearing step fits into retainer.
- Reinstall and tighten OE bearing retaining nut.
- Prior to reinstallation of pulley assemblies into cover, ensure OE secondary bearing shim is in place in cover (**Figure 1**).
- Reinstall primary and secondary pulley assembly into cover using applicable OE-style tools and methods.

