



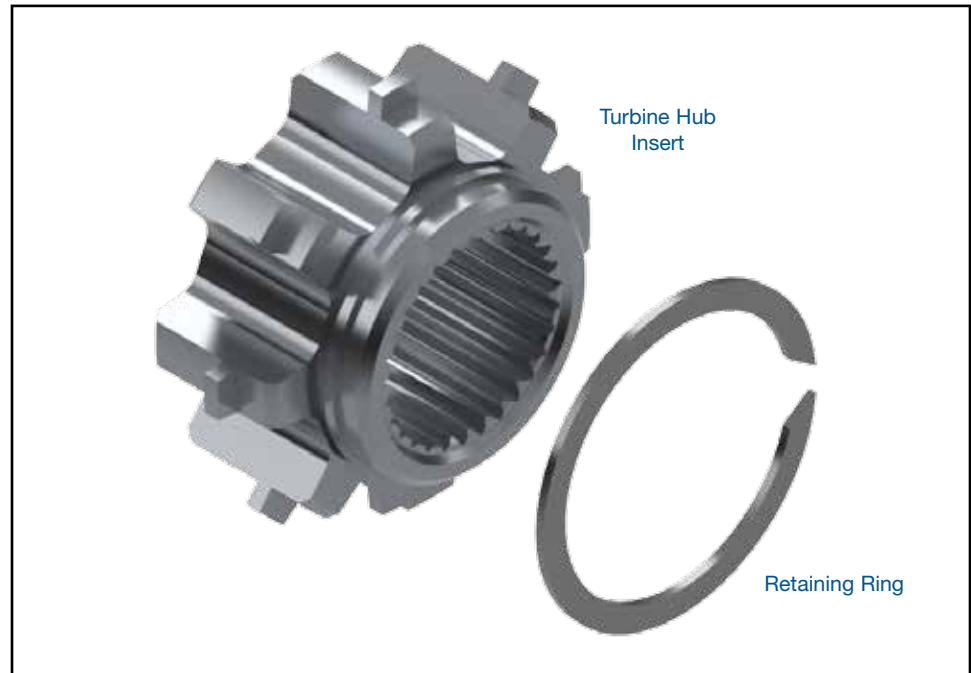
Turbine Hub Insert Kit

Part No.

CH-HT-28HSK

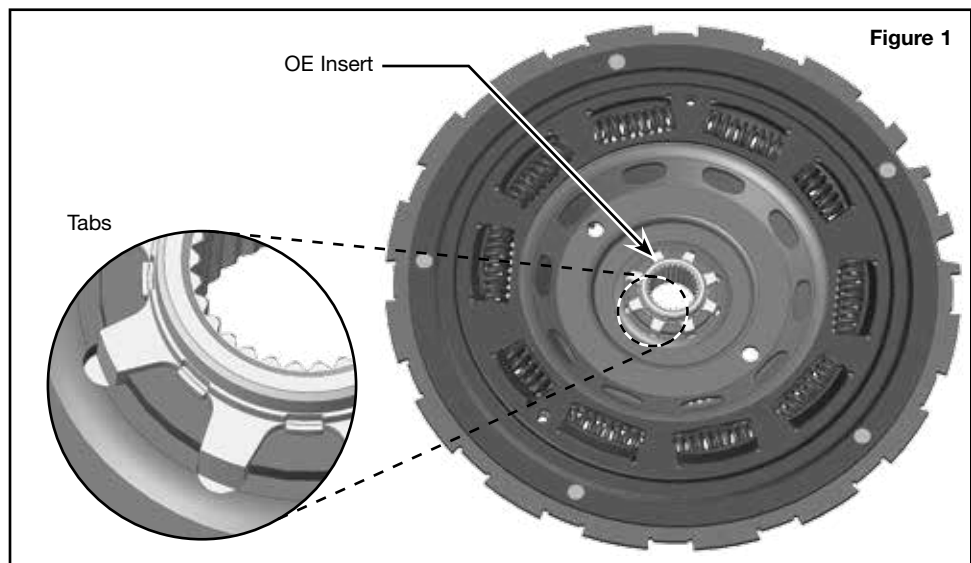
- Turbine Hub Insert
- Retaining Ring

Chrysler 45RFE, 545RFE



1. Dissassembly

- Separate converter halves and remove damper assembly.
- Remove turbine hub insert from damper assembly by carefully pressing insert out, shearing off the tabs. Alternately, carefully mill the tabs away without removing material from the damper plate (**Figure 1**). Discard OE hub insert.





TORQUE CONVERTER PARTS

TURBINE HUB INSERT KIT CH-HT-28HSK

Instructions

2. Assembly

- a. Measure and record Sonnax insert dimension "A" (**Figure 2**). Measure and record OE damper assembly dimension "B" (**Figure 3**).
 - If Dimension "A" is *more* than Dimension "B": Proceed to step "b".
 - If Dimension "A" is *less* than dimension "B": Machine surface "C" (**Figures 3 & 4**) of the damper assembly so that dimension "B" is equal to or .005" *less* than dimension "A".
- b. Place Sonnax insert into damper assembly (**Figure 4**) and secure with Sonnax retaining ring.

