

**Oversized Converter Relief Valve Kit**



**Part No.**  
**74846-08K**

- Valve
- Spring

**Tool Kit**

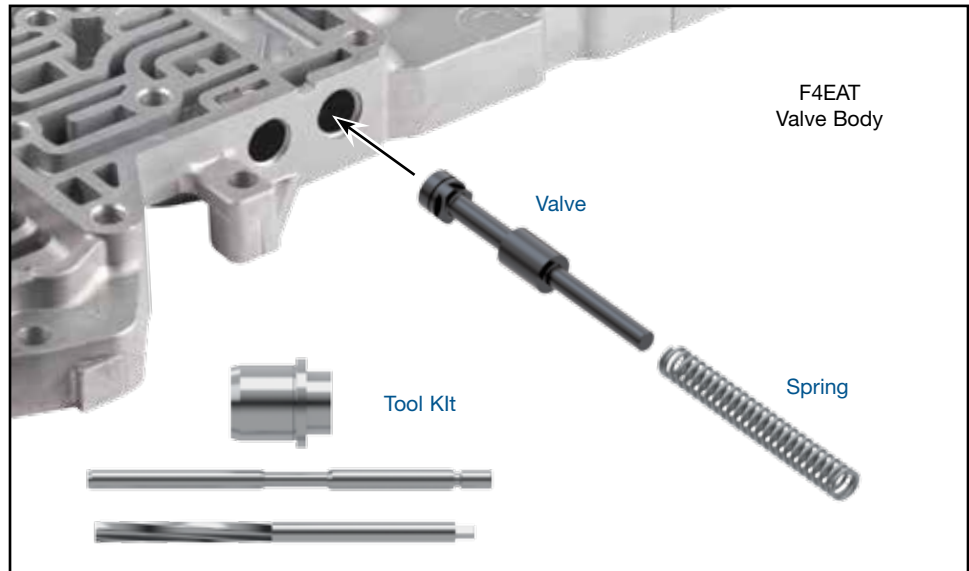


**Part No.**  
**F-74846-TL8**

- Reamer
- Reamer Jig
- Guide Pin

**NOTE:** Sonnax “F-Tool” kits designed to service a specific bore require the VB-FIX, a self-aligning valve body reaming fixture. More information and instructions can be found online at [www.sonnax.com](http://www.sonnax.com).

**Mazda F4A-EL, F4EAT, FA4A-EL**



**1. Disassembly**

- Remove OE retainer clip and set aside for reuse.
- Remove OE converter relief valve and spring and discard.

**2. Bore Reaming**



**WARNING:** To ensure correct bore alignment, place casting on VB-FIX with bolt bosses facing upward as shown (Figure 1).

Ream converter relief bore (for reaming instructions/reamer care, please visit [www.sonnax.com](http://www.sonnax.com)). Sonnax reaming tool kit **F-74846-TL8** and **VB-FIX** are required for this operation.

**3. Installation & Assembly**

- Ensure all debris has been removed from valve bore and body.
- Install Sonnax converter relief valve.
- Install Sonnax spring and secure with OE retainer clip.

**4. Final Testing**

Vacuum testing at the port(s) indicated holds the recommended minimum 18 in-Hg (Figure 2).

