

**TAAT  
Remanufactured  
Valve Body**

(Late-'92-Later)

**Part No.**

**SAT005**

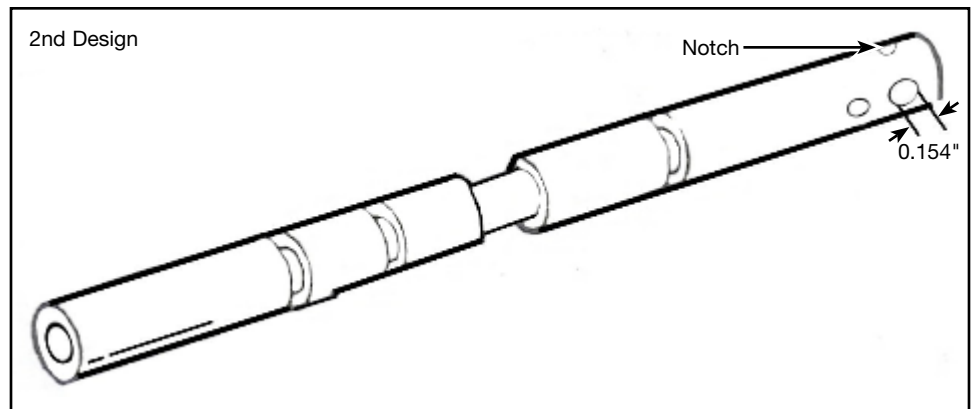
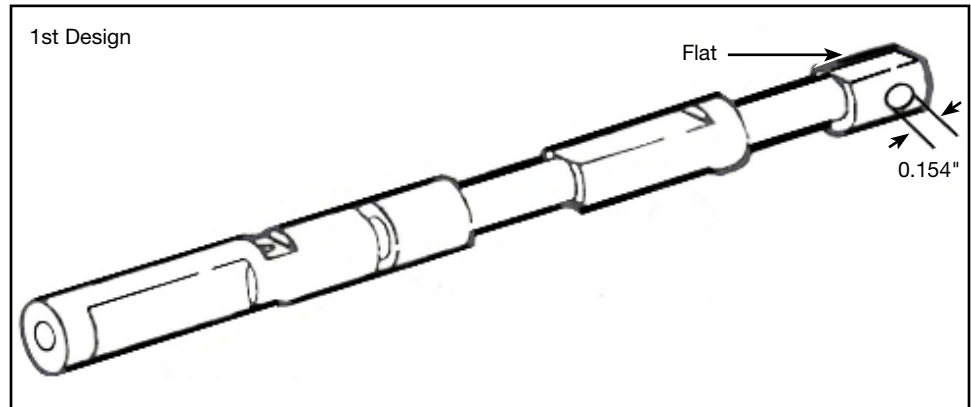
**TAAT  
Remanufactured  
Valve Body**

('91-Early-'92)

**Part No.**

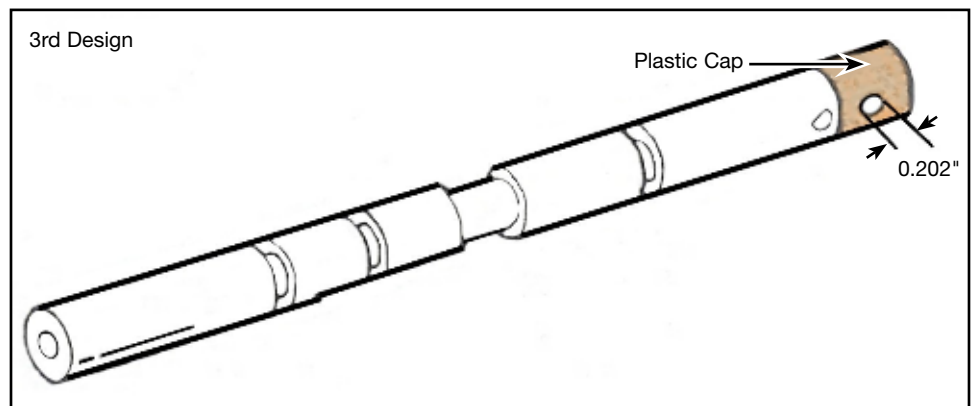
**SAT001**

**Manual Valve Installation**



First ('91-early '92) or second design (late '92-later) manual valves for the Saturn TAAT are used with the flat manual valve link. They should be installed with flat (first design) or notch (second design) facing up.

The third design ('94-later) manual valve is used with the wire-type manual valve link and can only be installed one way.



Torque valve body bolts in sequence shown: 80 in-lbs

