

Oversized Pressure Regulator Valve Kit

Part No.
95740-78K

- Valve
- Sleeve

NOTE: Fits ZF6HP19, ZF6HP26 & ZF6HP32 units that use a 053 separator plate ONLY.

Tool Kit

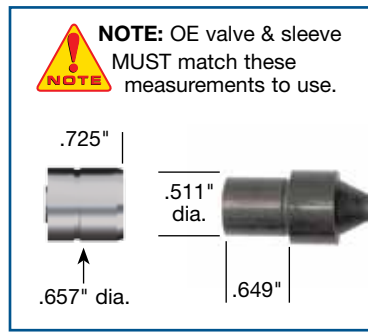
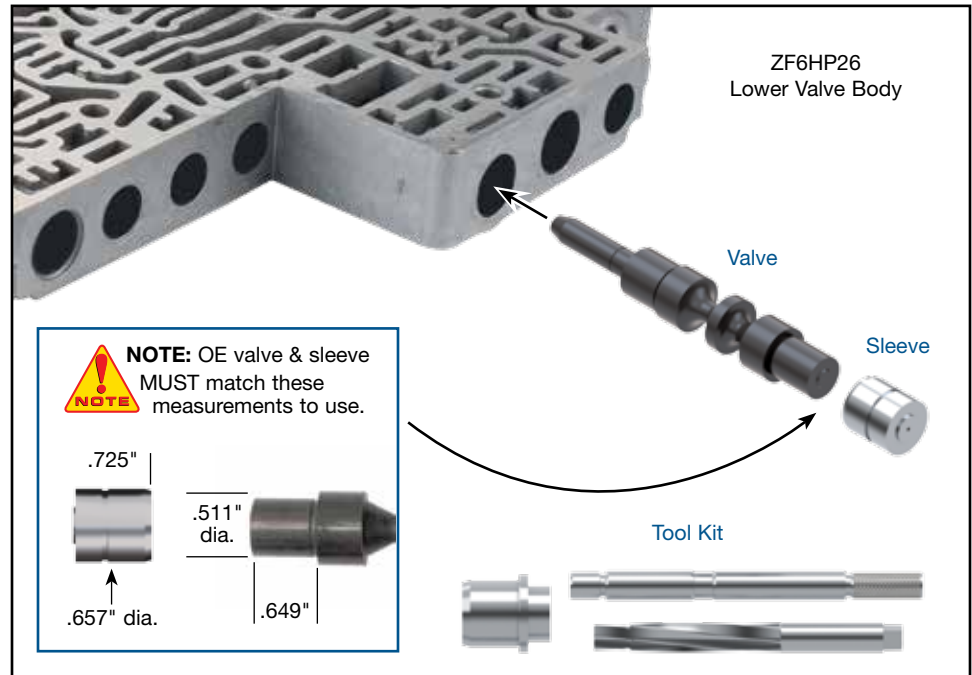
Part No.
F-95740-TL78

- Reamer
- Reamer Jig
- Guide Pin

NOTE: Sonnax “F-Tool” kits designed to service a specific bore require the VB-FIX, a self-aligning valve body reaming fixture. More information and instructions can be found online at www.sonnax.com.



ZF6HP19, ZF6HP26, ZF6HP32



1. Disassembly

- Remove OE retainer and set aside for reuse.
- Remove and discard OE pressure regulator sleeve and valve.
- Remove and save OE spring.

2. Bore Reaming

Ream pressure regulator bore (for reaming instructions/reamer care, please visit www.sonnax.com). Sonnax reaming tool kit **F-95740-TL78** and **VB-FIX** are required for this operation.

3. Installation & Assembly

- Ensure all debris has been removed from valve bore and body.
- Reinstall OE spring.
- Install Sonnax pressure regulator valve and sleeve.
- Reinstall OE retainer.

4. Final Testing

Vacuum testing at the port(s) indicated holds the recommended minimum 16 in-Hg (**Figure 1**).

NOTE: Valve must be positioned as shown (**Figure 2**) to obtain an accurate vacuum test. A 6mm Allen socket and a screw driver works well for this procedure. Screw driver pushes sleeve outboard while the Allen socket positions the valve inboard. Vacuum test plate corner will fit snugly between screwdriver and socket to test outer port.

