

## Oversized VSTV Valve



Part No.  
**33741Q-01**

## Tool Kit

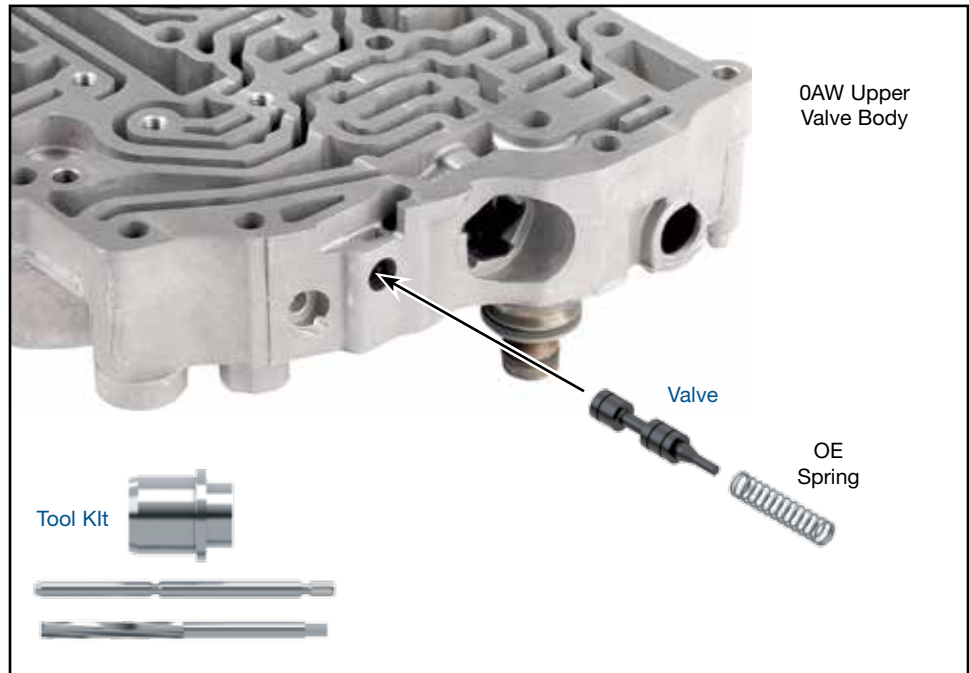


Part No.  
**F-33741Q-TL**

- Reamer
- Reamer Jig
- Guide Pin

**NOTE:** Sonnax "F-Tool" kits designed to service a specific bore require the VB-FIX, a self-aligning valve body reaming fixture. More information and instructions can be found online at [www.sonnax.com](http://www.sonnax.com).

## VW/Audi OAW



### 1. Disassembly

- Remove OE retainer and spring and set aside for reuse.
- Remove and discard OE valve.

### 2. Bore Reaming

Ream VSTV bore (for reaming instructions/reamer care, please visit [www.sonnax.com](http://www.sonnax.com)). Sonnax reaming tool kit **F-33741Q-TL** and **VB-FIX** are required for this operation.

### 3. Installation & Assembly

- Ensure valve bore and body are clean and clear of debris.
- Install Sonnax valve with stem facing outward.
- Reinstall OE spring and secure with OE retainer.

### 4. Final Testing

Vacuum testing at the port(s) indicated holds the recommended minimum 18 in-Hg.

