

**Oversized MDV
Minimum Pressure
Valve Kit**



Part No.
33741B-14K

- Valve
- O-Ring

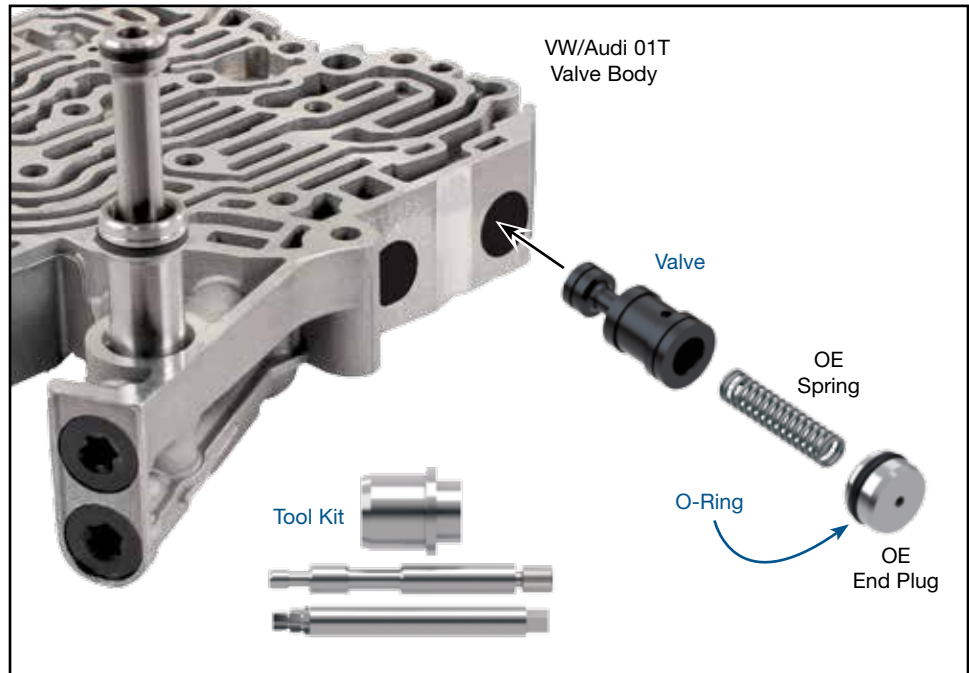
Tool Kit



Part No.
F-33741B-TL14

- Reamer
- Reamer Jig
- Guide Pin

NOTE: Sonnax “F-Tool” kits designed to service a specific bore require the VB-FIX, a self-aligning valve body reaming fixture. More information and instructions can be found online at www.sonnax.com.



NOTE: Do not move, or remove, the two valve body casting alignment pins. Do not disassemble the nested tubes feeding the variable displacement cylinder for pulley set 2. The alignment pins and nested tubes DO NOT hinder fixturing the valve body on the VB-FIX.

1. Disassembly

- Remove OE retainer pin and save for reuse.
- Remove OE end plug and separate end plug and O-ring. Discard O-ring and save end plug for reuse.
- Remove and save OE spring for reuse.
- Remove OE valve and discard.

2. Bore Reaming

Ream MDV minimum pressure valve bore (for reaming instructions/reamer care, please visit www.sonnax.com). Sonnax reaming tool kit **F-33741B-TL14** and **VB-FIX** are required for this operation.

3. Installation & Assembly

- Ensure all debris has been removed from reamed valve bore and body.
- Install Sonnax valve into bore, spring pocket outboard.
- Install OE spring into bore.

- Install Sonnax O-ring onto OE end plug.
- Lube O-ring with ATF and reinstall OE end plug with new O-ring into bore.
- Install OE retainer pin.

4. Final Testing

Vacuum testing at the port(s) indicated holds the recommended minimum 18 in.-Hg.

