

## Oversized TCC Modulator Plunger Valve Kit



Part No.

**56947J-81K**

- Valve .288" Dia.
- Sleeve
- Retainer

**NOTE:** Increased Ratio.

## Tool Kit



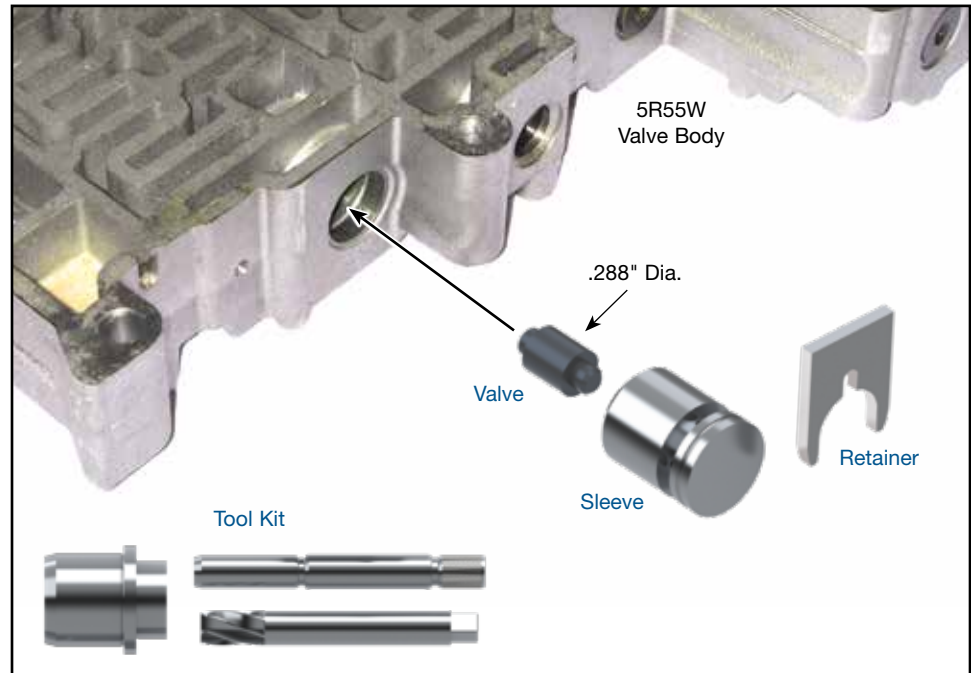
Part No.

**F-56947J-TL80**

- Reamer
- Reamer Jig
- Guide Pin

**NOTE:** Sonnax "F-Tool" kits designed to service a specific bore require the VB-FIX, a self-aligning valve body reaming fixture. More information and instructions can be found online at [www.sonnax.com](http://www.sonnax.com).

## Ford 5R55S, 5R55W



### 1. Disassembly

- Remove OE clip, sleeve and valve and discard.
- Remove inboard TCC modulator valve and spring and save for reuse if not installing Sonnax **56947J-15K**.

### 2. Bore Reaming

Ream TCC modulator sleeve casting bore (for reaming instructions/reamer care, please visit [www.sonnax.com](http://www.sonnax.com)). Sonnax reaming tool kit **F-56947J-TL80** and **VB-FIX** are required for this operation.

### 3. Installation & Assembly

- Be certain all debris has been removed from the valve bore and valve body.
- Reinstall OE TCC modulator valve and spring, with spring and spring pocket inboard.
- Install Sonnax oversized TCC modulator sleeve and plunger valve assembly.
- Install Sonnax retaining clip to secure components in bore.

### 4. Final Testing

Vacuum testing at the port(s) indicated holds the recommended minimum 18 in.-Hg.

