

Oversized TCC Modulator Plunger Valve Kit



Part No.

56947J-82K

- Valve .247" Dia.
- Sleeve
- Retainer

NOTE: OE Ratio. Fits 4.6L engines.

Tool Kit



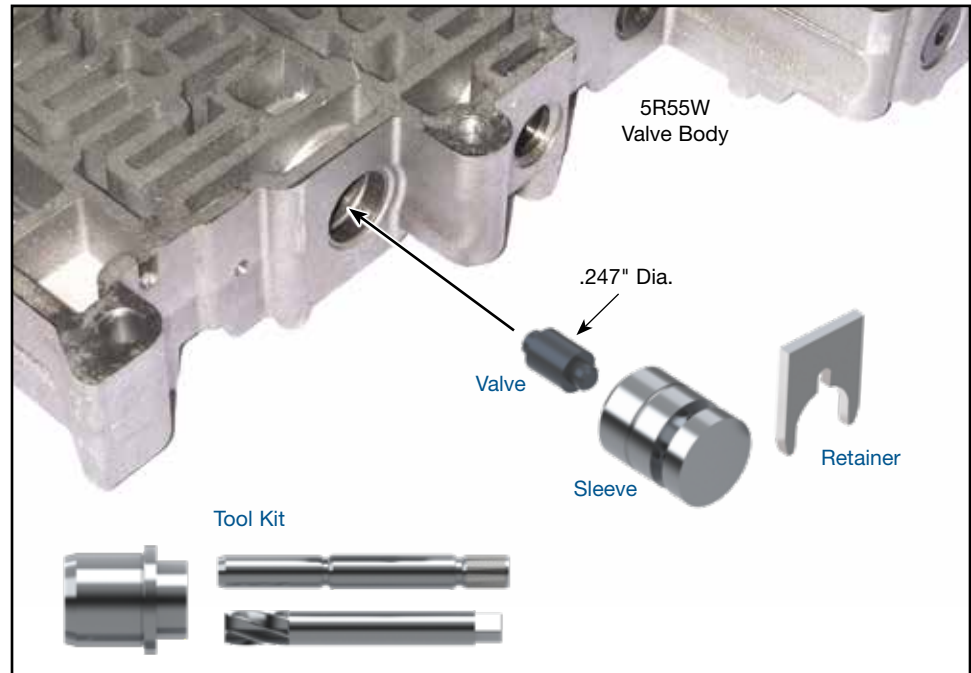
Part No.

F-56947J-TL80

- Reamer
- Reamer Jig
- Guide Pin

NOTE: Sonnax "F-Tool" kits designed to service a specific bore require the VB-FIX, a self-aligning valve body reaming fixture. More information and instructions can be found online at www.sonnax.com.

Ford 5R55S, 5R55W



1. Disassembly

- Remove OE clip, sleeve and valve and discard.
- Remove inboard TCC modulator valve and spring and save for reuse if not installing Sonnax **56947J-15K**.

2. Bore Reaming

Ream TCC modulator sleeve casting bore (for reaming instructions/reamer care, please visit www.sonnax.com). Sonnax reaming tool kit **F-56947J-TL80** and **VB-FIX** are required for this operation.

3. Installation & Assembly

- Be certain all debris has been removed from the valve bore and valve body.
- Reinstall OE TCC modulator valve and spring, with spring and spring pocket inboard.
- Install Sonnax oversized TCC modulator sleeve and plunger valve assembly.
- Install Sonnax retaining clip to secure components in bore.

4. Final Testing

Vacuum testing at the port(s) indicated holds the recommended minimum 18 in.-Hg.

