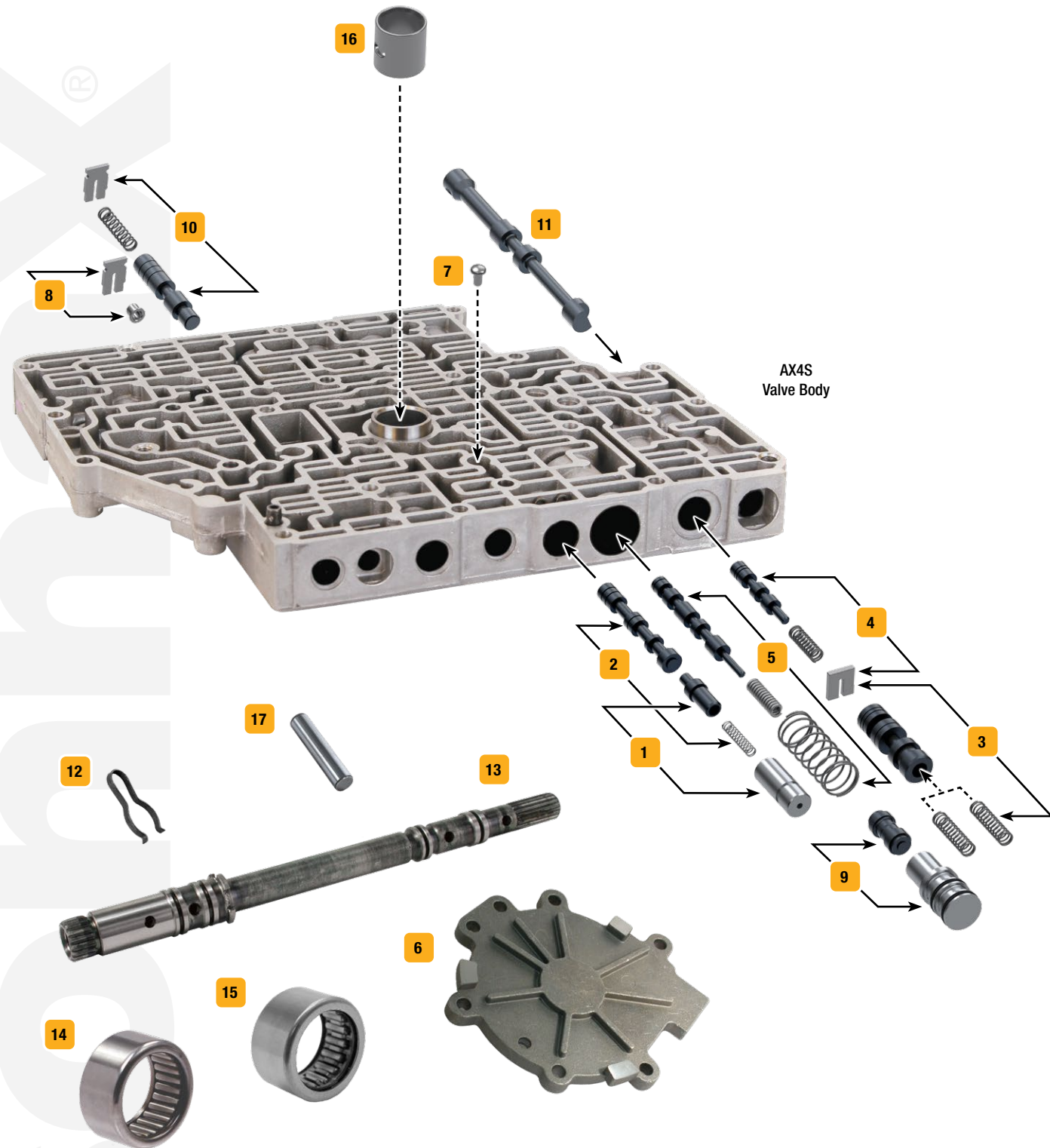


Click on part numbers for product details or visit [www.sonnax.com](http://www.sonnax.com) to see all products for the unit(s) shown here.



Symptoms/Benefits	Product Name	Part No.	Details	ZIP Drop-In Zip Valve™ Parts	Tooling
<b>TCC/Lockup Symptoms</b>					
Code 628, TCC apply & release concerns, Low cooler & lube pressure	Bypass Clutch Control Plunger Valve Kit	1 96201-06K	ZIP AXOD only		
Code 628, TCC slip, No lockup, Soft TCC apply, No TCC release during coast	Bypass TCC Control Plunger Valve Kit	1 96206-01K	ZIP AX4S, AXODE only		
Hydraulic-related converter codes, TCC apply & release concerns	Oversized Bypass Clutch Control Valve Kit	2 96201-19K	AX4S, AXODE only		96201-TL
Code 628, 741, 744, TCC cycling, Overheating & reduced lube feed, Delayed engagement, No 4th	Oversized Converter Regulator Valve Kit	3 96201-23K	AX4S, AXODE only, works in 2- or 4-spoiled OE applications		F-96201-TL23*
Code 1741, 1744, TCC cycling, No lockup, TCC surge	Oversized Solenoid Regulator Valve Kit	4 96201-21K	AX4S, AXODE only		96201-TL2‡
<b>Pressure Problems</b>					
Erratic line pressure, Delayed engagement, Pump noise, Pump rotor & cover damage	Oversized Pressure Regulator Valve Kit	5 96206-10K	AX4S, AXODE only, late-style		96206-TL2
Low line pressure & pump volume	Pump Cover	6 96200-01	Increased thickness to prevent flexing		
Pressure loss, Converter drain back	Relief Valve	7 10000-01K	Low radius, 10/bag		
<b>Shift/Engagement Concerns</b>					
3-2 Coastdown Neutral, No upshifts	3-2 Timing Valve Saver Cap Kit	8 96201-15K	AX4S, AXODE only, includes 5 caps & retainers		
1-2 Flare, 2-3 Flare, 2-1 Clunk, Harsh Reverse, Clutch failure, Band failure	Boost Valve Kit	9 96201-13K	ZIP Fits 3.0 liter 12 valve, .475" dia. valve, factory-style sleeve		
	Boost Valve Kit	9 96201-08K	ZIP Fits all except 3.0 liter 12 valve, .491" dia. valve, factory-style sleeve		
	Boost Valve Kit	9 96201-01K	ZIP Fits all except 3.0 liter 12 valve, .491" dia. valve, includes O-rings		
	Boost Valve Kit	9 96201-12K	ZIP Fits 3.0 liter 12 valve, .475" dia. valve, includes O-rings		
No Forward, 1-2-3-2 Shifts, No 4th Slips in Forward & Reverse, No Reverse	Forward Control Valve Kit	10 96201-16K	AX4S, AXODE only		96201-BST †
Delayed Forward, Burnt Forward clutch	Manual Valve	11 96201-05	ZIP Lengthened spool diameter		
<b>Component Damage/Failure</b>					
Lost or damaged component	Backout Valve Clip	12 96201-11	10/Bag		
Scored shaft	Oil Pump Shaft	13 96855-02K	Patented design increases oil flow		
Bearing noise, Bearing failure	Pump Bearing	14 96077-01	Without integral seal		
	Pump Bearing	15 96855-01K	With integral seal		
Lost or damaged component	Pump Shaft Sleeve	16 96201-18			
	Pump Slide Pin	17 96200-02	5/Bag		

\* VB-FIX Required

† Recommended Tool

‡ No longer in production. Check with your distributor for availability.