

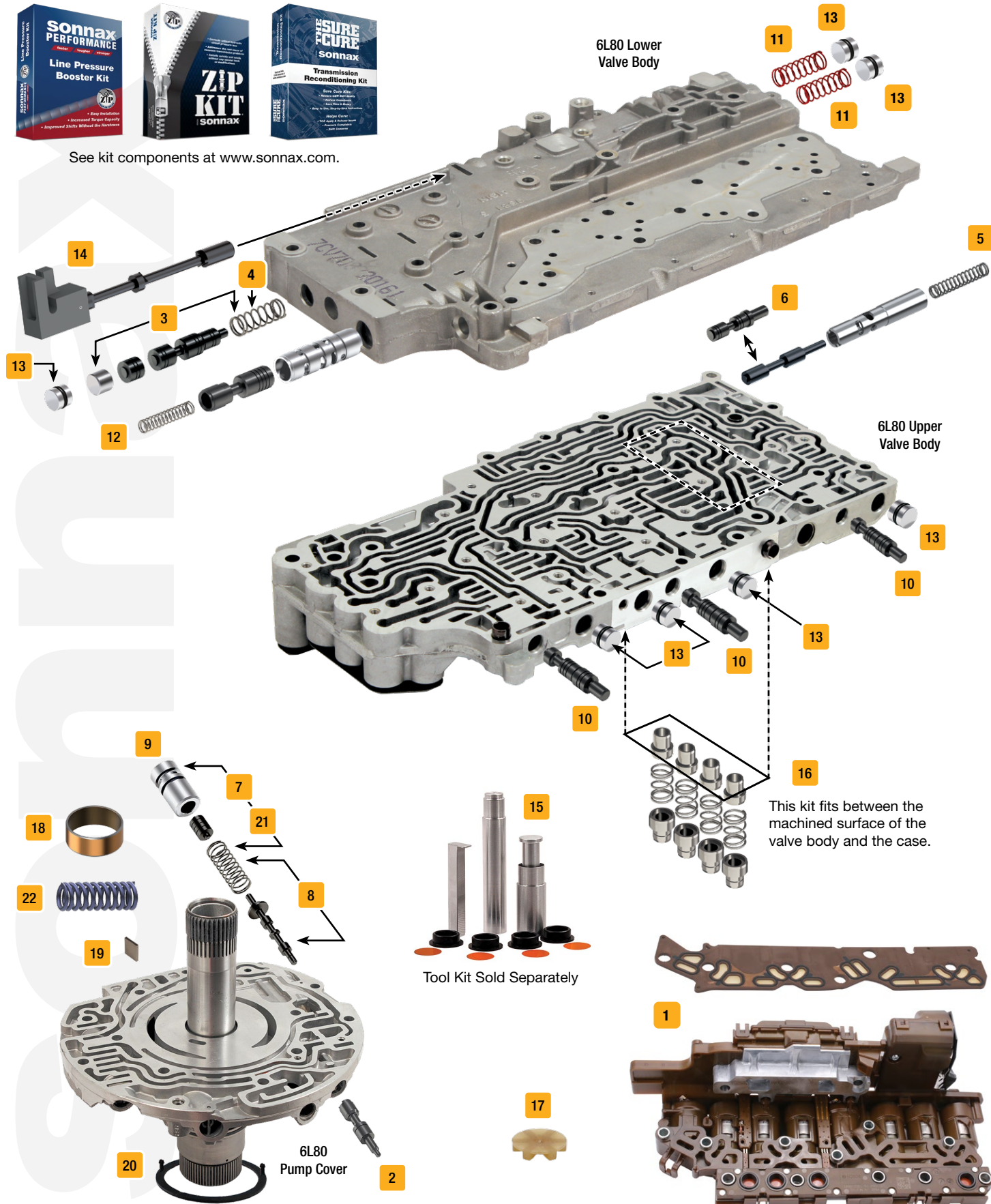
GM 6L45, 6L50, 6L80, 6L90

sonnax®

Click on part numbers for product details or visit www.sonnax.com to see all products for the unit(s) shown here.



See kit components at www.sonnax.com.



Drop-In Zip Valve™ Parts

Symptoms/Benefits	Product Name	Part No.	Details	Tooling
Multiple Symptoms				
Solenoid electrical circuit faults, Solenoid performance codes, Gear ratio codes, Poor shift quality, TCC codes, Internal memory codes, Temperature sensor codes	Remanufactured TEHCM	1 GM6L-TEHCM-C5	6L80, 6L90 only, typically fits Cadillac 2010-2011; Chevrolet 2010-2013; GMC 2010-2011	
	Remanufactured TEHCM	1 GM6L-TEHCM-C6	6L80, 6L90 only, typically fits Cadillac 2012-2015; Chevrolet 2011-2020; GMC 2011-2020; Isuzu 2012-2016	
Comprehensive kit for big problems you don't want back	The Sure Cure® Kit	SC-6L80-6L90	6L80, 6L90 only	F-104520-TL11C**, F-104520-TL7C**, F-104740-TL12*, F-104740-TL7*
The first step in correcting common shift problems	Zip Kit®	6L45-6L90-ZIP	ZIP	
TCC/Lockup Symptoms				
High TCC slip RPM, Code P0218, Code P0741, Overheated converter, Inadequate lubrication	Oversized Converter Feed Limit Valve	2 104520-11		F-104520-TL11C**
Overheated fluid, Failsafe mode, Harsh shifts, Harsh TCC apply, Loss of fuel economy	TCC Regulator Valve Kit	3 104740-46K	ZIP	
Code P0741, P0742, High TCC slip RPM, Overheated fluid, Failsafe mode, Harsh shifts	Oversized TCC Regulator Valve Kit	3 104740-07K		F-104740-TL7*
Vibration, Shudder condition	TCC Regulator Valve Spring	4 104740-45K	5/Bag	
Pressure Problems				
Solenoid performance codes, Clutch failure, Wrong gear starts, Harsh shifts, Soft shifts	Actuator Feed Limit Valve Kit	5 104740-47K	ZIP	
	Oversized Actuator Feed Limit Valve	6 104740-12		F-104740-TL12*
Low line rise in Drive, Soft shifts, Burnt clutches	Boost Valve Kit	7 104520-12K	ZIP	
Erratic line pressure, High line pressure, Low line pressure, Clutch slippage, Harsh shifts	Pressure Regulator Valve Kit	8 104520-15K	ZIP	
	Oversized Pressure Regulator & Boost Valve Kit	9 104520-16K		F-104520-TL7C**
Shift/Engagement Concerns				
Shift quality is not load sensitive, Clutch pressure solenoid codes, Burnt clutches	Oversized Clutch Boost Valve	10 104740-01	Fits any of 3 locations	F-104740-TL*
Code P0751, Cruise control disabled, 1-2-3-4 and/or 3-5-Reverse clutch burned	Clutch Select Valve Spring Kit	11 104740-02K	Mid '10-earlier, includes 2 springs	
Harsh shifts, Downshift clunk, 3-4 Bump, Bump shifts, Flare shifts, Bind-up	Compensator Feed Regulator Valve Kit	12 104740-09K	ZIP	
Shift concerns, Burnt clutches	O-Ringed End Plug Kit	13 104740-23K	ZIP Includes 7 end plugs	
No Forward, No Reverse, Gear ratio codes	Manual Valve Assembly	14 104740-24K	ZIP 6L45 BMW only	
Pressure/Switch codes, Failsafe mode, Pressure control out-of-range codes	Pressure Switch Rebuild Kit	15 124740-70K	Services 10 valve bodies	124740-TL70
Component Damage/Failure				
Burnt clutches, Loss of lube oil, Overheating & reduced lube feed	Center Support Seal Kit	16 104740-14K	ZIP	
Lost or damaged component	Pressure Switch Plastic Piston	17 124740-72K	20/Bag	
Premature wear & bushing failure, Pump noise, Excess converter hub-to-bushing clearance	Pump Bushing	18 104034A	6L50, 6L80, 6L90 only, precision, PTFE-impregnated	
Lost or damaged component	Pump Vane	19 76742		
Excess endplay	Selective Pump Thrust Washer	20 33452A	3/Bag	
High Performance/Heavy Duty Upgrades				
Classic, large-ratio boost valve for crisp, clean shifts without harshness	Line Pressure Booster Kit	21 6L80-LB1	ZIP	
Keeps pump in high-volume position at high RPM	Pump Slide Spring	22 104534-HD	6L80, 6L90 only	
Tools				
	Vacuum Test Plate Kit	104740-VTP		VACTEST-01K

* VB-FIX Required ** VB-FIX & VB-06 Required