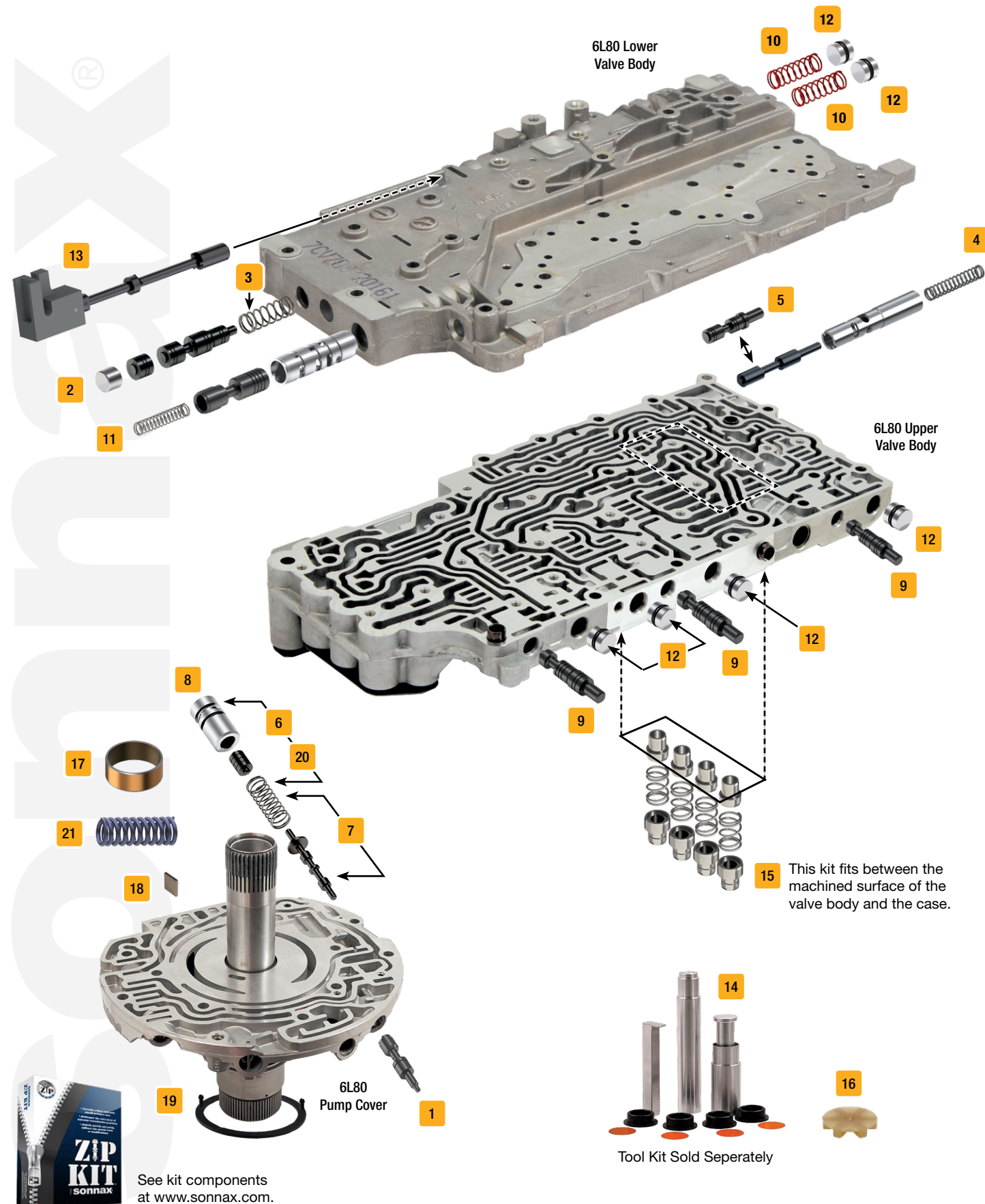


Click on part numbers for product details or visit [www.sonnax.com](http://www.sonnax.com) to see all products for the unit(s) shown here.



Symptoms/Part Type	Product Name	Part No.	Details	Tooling
<b>Multiple Symptoms</b>				
The first step in correcting common shift problems	Zip Kit®	6L45-6L90-ZIP	ZIP	
<b>TCC/Lockup Symptoms</b>				
High TCC slip RPM, Code P0218, Code P0741, Overheated converter, Inadequate lubrication	Oversized Converter Feed Limit Valve	1 104520-11		F-104520-TL11C**
Overheated fluid, Failsafe mode, Harsh shifts, Harsh TCC apply, Loss of fuel economy	TCC Regulator Valve Kit	2 104740-46K	ZIP	
Code P0741, P0742, High TCC slip RPM, Overheated fluid, Failsafe mode, Harsh shifts	Oversized TCC Regulator Valve Kit	2 104740-07K		F-104740-TL7*
Vibration, Shudder condition	TCC Regulator Valve Spring	3 104740-45K	5/Bag	
<b>Pressure Problems</b>				
Solenoid performance codes, Clutch failure, Wrong gear starts, Harsh shifts, Soft shifts	Actuator Feed Limit Valve Kit	4 104740-47K	ZIP	
	Oversized Actuator Feed Limit Valve	5 104740-12		F-104740-TL12*
Low line rise in Drive, Soft shifts, Burnt clutches	Boost Valve Kit	6 104520-12K	ZIP	
Erratic line pressure, High/Low line pressure, Clutch slippage, Harsh shifts	Pressure Regulator Valve Kit	7 104520-14K	ZIP	
	Oversized Pressure Regulator & Boost Valve Kit	8 104520-07K		F-104520-TL7C**
<b>Shift/Engagement Concerns</b>				
Shift quality is not load sensitive, Clutch pressure solenoid codes, Burnt clutches	Oversized Clutch Boost Valve	9 104740-01	Fits any of 3 locations	F-104740-TL*
Code P0751, 1-2-3-4 Clutch burned, 3-5-Reverse clutch burned, Cruise control disabled	Clutch Select Valve Spring Kit	10 104740-02K	Mid '10-earlier, includes 2 springs	
Harsh shifts, Downshift clunk, 3-4 Bump, Bump shifts, Flare shifts, Bind-up, Burnt clutches	Compensator Feed Regulator Valve Kit	11 104740-09K	ZIP	
Shift concerns, Burnt clutches	O-Ringed End Plug Kit	12 104740-23K	ZIP Includes 6 end plugs	
No Forward, No Reverse, Gear ratio codes	Manual Valve Assembly	13 104740-24K	ZIP 6L45 BMW only	
Erratic TCC apply, Harsh shifts, Shift codes, Pressure switch codes, Switch codes	Pressure Switch Rebuild Kit	14 124740-70K	Serves 10 valve bodies	124740-TL70
<b>Component Damage/Failure</b>				
Burnt clutches, Loss of lube oil, Overheating & reduced lube feed	Center Support Seal Kit	15 104740-14K	ZIP	
Lost or damaged component	Pressure Switch Plastic Piston	16 124740-72K	Includes 20 pistons	
Bushing wear, Bushing failure, Excess converter hub-to-bushing clearance, Pump noise	Pump Bushing	17 104034A	6L50, 6L80, 6L90 only, precision	
Lost or damaged component	Pump Vane	18 76742		
Excess endplay	Selective Pump Thrust Washer	19 33452A	3/Bag	
<b>High Performance/Heavy Duty Upgrades</b>				
Classic, large-ratio boost valve for crisp, clean shifts without harshness	Line Pressure Booster Kit	20 6L80-LB1	ZIP	
Keeps pump in high-volume position at high RPM	Pump Slide Spring	21 104534-HD	6L80, 6L90 only	
<b>Tools</b>				
	Vacuum Test Plate Kit	104740-VTP		VACTEST-01K

\* VB-FIX Required

\*\* VB-FIX & VB-06 Required