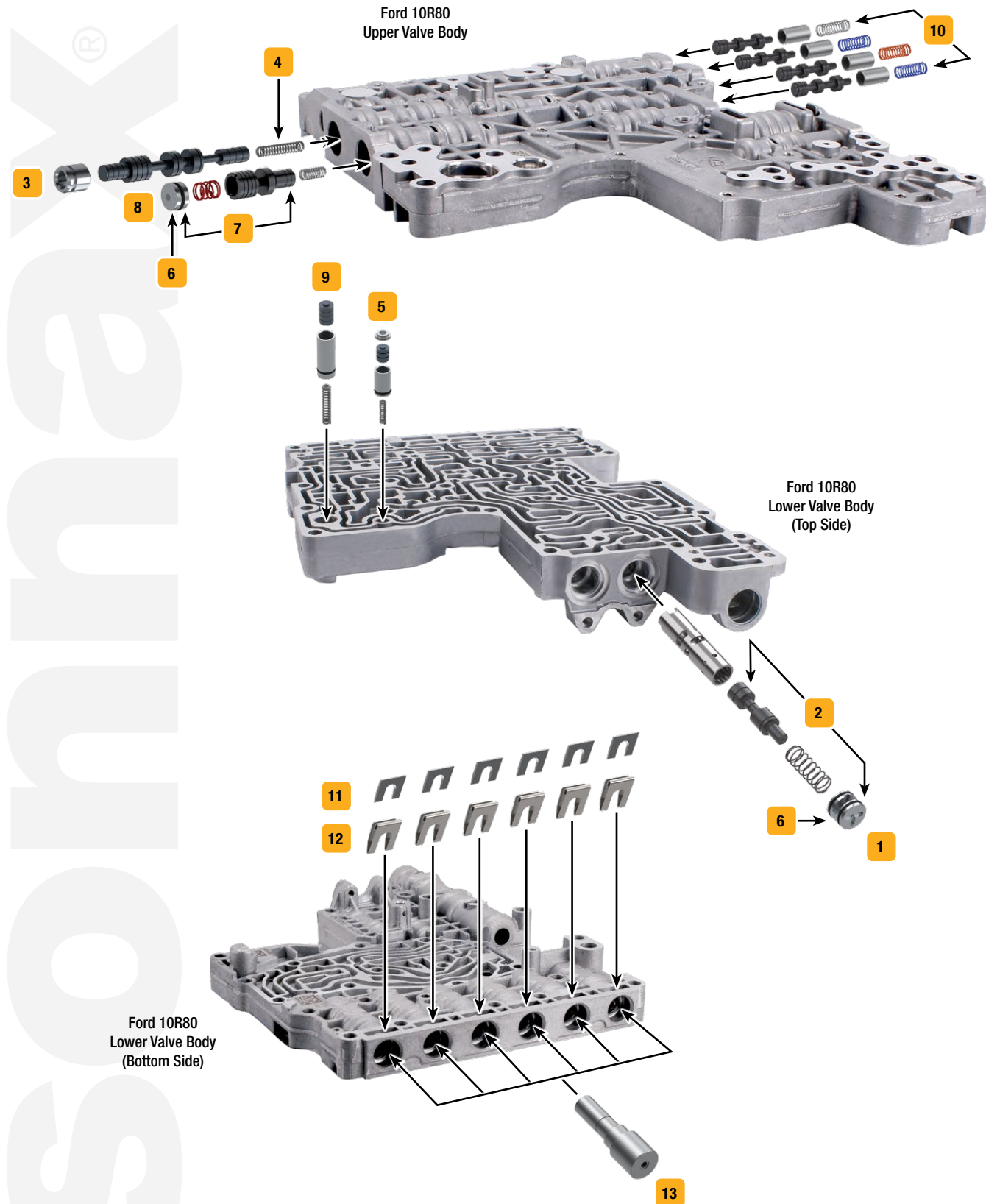


# Ford 10R60, 10R80

Some parts also fit GM 10L60/80/90 (Gen. 1)

# sonnax®

Click on part numbers for product details or visit [www.sonnax.com](http://www.sonnax.com) to see all products for the unit(s) shown here.



Symptoms/Benefits	Product Name	Part No.	Details ZIP Drop-In Zip Valve™ Parts	Tooling
<b>Multiple Symptoms</b>				
The first step in correcting common shift problems	Zip Kit®	10L80-G1-10R80-ZIP	ZIP 10R60/80, Gen. 1 10L60/80/90 only	
<b>TCC/Lockup Symptoms</b>				
TCC apply & release concerns, Overheated fluid, TCC slip codes	TCC Priority Valve Kit	1 105740-03K	ZIP	
	Oversized TCC Priority Valve Kit	2 105740-22K		F-105740-TL22*
TCC apply & release concerns, Low TCC apply pressure in full lockup	Oversized TCC Regulator Valve Kit	3 105740-15K	10R60/80 only	F-105740-TL16*
	Oversized TCC Regulator Valve Kit	3 105740-16K	Gen. 1 10L60/80/90 only	F-105740-TL16*
TCC apply & release concerns, Low cooler flow, Converter shudder & TCC slip	TCC Regulator Valve Spring	4 105740-29		
Lube failures, TCC apply & release concerns, Overheated fluid, Overheated converter	TCC Signal Damper Piston Kit	5 105740-06K	ZIP	
<b>Pressure Problems</b>				
Low line pressure, Various shift concerns, TCC apply & release concerns, Overheated fluid	O-Ringed End Plug Kit	6 105740-13K	ZIP Includes 2 end plugs	
Low line pressure, Various shift concerns, Delayed engagement, Poor shift quality	Main Pressure Regulator Valve Kit	7 105740-12K	ZIP	
	Oversized Main Pressure Regulator Valve Kit	8 105740-20K		F-105740-TL20*
<b>Shift/Engagement Concerns</b>				
Harsh shifts, High line pressure	LPC Signal Damper Piston Kit	9 105740-04K	ZIP	
<b>Component Damage/Failure</b>				
Burnt clutches, Lost or damaged component	Latch Valve Stem Repair Kit	10 105740-47K	ZIP	
Loss of shift solenoid control pressure, Poor shift quality, Various shift concerns	Solenoid Stabilization Clip Insert	11 105740-01K	ZIP 6/Bag	
	Solenoid Stabilization Retainer	12 105740-19K	ZIP 6/Bag	
<b>Tools</b>				
	Clutch Control Valve Bore Sizing Tool	13 105740-BST		

\* VB-FIX Required