

# Critical Wear Areas & Vacuum Test Locations



**NOTE:** OE valves are shown in rest position and should be tested in rest position unless otherwise indicated. Test locations are pointed to with an arrow. Springs are not shown for visual clarity. Low vacuum reading indicates wear and Sonnax parts are noted for replacement.

## Main Valve Body • JF010E



For specific vacuum test information, refer to individual part instructions included in kits and available at [www.sonnax.com](http://www.sonnax.com).

Click on Sonnax part numbers to see more information.

### TCC Limit & Lube Valve

- Engine stall in engagement
- No lockup
- Increased RPM during acceleration

Replace with **Sonnax Part No. 113741-04K**

Requires F-113741-TL4 & VB-FIX

### Secondary Pressure Regulator Valve

- Slips in Forward and Reverse
- Push belt slippage
- Push belt and sheave surface damage

### Primary Pressure Regulator Valve

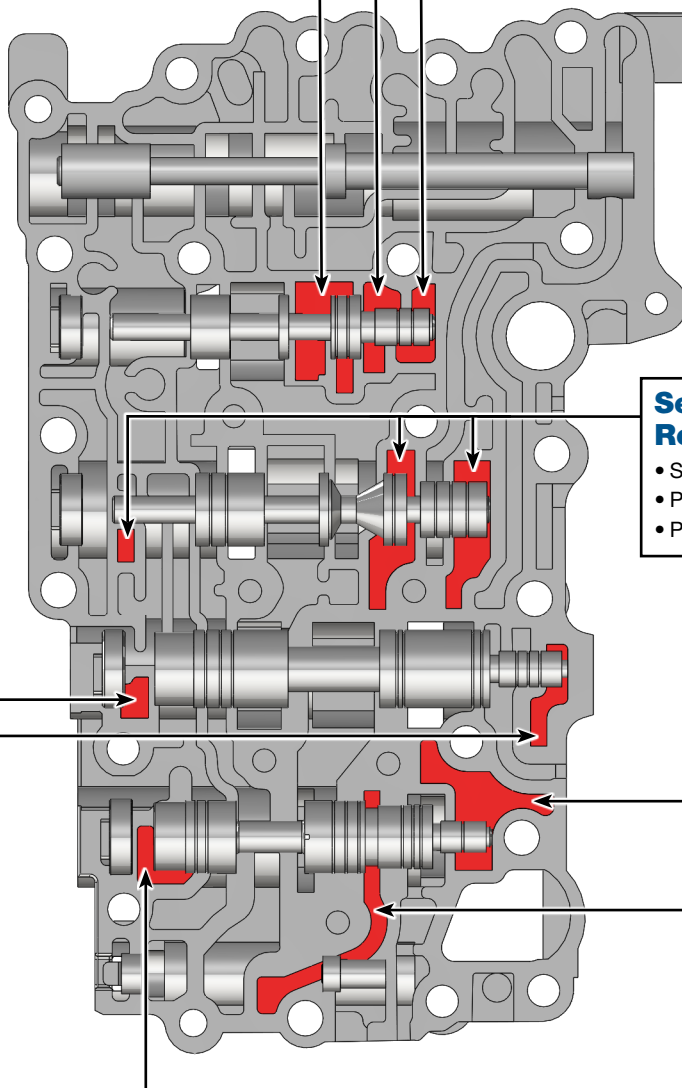
- Chatter on acceleration
- Damaged valve body casting
- Slips in Forward & Reverse

Replace with **Sonnax Part No. 113741-09K**

Requires F-113741-TL9 & VB-FIX

### Primary Pulley Control Valve

- No High ratios
- Push belt failure
- Gear ratio errors



# Critical Wear Areas & Vacuum Test Locations



**NOTE:** OE valves are shown in rest position and should be tested in rest position unless otherwise indicated. Test locations are pointed to with an arrow. Springs are not shown for visual clarity. Low vacuum reading indicates wear and Sonnax parts are noted for replacement.

## Middle Valve Body • JF010E (Front)



For specific vacuum test information, refer to individual part instructions included in kits and available at [www.sonnax.com](http://www.sonnax.com).

Click on Sonnax part numbers to see more information.

### Secondary Pulley Control Valve

- RPM surge on acceleration
- Chatter on acceleration
- Push belt slippage & pulley fracture

Replace with **Sonnax Part No. 113741-17K**

Requires F-113741-TL7 & VB-FIX

Seal on back

### Torque Converter Regulator Valve

- TCC slip codes
- TCC apply & release concerns
- Overheating

Replace with **Sonnax Part No. 113741-15K**

Requires F-113741-TL13 & VB-FIX

### Lockup Control Plunger Valve

- Jerking on coastdown
- High engine RPM
- Engine stall on engagement

Replace with **Sonnax Part No. 113741-11K**

### Lockup Control Valve

- Converter shudder and TCC slip
- No lockup
- Excess TCC slip RPM & related codes

### Switch Valve

- Delayed engagement
- Harsh engagement

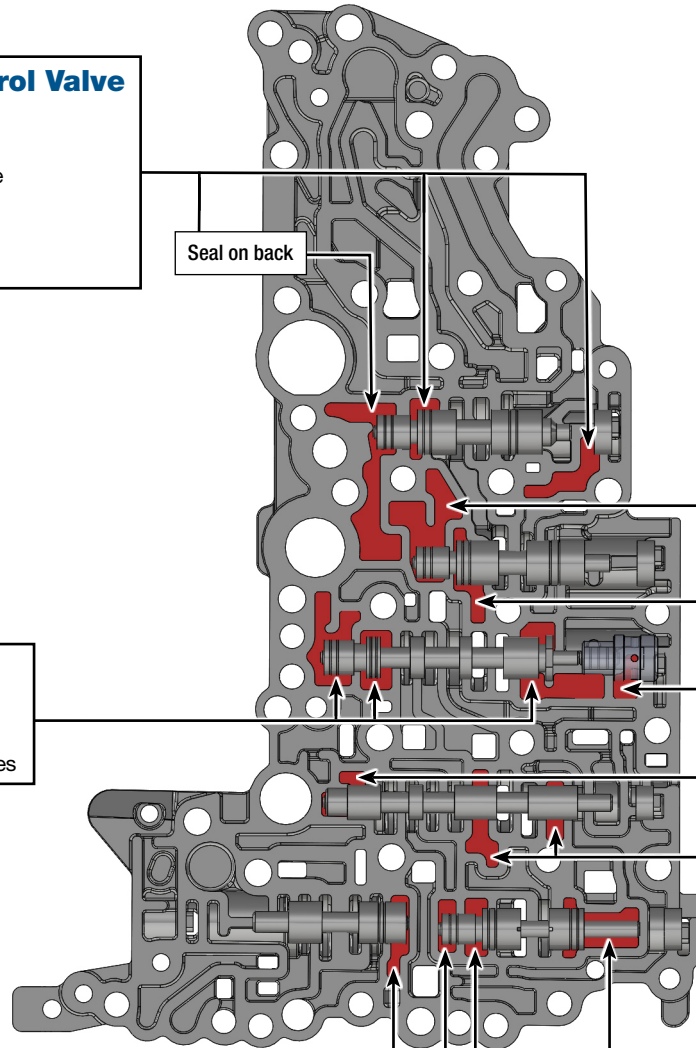
### Secondary Pulley Control Valve

- Chatter on acceleration
- No ratio change
- Noise on acceleration

Replace with **Sonnax Part No. 113741-01K**

### Clutch Control Valve

- Delayed engagements
- No movement
- Slips Forward and Reverse



## Critical Wear Areas & Vacuum Test Locations



Drop-In Zip Valve™  
Parts Available

**NOTE:** OE valves are shown in rest position and should be tested in rest position unless otherwise indicated. Test locations are pointed to with an arrow. Springs are not shown for visual clarity. Low vacuum reading indicates wear and Sonnax parts are noted for replacement.

### Middle Valve Body • JF010E (Back)



For specific vacuum test information, refer to individual part instructions included in kits and available at [www.sonnax.com](http://www.sonnax.com).

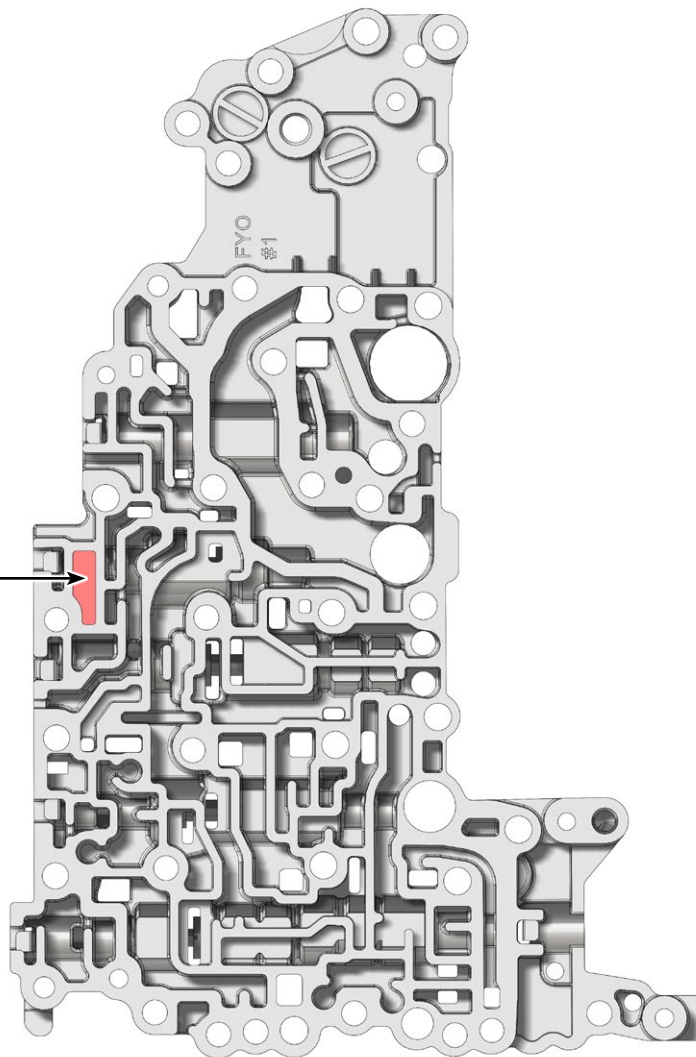
Click on Sonnax part numbers to see more information.

#### Torque Converter Regulator Valve

- TCC slip codes
- TCC apply & release concerns
- Overheating

Replace with **Sonnax Part No. 113741-15K**

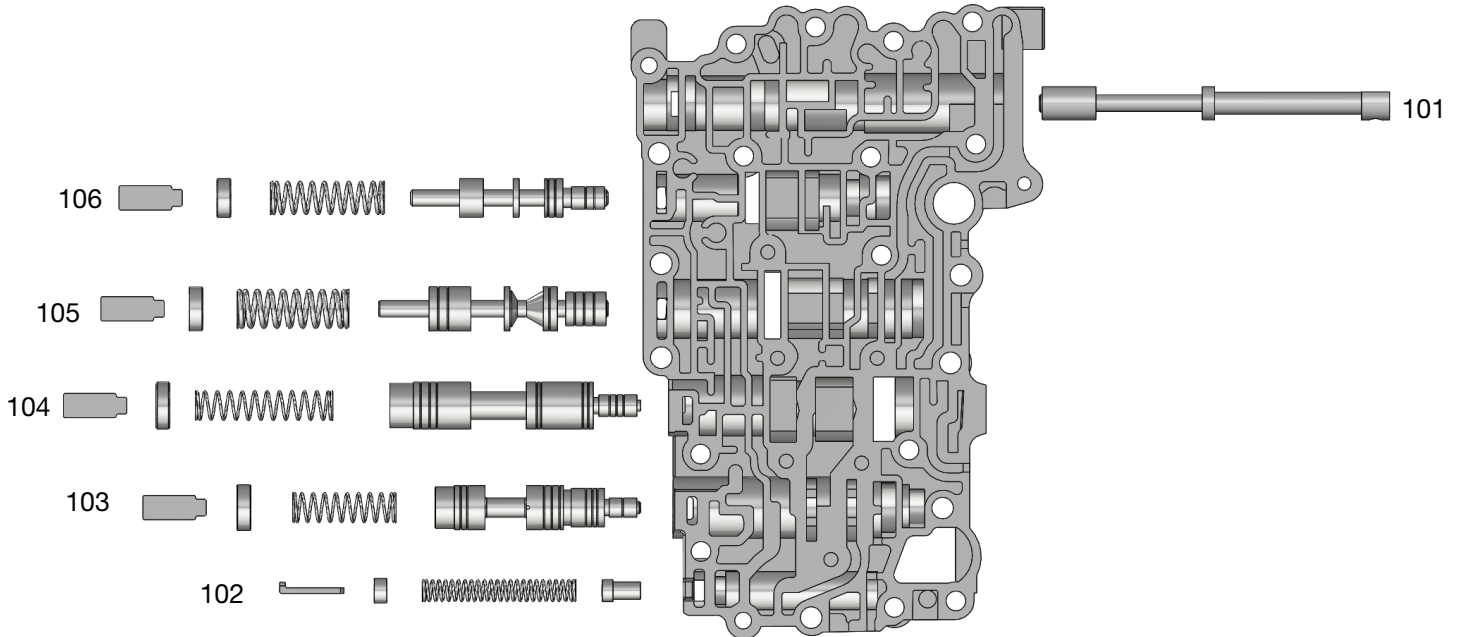
Requires F-113741-TL13 & VB-FIX



## OE Exploded View

### Main Valve Body • JF010E

**NOTE:** Depending upon vehicle application, the OE springs shown may not be present.



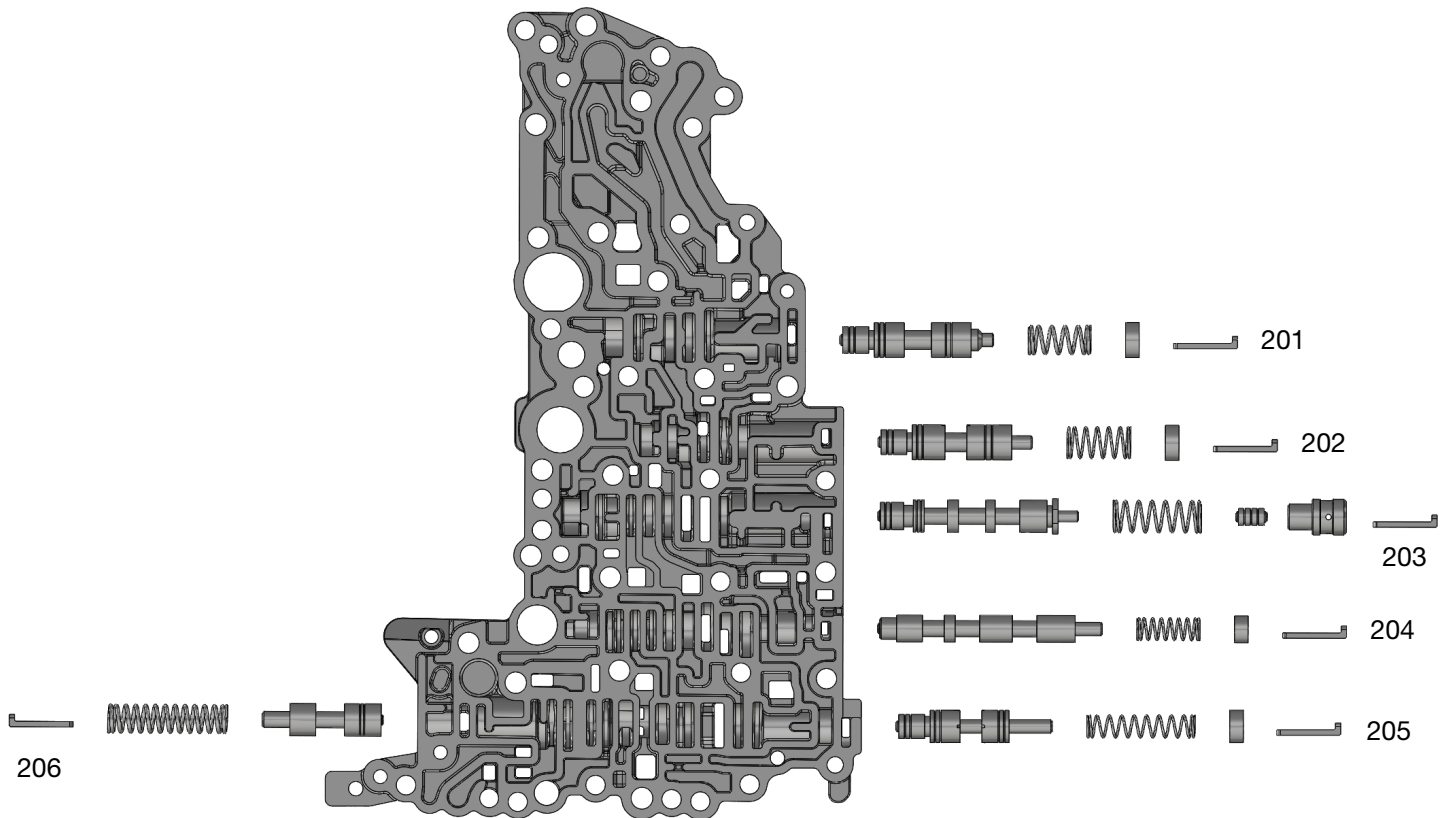
#### JF010E Main Valve Body Descriptions

I.D. No.	Description
101	Manual Valve
102	Plug & Spring
103	Primary Pulley Control Valve
104	Primary Pressure Regulator Valve
105	Secondary Pressure Regulator Valve
106	TCC Limit & Lube Valve

## OE Exploded View

### Middle Valve Body • JF010E

**NOTE:** Depending upon vehicle application, the OE springs shown may not be present.



#### JF010E Middle Valve Body Descriptions

I.D. No.	Description
201	Secondary Pulley Control Valve
202	Torque Converter Regulator Valve
203	Lockup Control Plunger Valve & Control Valve
204	Switch Valve
205	Clutch Control Valve
206	Secondary Pulley Control Valve