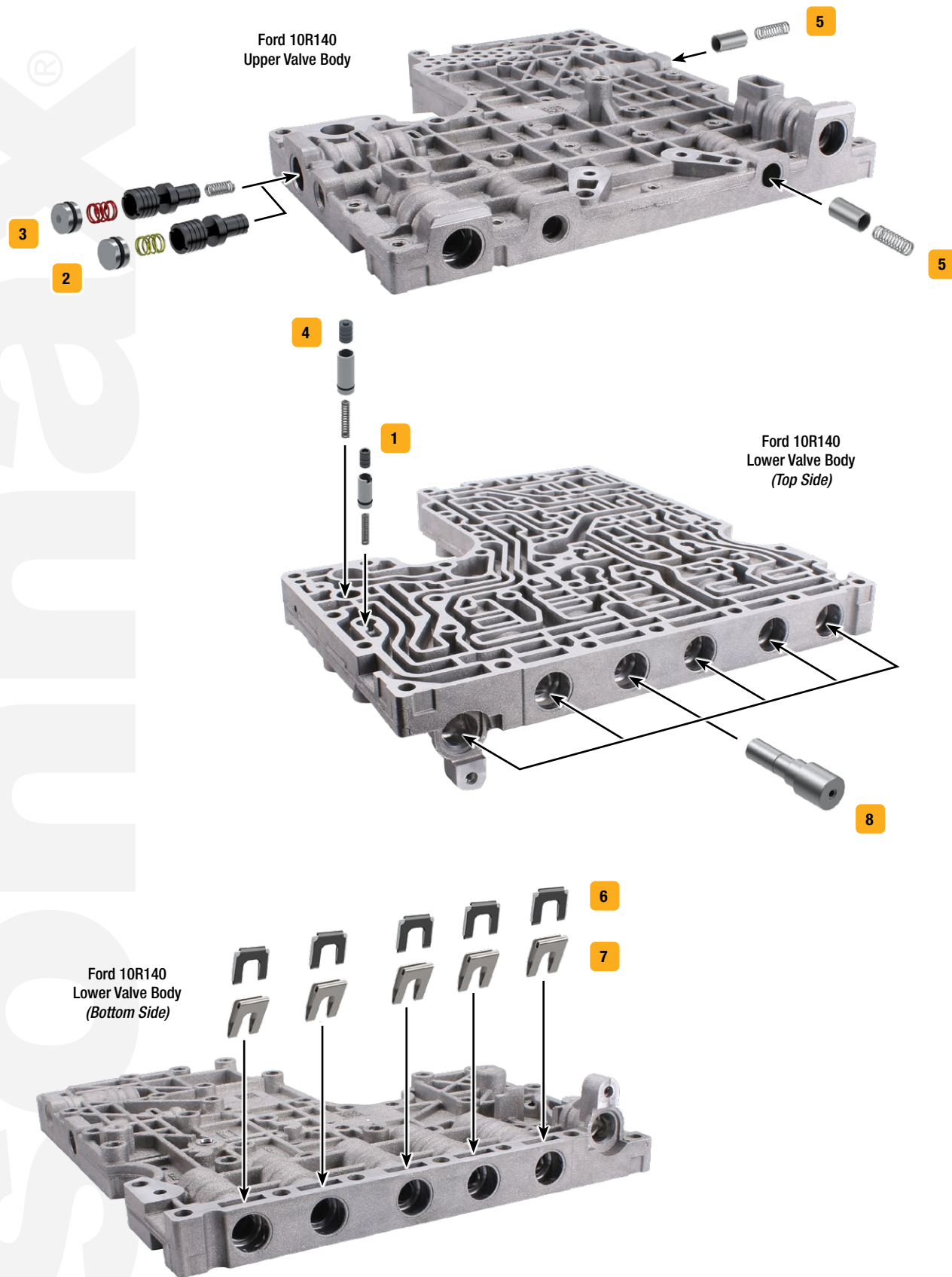


Click on part numbers for product details or visit [www.sonnax.com](http://www.sonnax.com) to see all products for the unit(s) shown here.



Symptoms/Benefits	Product Name	Part No.	Details	Tooling
<b>TCC/Lockup Symptoms</b>				
TCC apply & release concerns, TCC codes & concerns, TCC shudder	TCC Signal Damper Piston Kit	1 105740-07K	ZIP	
<b>Pressure Problems</b>				
Low line pressure, Various shift concerns, Delayed engagement, Poor shift quality	Main Pressure Regulator Valve Kit	2 105740-12K	ZIP	
	Oversized Main Pressure Regulator Valve Kit	3 105740-20K		F-105740-TL20*
<b>Shift/Engagement Concerns</b>				
Harsh shifts, High line pressure	LPC Signal Damper Piston Kit	4 105740-04K	ZIP	
<b>Component Damage/Failure</b>				
Burnt clutches, Lost or damaged component	Latch Valve Stem Repair Kit	5 105740-50K	ZIP	
Loss of shift solenoid control pressure, Poor shift quality, Various shift concerns	Solenoid Stabilization Clip Insert	6 105740-01K	ZIP 6/Bag	
	Solenoid Stabilization Retainer	7 105740-19K	ZIP 6/Bag	
<b>Tools</b>				
	Clutch Control Valve Bore Sizing Tool	8 105740-BST		

\* VB-FIX Required