

Critical Wear Areas & Vacuum Test Locations

ZIP Drop-In Zip Valve™
Parts Available

ZIP KIT 6F35-ZIP
Zip Kit® Available

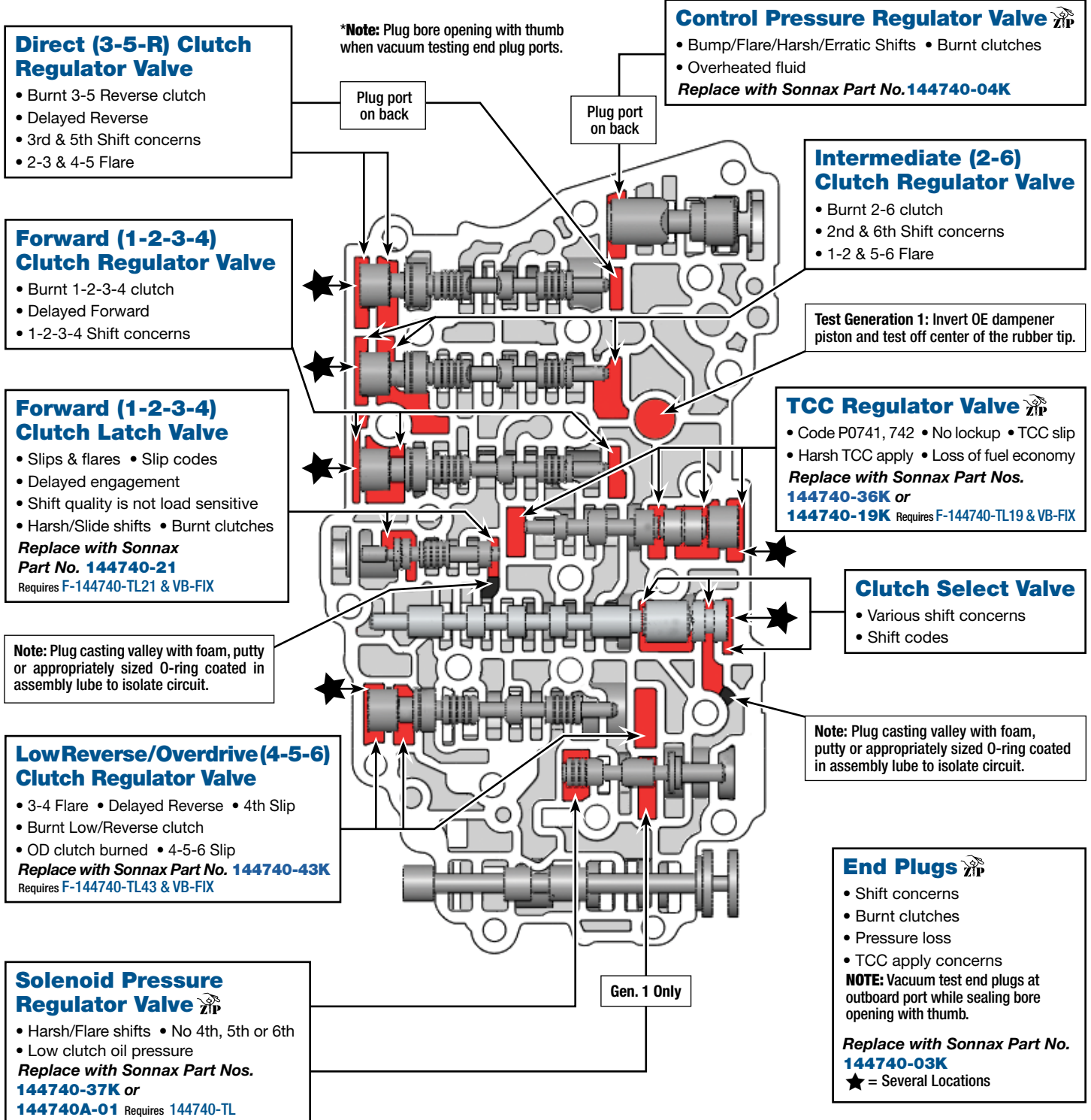
NOTE: OE valves are shown in rest position and should be tested in rest position unless otherwise indicated. Test locations are pointed to with an arrow. Springs are not shown for visual clarity. Low vacuum reading indicates wear and Sonnax parts are noted for replacement.

Main Control Valve Body – Front 6F35, Gen. 1 Shown



For specific vacuum test information, refer to individual part instructions included in kits and available at www.sonnax.com.

Click on Sonnax part numbers to see more information.



Critical Wear Areas & Vacuum Test Locations

ZIP Drop-In Zip Valve™ Parts Available

6F35-ZIP Zip Kit® Available

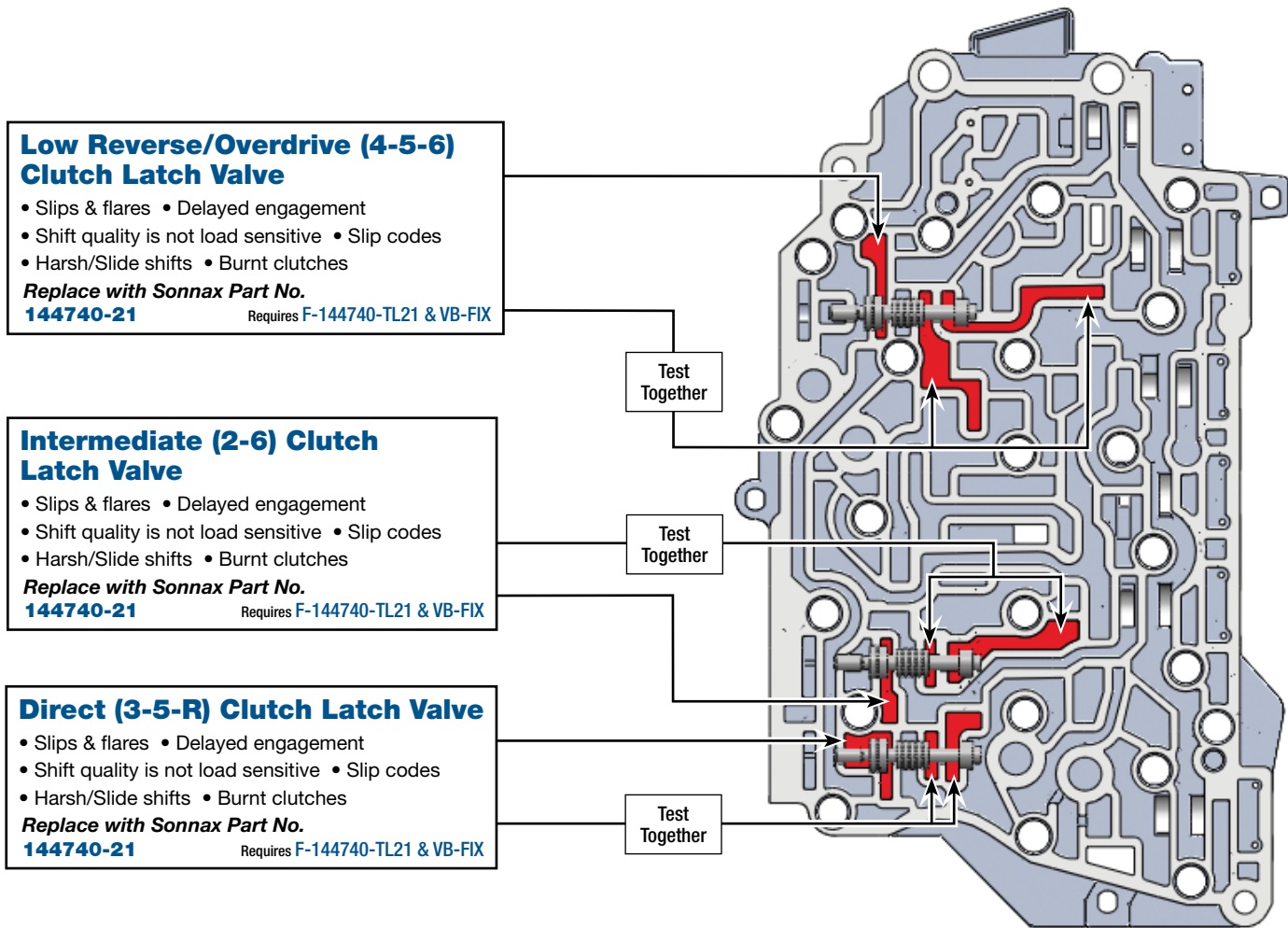
NOTE: OE valves are shown in rest position and should be tested in rest position unless otherwise indicated. Test locations are pointed to with an arrow. Springs are not shown for visual clarity. Low vacuum reading indicates wear and Sonnax parts are noted for replacement.

Solenoid Valve Body • 6F35, Gen. 1 Shown



For specific vacuum test information, refer to individual part instructions included in kits and available at www.sonnax.com.

Click on Sonnax part numbers to see more information.



Low Reverse/Overdrive (4-5-6) Clutch Latch Valve

- Slips & flares • Delayed engagement
- Shift quality is not load sensitive • Slip codes
- Harsh/Slide shifts • Burnt clutches

Replace with Sonnax Part No. **144740-21**
Requires F-144740-TL21 & VB-FIX

Test Together

Intermediate (2-6) Clutch Latch Valve

- Slips & flares • Delayed engagement
- Shift quality is not load sensitive • Slip codes
- Harsh/Slide shifts • Burnt clutches

Replace with Sonnax Part No. **144740-21**
Requires F-144740-TL21 & VB-FIX

Test Together

Direct (3-5-R) Clutch Latch Valve

- Slips & flares • Delayed engagement
- Shift quality is not load sensitive • Slip codes
- Harsh/Slide shifts • Burnt clutches

Replace with Sonnax Part No. **144740-21**
Requires F-144740-TL21 & VB-FIX

Test Together

Critical Wear Areas & Vacuum Test Locations



Drop-In Zip Valve™
Parts Available



6F35-ZIP
Zip Kit® Available

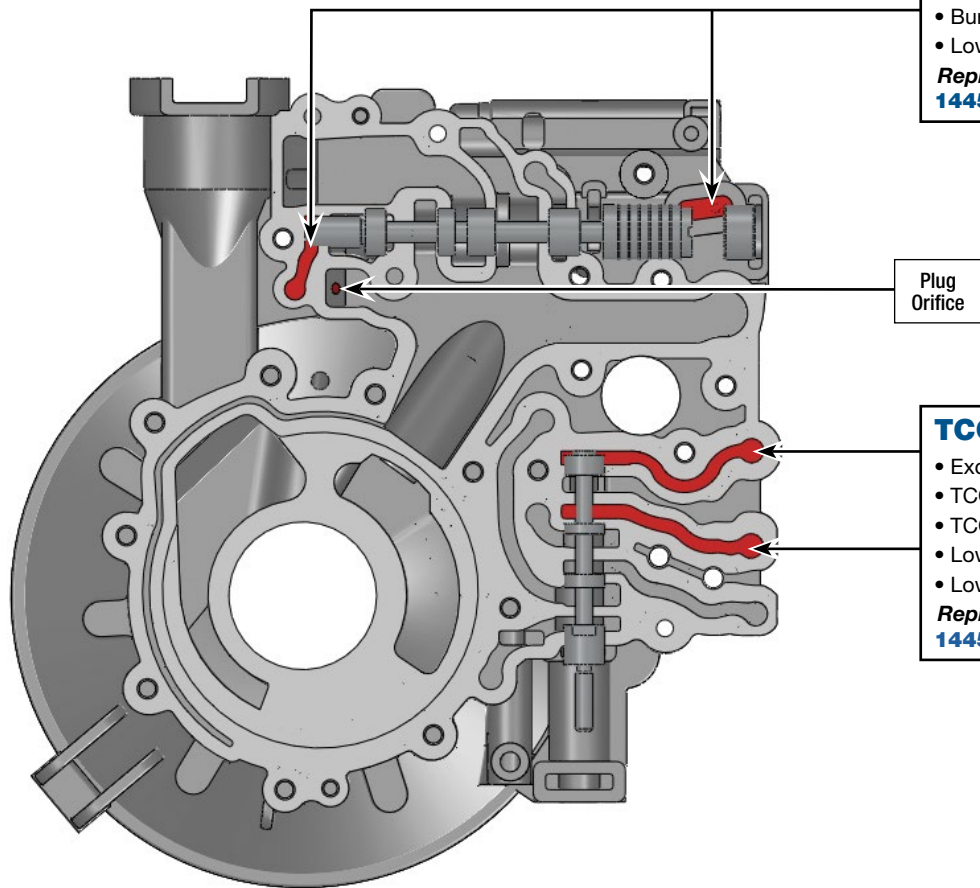
NOTE: OE valves are shown in rest position and should be tested in rest position unless otherwise indicated. Test locations are pointed to with an arrow. Springs are not shown for visual clarity. Low vacuum reading indicates wear and Sonnax parts are noted for replacement.

Pump Body • 6F35, Gen. 1 Shown



For specific vacuum test information, refer to individual part instructions included in kits and available at www.sonnax.com.

Click on Sonnax part numbers to see more information.



Pressure Regulator Valve

- Poor shift quality • Erratic line pressure
- TCC apply & release concerns
- Burnt clutches • Overheating
- Low converter & lube flow

Replace with Sonnax Part No. 144510-03K Requires F-144510-TL3C & VB-FIX

Plug Orifice

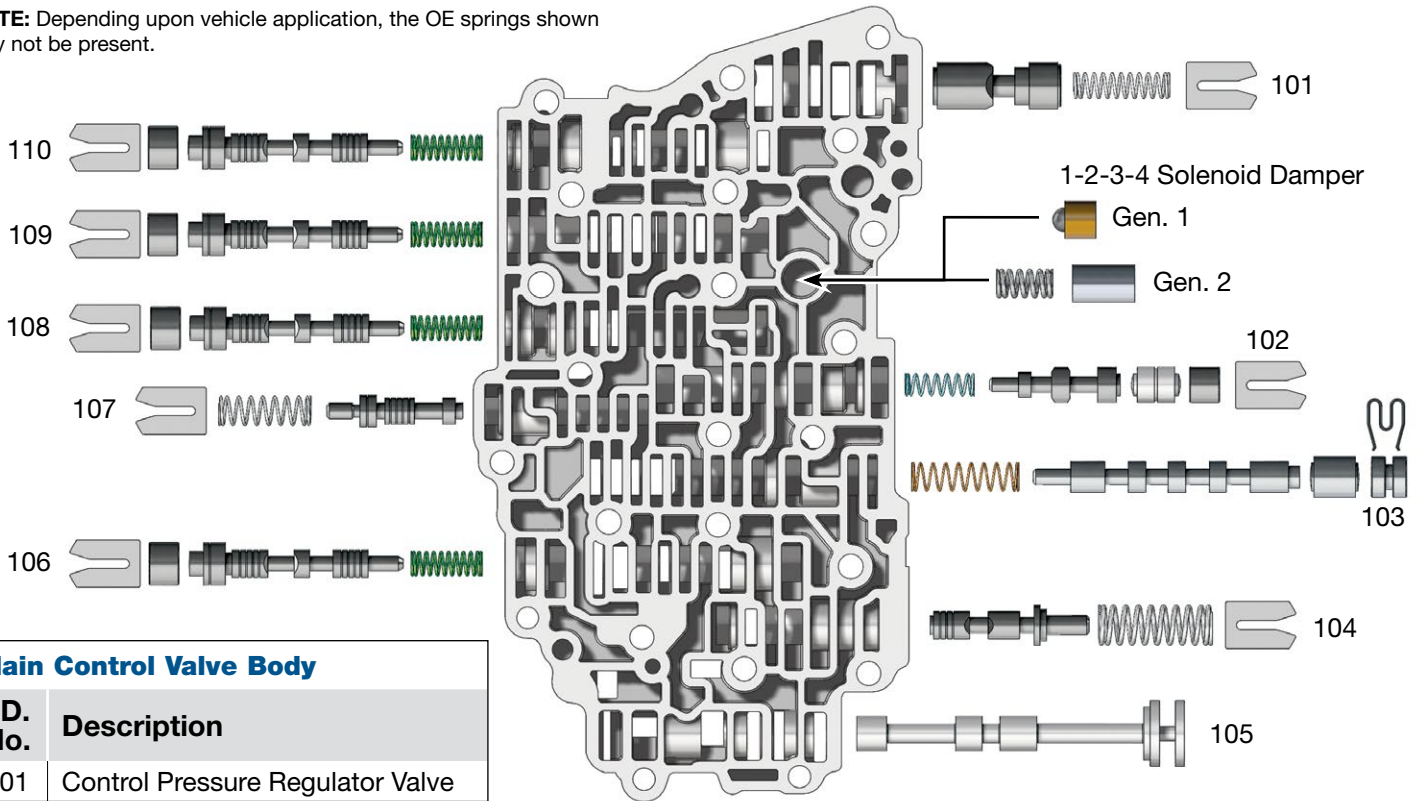
TCC Control Valve

- Excess TCC slip • TCC codes
- TCC lining failure • Shudder
- TCC apply & release concerns
- Low cooler flow • Overheating
- Low converter & lube flow

Replace with Sonnax Part No. 144510-07K Requires F-144510-TL7C & VB-FIX

Main Control Valve Body • 6F35, Gen. 1 Shown

NOTE: Depending upon vehicle application, the OE springs shown may not be present.



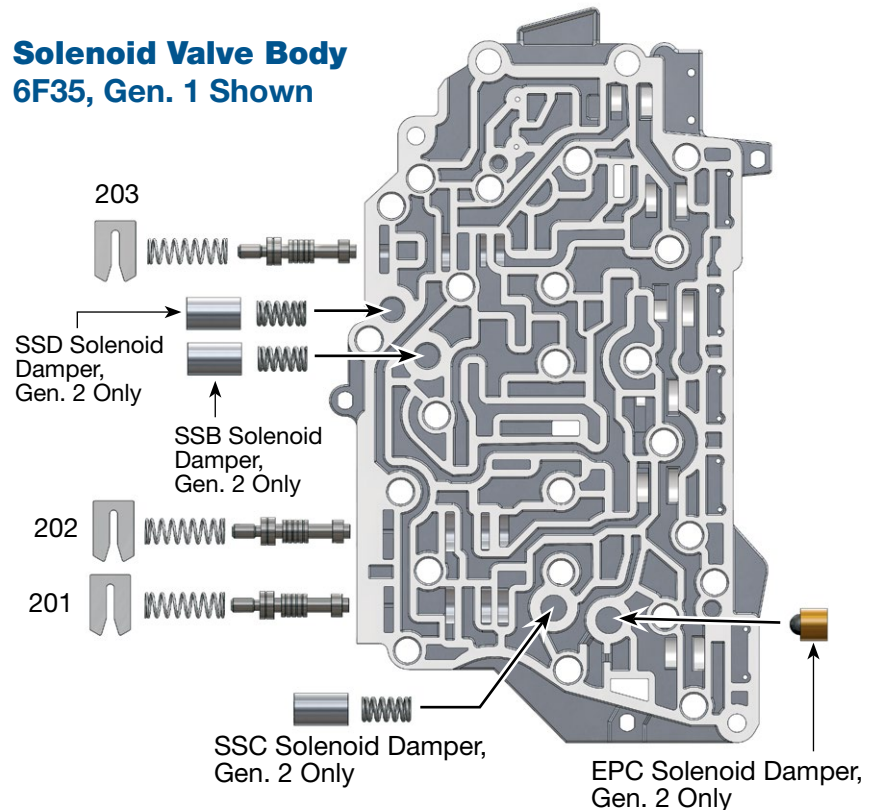
Main Control Valve Body

I.D. No.	Description
101	Control Pressure Regulator Valve
102	TCC Regulator Valve
103	Clutch Bypass Valve
104	Solenoid Pressure Regulator Valve
105	Manual Valve
106	Low Reverse/Overdrive (4-5-6) Clutch Regulator Valve
107	FWD (1-2-3-4) Clutch Latch Valve
108	FWD (1-2-3-4) Clutch Reg. Valve
109	Intermediate (2-6) Clutch Reg. Valve
110	Direct (3-5-R) Clutch Reg. Valve

Solenoid Valve Body

I.D. No.	Description
201	Direct (3-5-R) Clutch Latch Valve
202	Intermediate (2-6) Clutch Latch Valve
203	Low Reverse/Overdrive (4-5-6) Clutch Latch Valve

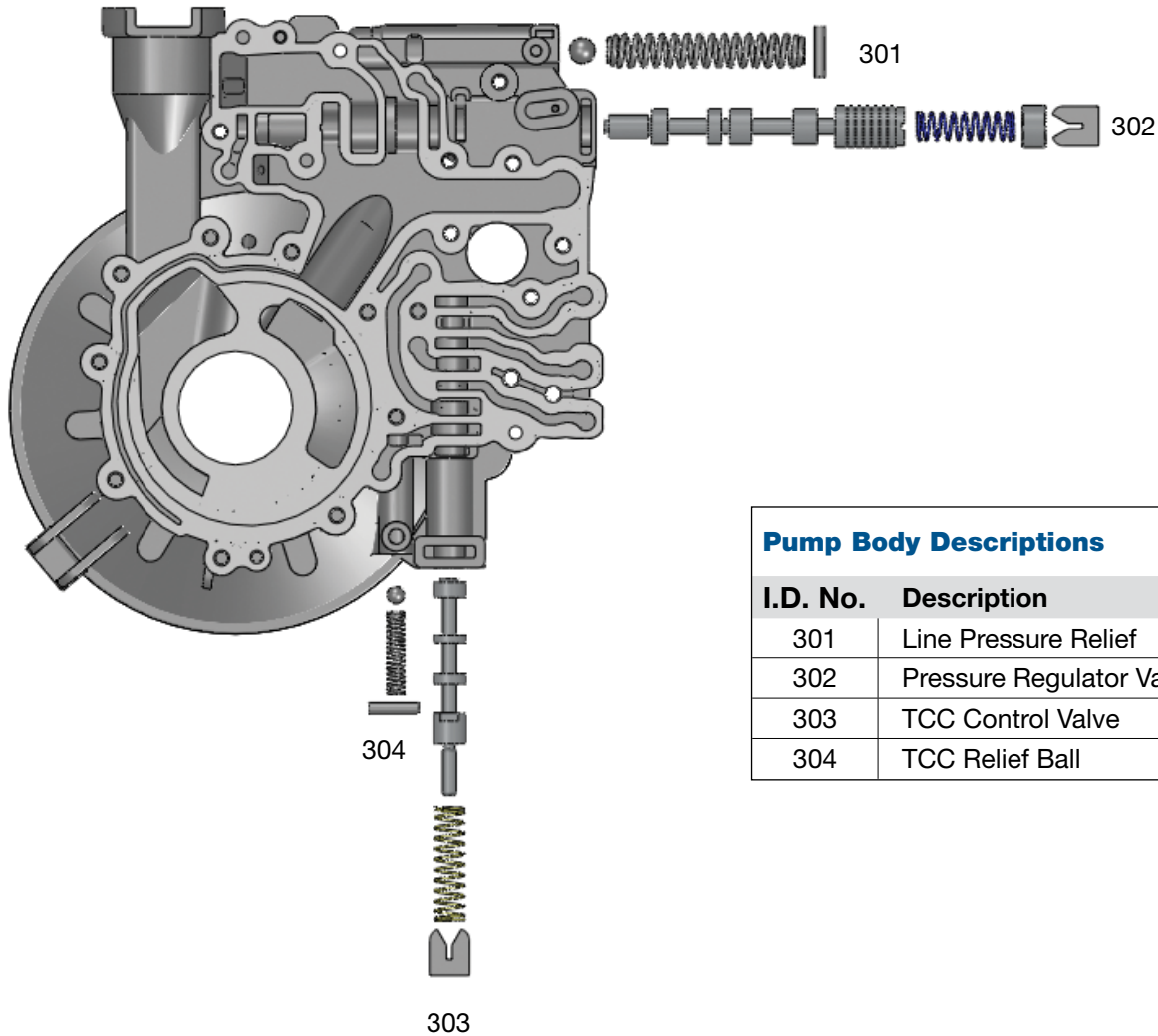
**Solenoid Valve Body
6F35, Gen. 1 Shown**



OE Exploded View

Pump Body • 6F35, Gen. 1 Shown

NOTE: Depending upon vehicle application, the OE springs shown may not be present.



Pump Body Descriptions	
I.D. No.	Description
301	Line Pressure Relief
302	Pressure Regulator Valve
303	TCC Control Valve
304	TCC Relief Ball