

Critical Wear Areas & Vacuum Test Locations

ZIP Drop-In Zip Valve™ Parts Available

6T40-ZIP Zip Kit® Available

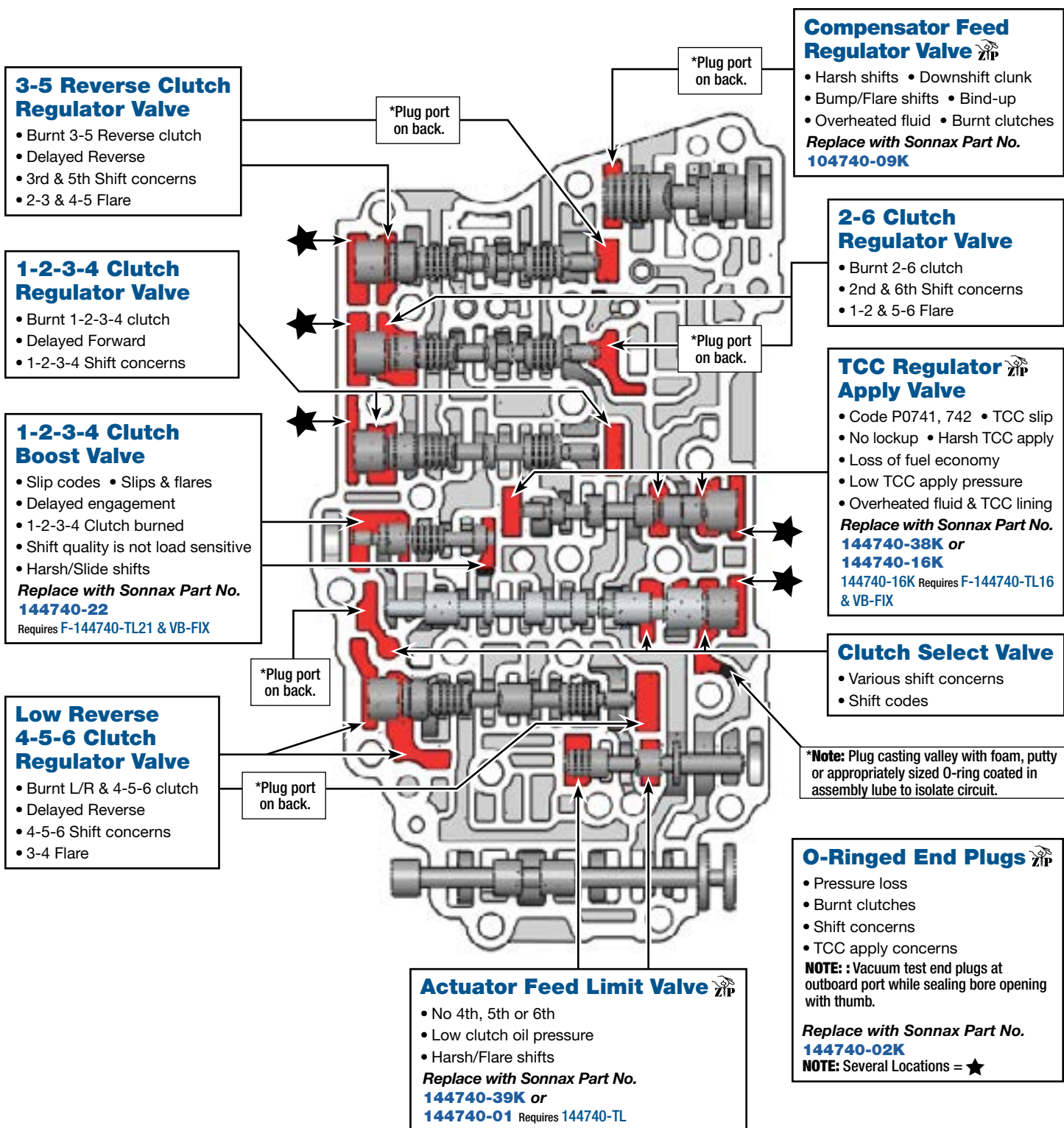
NOTE: OE valves are shown in rest position and should be tested in rest position unless otherwise indicated. Test locations are pointed to with an arrow. Springs are not shown for visual clarity. Low vacuum reading indicates wear and Sonnax parts are noted for replacement.

Control Valve Body Front • 6T40 Gen. 1 Shown



For specific vacuum test information, refer to individual part instructions included in kits and available at www.sonnax.com.

Click on Sonnax part numbers to see more information.



3-5 Reverse Clutch Regulator Valve

- Burnt 3-5 Reverse clutch
- Delayed Reverse
- 3rd & 5th Shift concerns
- 2-3 & 4-5 Flare

1-2-3-4 Clutch Regulator Valve

- Burnt 1-2-3-4 clutch
- Delayed Forward
- 1-2-3-4 Shift concerns

1-2-3-4 Clutch Boost Valve

- Slip codes • Slips & flares
- Delayed engagement
- 1-2-3-4 Clutch burned
- Shift quality is not load sensitive
- Harsh/Slide shifts

Replace with Sonnax Part No. 144740-22
Requires F-144740-TL21 & VB-FIX

Low Reverse 4-5-6 Clutch Regulator Valve

- Burnt L/R & 4-5-6 clutch
- Delayed Reverse
- 4-5-6 Shift concerns
- 3-4 Flare

Compensator Feed Regulator Valve

- Harsh shifts • Downshift clunk
 - Bump/Flare shifts • Bind-up
 - Overheated fluid • Burnt clutches
- Replace with Sonnax Part No. 104740-09K**

2-6 Clutch Regulator Valve

- Burnt 2-6 clutch
- 2nd & 6th Shift concerns
- 1-2 & 5-6 Flare

TCC Regulator Apply Valve

- Code P0741, 742 • TCC slip
 - No lockup • Harsh TCC apply
 - Loss of fuel economy
 - Low TCC apply pressure
 - Overheated fluid & TCC lining
- Replace with Sonnax Part No. 144740-38K or 144740-16K**
144740-16K Requires F-144740-TL16 & VB-FIX

Clutch Select Valve

- Various shift concerns
- Shift codes

***Note:** Plug casting valley with foam, putty or appropriately sized O-ring coated in assembly lube to isolate circuit.

O-Ringed End Plugs

- Pressure loss
 - Burnt clutches
 - Shift concerns
 - TCC apply concerns
- NOTE:** : Vacuum test end plugs at outboard port while sealing bore opening with thumb.

Replace with Sonnax Part No. 144740-02K
NOTE: Several Locations = ★

Actuator Feed Limit Valve

- No 4th, 5th or 6th
 - Low clutch oil pressure
 - Harsh/Flare shifts
- Replace with Sonnax Part No. 144740-39K or 144740-01** Requires 144740-TL

Critical Wear Areas & Vacuum Test Locations

ZIP Drop-In Zip Valve™
Parts Available

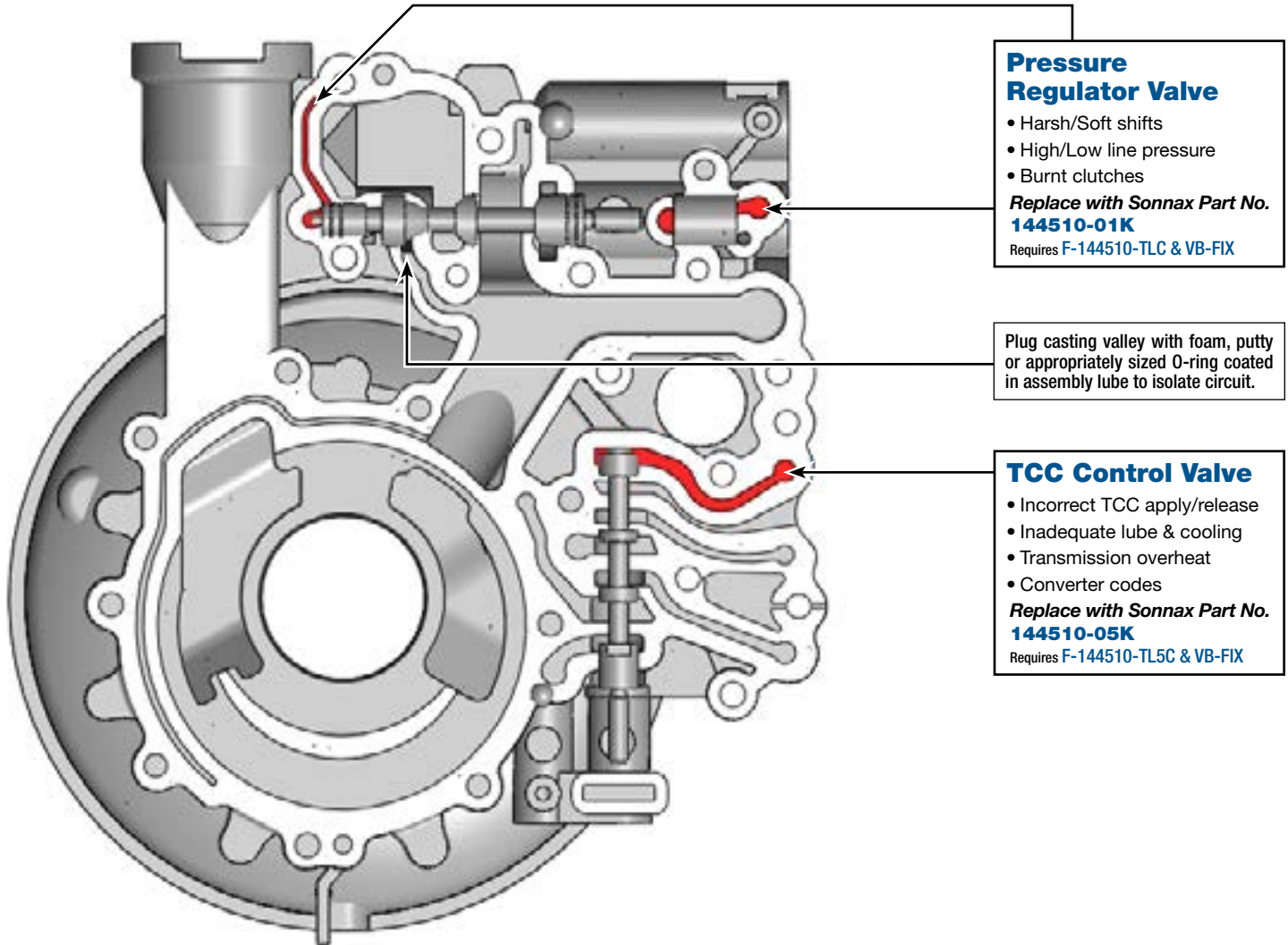
6T40-ZIP
Zip Kit® Available

NOTE: OE valves are shown in rest position and should be tested in rest position unless otherwise indicated. Test locations are pointed to with an arrow. Springs are not shown for visual clarity. Low vacuum reading indicates wear and Sonnax parts are noted for replacement.



For specific vacuum test information, refer to individual part instructions included in kits and available at www.sonnax.com.

Click on Sonnax part numbers to see more information.



Pressure Regulator Valve

- Harsh/Soft shifts
- High/Low line pressure
- Burnt clutches

Replace with Sonnax Part No. 144510-01K
Requires F-144510-TLC & VB-FIX

Plug casting valley with foam, putty or appropriately sized O-ring coated in assembly lube to isolate circuit.

TCC Control Valve

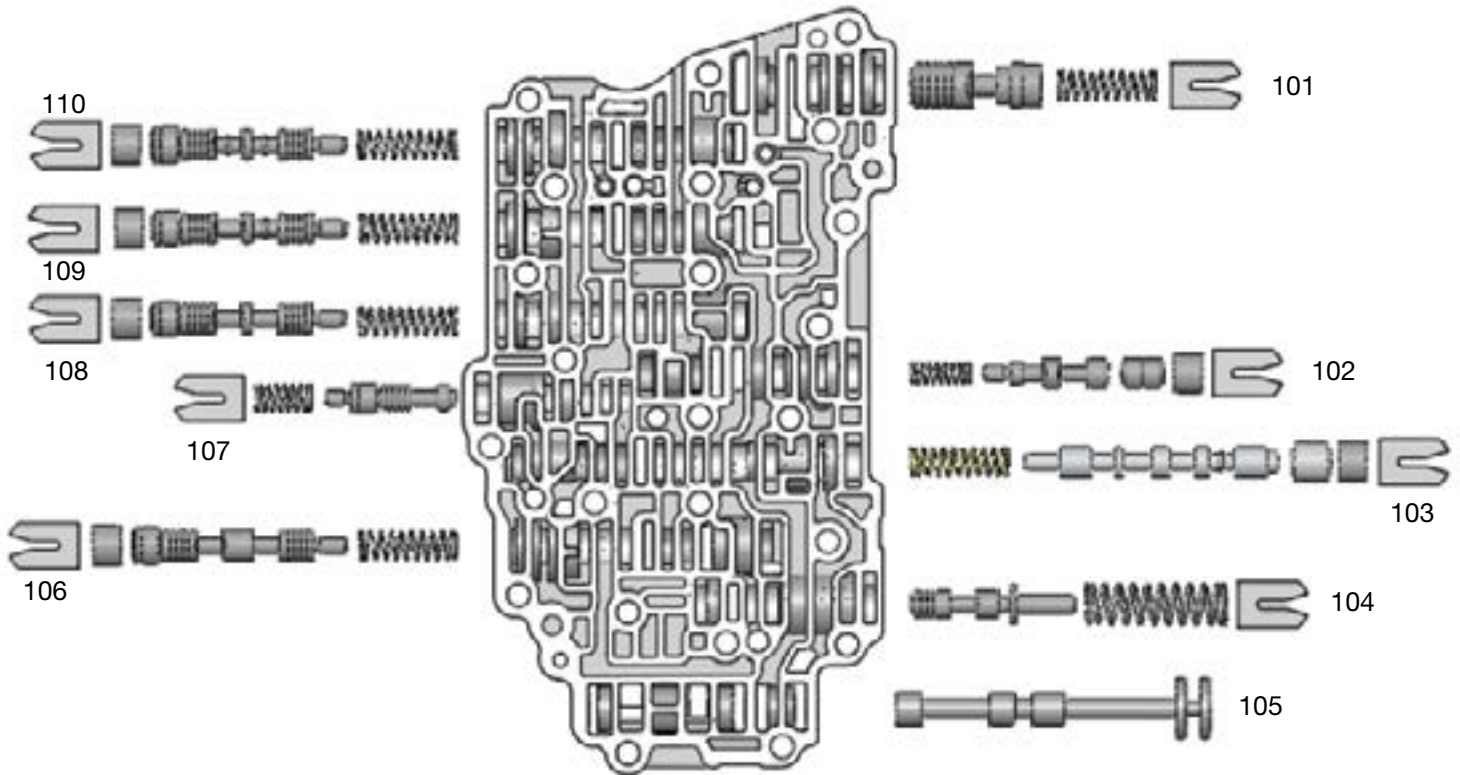
- Incorrect TCC apply/release
- Inadequate lube & cooling
- Transmission overheat
- Converter codes

Replace with Sonnax Part No. 144510-05K
Requires F-144510-TL5C & VB-FIX

OE Exploded View

Control Valve Body • 6T40 Gen. 1 Shown

NOTE: Depending upon vehicle application, the OE springs shown may not be present.



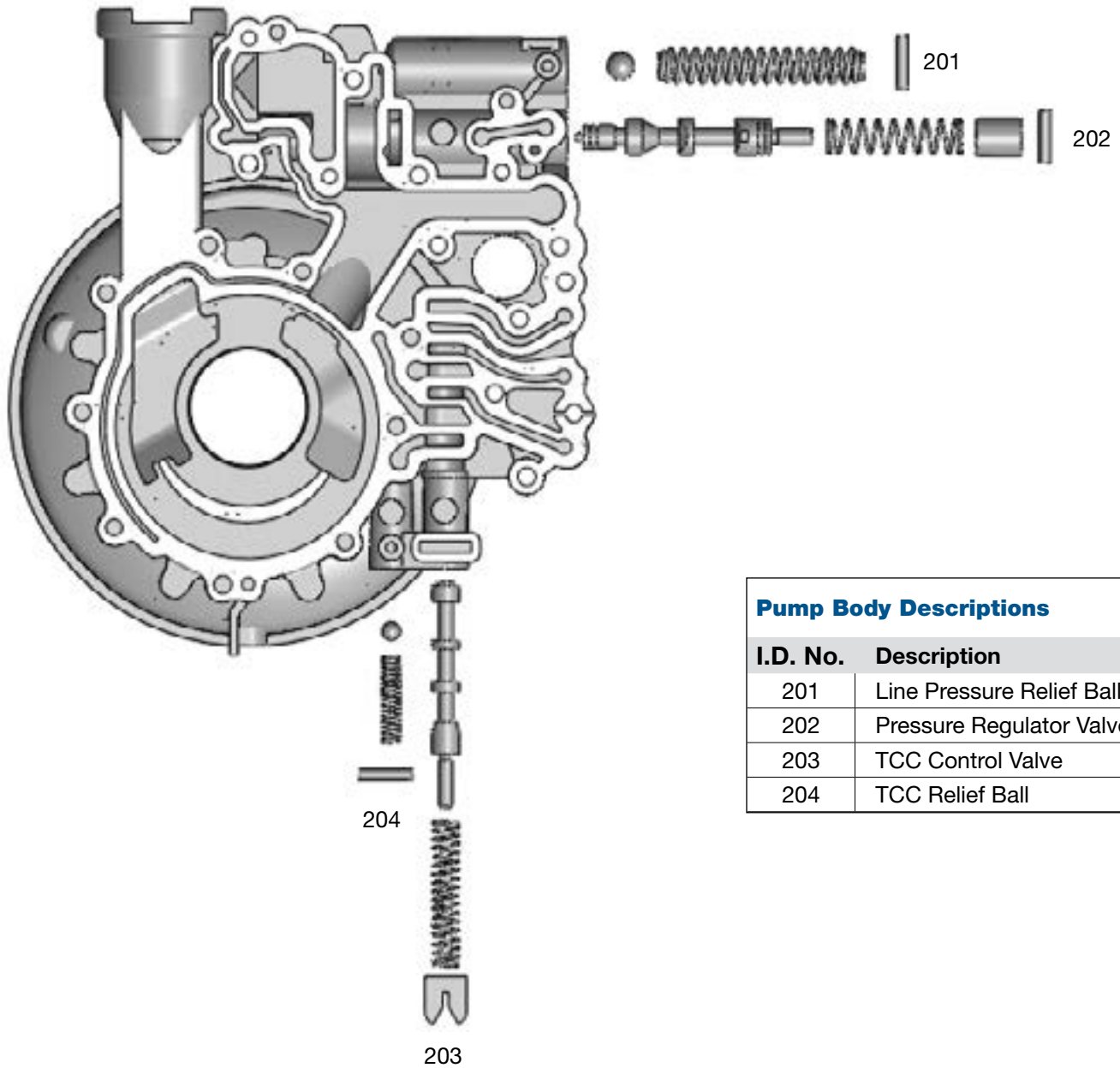
Control Valve Body Descriptions

I.D. No.	Description
101	Compensator Feed Limit Valve
102	TCC Regulator Apply Valve
103	Clutch Select Valve (inboard) Shuttle Valve (outboard)
104	Actuator Feed Limit Valve
105	Manual Valve
106	Reverse & 4-5-6 Clutch Regulator Valve
107	1-2-3-4 Clutch Boost Valve
108	1-2-3-4 Clutch Regulator Valve
109	2-6 Clutch Regulator Valve
110	3-5 Reverse Clutch Regulator Valve

OE Exploded View

Pump Body • 6T40 Gen. 1 Shown

NOTE: Depending upon vehicle application, the OE springs shown may not be present.



Pump Body Descriptions

I.D. No.	Description
201	Line Pressure Relief Ball
202	Pressure Regulator Valve
203	TCC Control Valve
204	TCC Relief Ball