

# Critical Wear Areas & Vacuum Test Locations



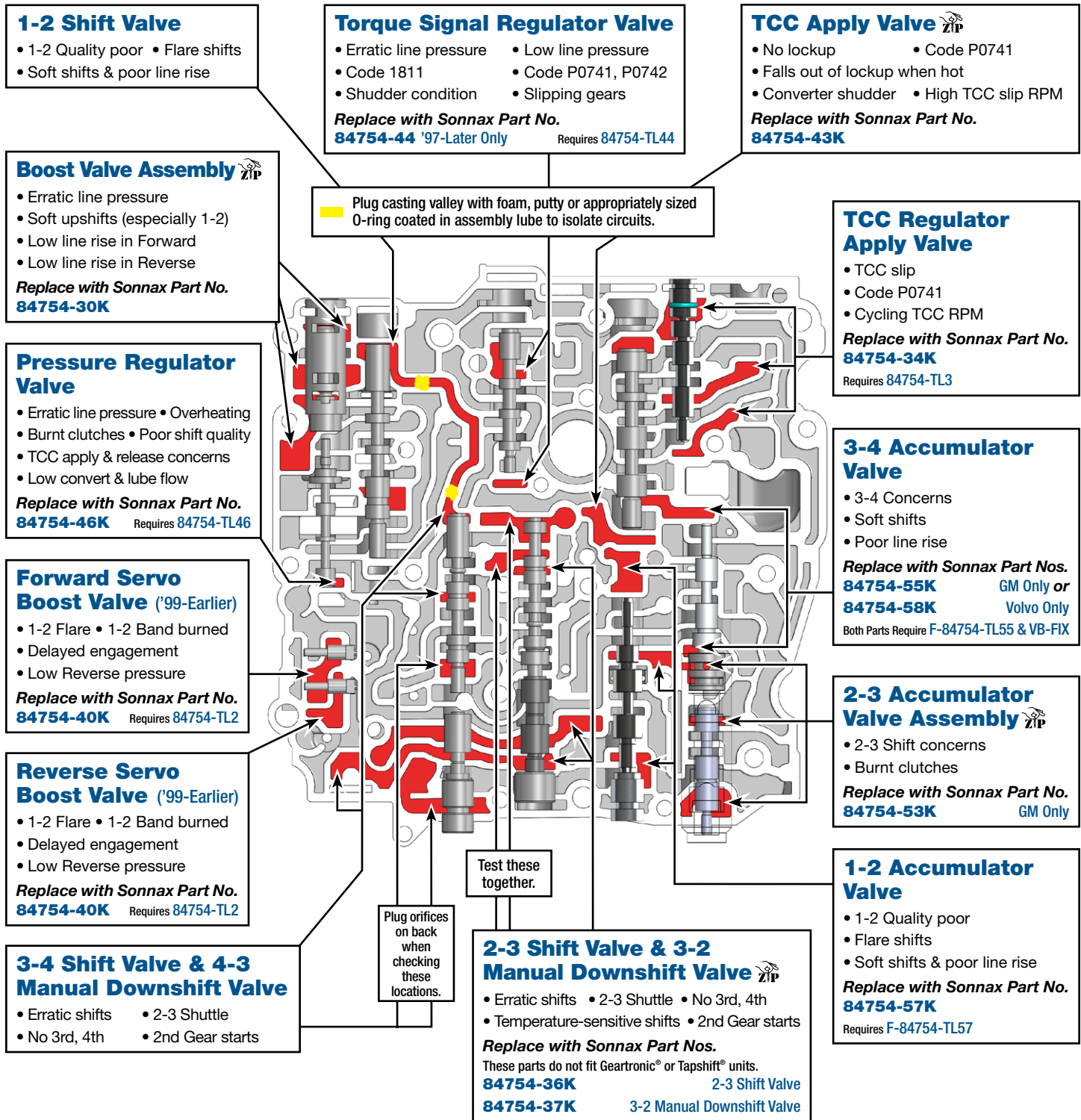
**NOTE:** OE valves are shown in rest position and should be tested in rest position unless otherwise indicated. Test locations are pointed to with an arrow. Springs are not shown for visual clarity. Low vacuum reading indicates wear and Sonnax parts are noted for replacement.

## Valve Body



For specific vacuum test information, refer to individual part instructions included in kits and available at [www.sonnax.com](http://www.sonnax.com).

Click on Sonnax part numbers to see more information.



# Critical Wear Areas & Vacuum Test Locations



**NOTE:** OE valves are shown in rest position and should be tested in rest position unless otherwise indicated. Test locations are pointed to with an arrow. Springs are not shown for visual clarity. Low vacuum reading indicates wear and Sonnax parts are noted for replacement.

## Channel Plate Casting

Only a portion of the channel plate casting shown here.



For specific vacuum test information, refer to individual part instructions included in kits and available at [www.sonnax.com](http://www.sonnax.com).

**Click on Sonnax part numbers to see more information.**

### Actuator Feed Limit Valve

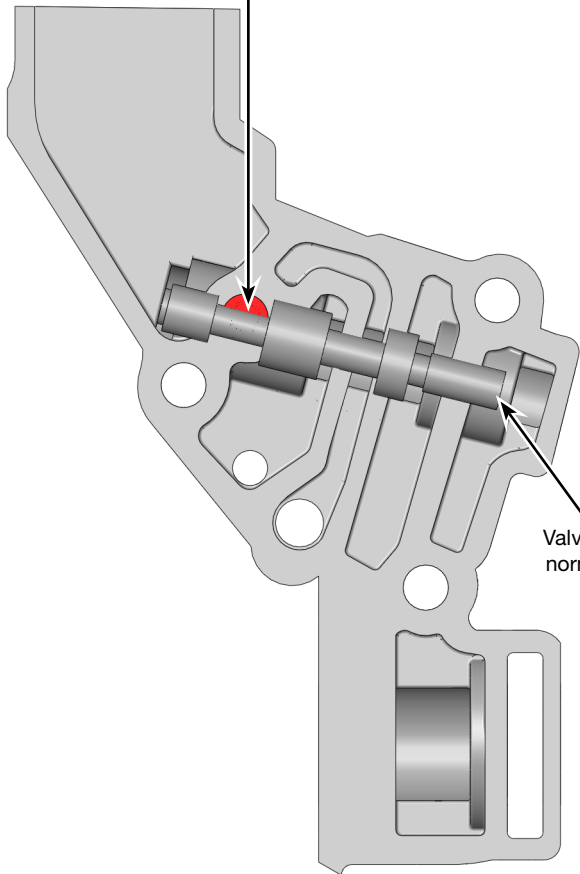
- Erratic line pressure
- Maximum adapt
- Code 1811
- 2nd Gear starts
- Poor EPC control
- Long Shifts
- TCC piston failure

**Replace with Sonnax Part No. 84596-02K**

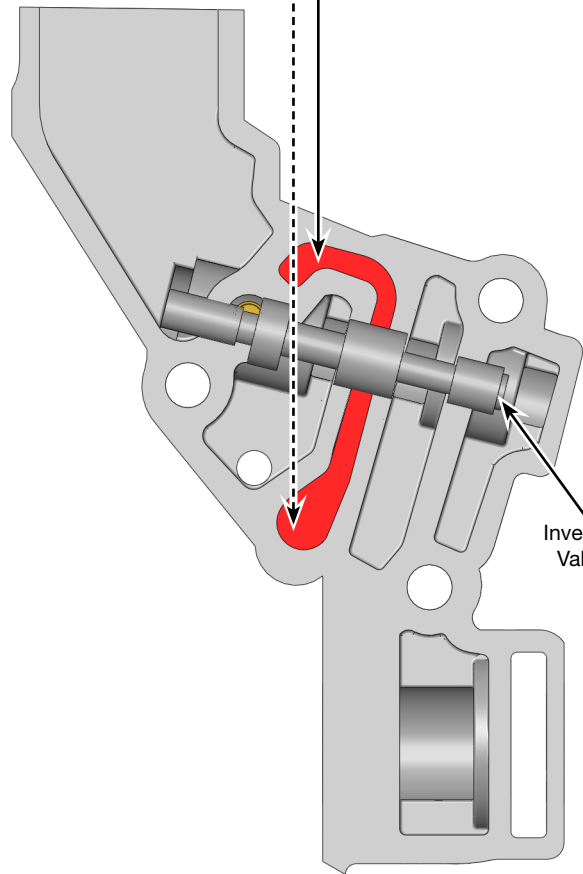
Requires F-84596-TL & VB-FIX

Plug casting valley with foam, putty or appropriately sized O-ring coated in assembly lube to isolate circuits.

Must seal orifice on back when testing here.



Valve installed in normal position.

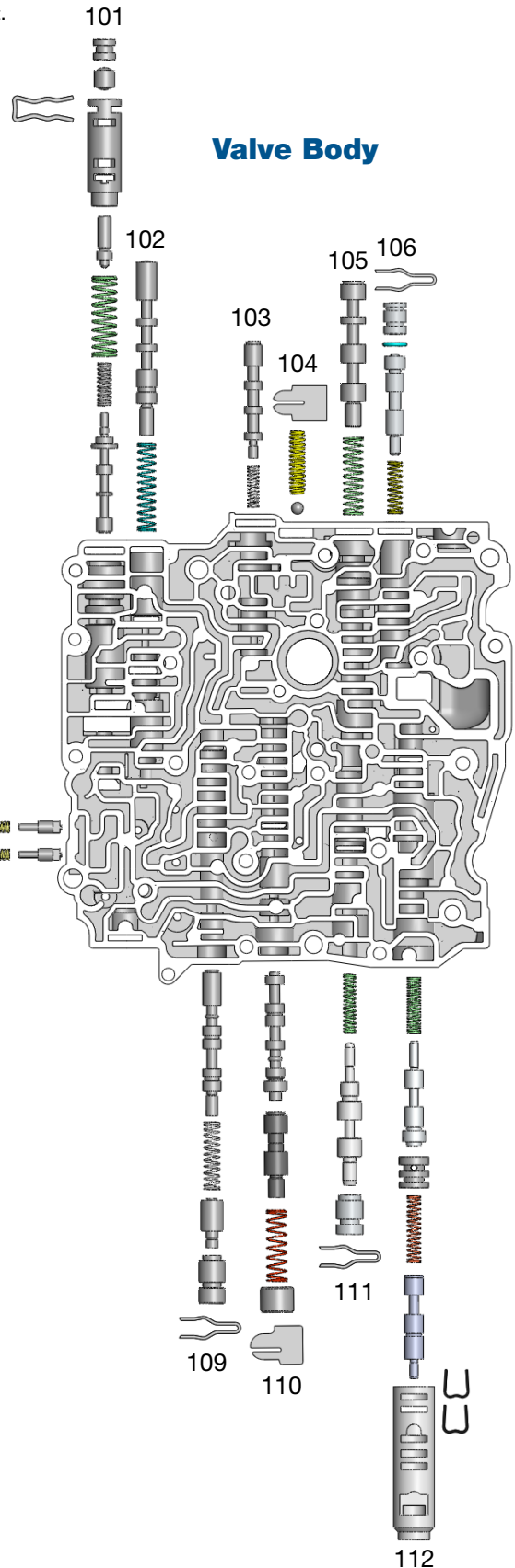


Inverted Valve

# OE Exploded View

**NOTE:** Depending upon vehicle application, the OE springs shown may not be present. Solenoids not shown.

Valve Body Descriptions	
I.D. No.	Description
101	Pressure Regulator Valve (inboard) Boost Valve Assembly (outboard)
102	1-2 Shift Valve
103	Torque Signal Regulator Valve
104	Line Pressure Relief Valve
105	TCC Apply Valve
106	TCC Regulator Apply Valve
107	Forward Servo Boost Valve ('99-Earlier)
108	Reverse Servo Boost Valve ('99-Earlier)
109	3-4 Shift Valve (inboard) 4-3 Manual Downshift Valve (outboard)
110	2-3 Shift Valve (inboard) 3-2 Manual Downshift Valve (outboard)
111	1-2 Accumulator Valve
112	3-4 Accumulator Valve (inboard) 2-3 Accumulator Valve Assembly (outboard)
201	Actuator Feed Limit Valve



## Channel Plate Casting

Only a portion of the channel plate casting shown here.

