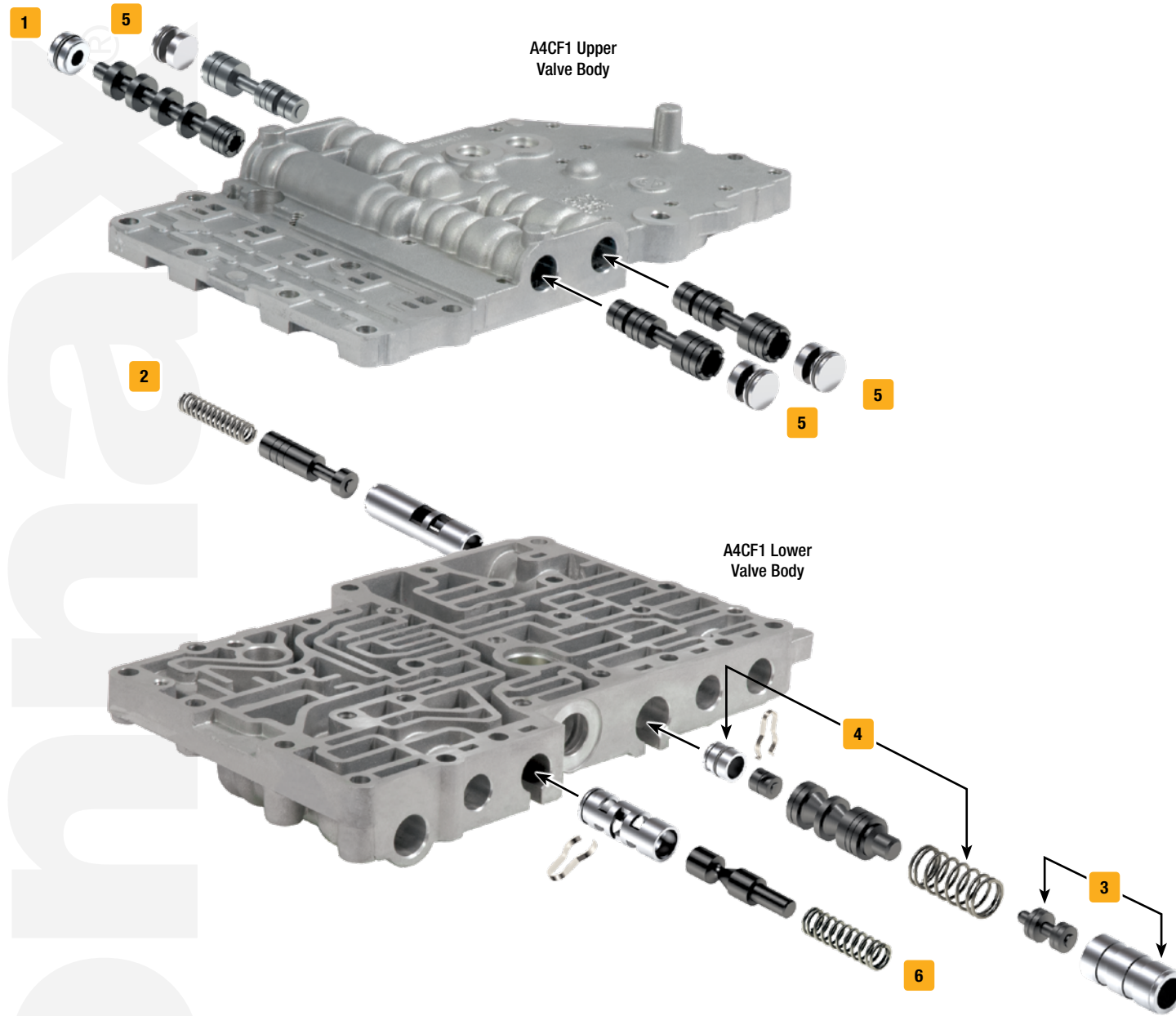


Click on part numbers for product details or visit www.sonnax.com to see all products for the unit(s) shown here.



Symptoms/Part Type	Product Name	Part No.	Details	Tooling
TCC/Lockup Symptoms				
TCC codes, Overheating, TCC apply & release concerns, Cycling TCC RPM	Oversized Damper Clutch Control Valve Kit	1 84741-13K		F-84741-TL13*‡
Converter shudder & TCC slip, TCC apply & release concerns, TCC codes, Overheating	TCC Regulator Valve Kit	2 84741-07K		
Pressure Problems				
Soft shifts, High line pressure in Reverse, Low line rise in Drive	Boost Valve Kit	3 84741-01K		
Soft shifts, Clutch failure, Harsh shifts, Low line pressure, High line pressure	Oversized Pressure Regulator Valve Kit	4 84741-03K		84741-TL3
Shift/Engagement Concerns				
Shift concerns, Burnt clutches	Oversized Pressure Control Valve Kit	5 84741-16K	Fits any of 3 locations	F-84741-TL16* ‡
Delayed Forward, Shift concerns, Low line pressure, No lockup	Pressure Reducing Valve Kit	6 84741-10K		F-84741-TL10*

* VB-FIX Required

‡ No longer in production. Check with your distributor for availability.