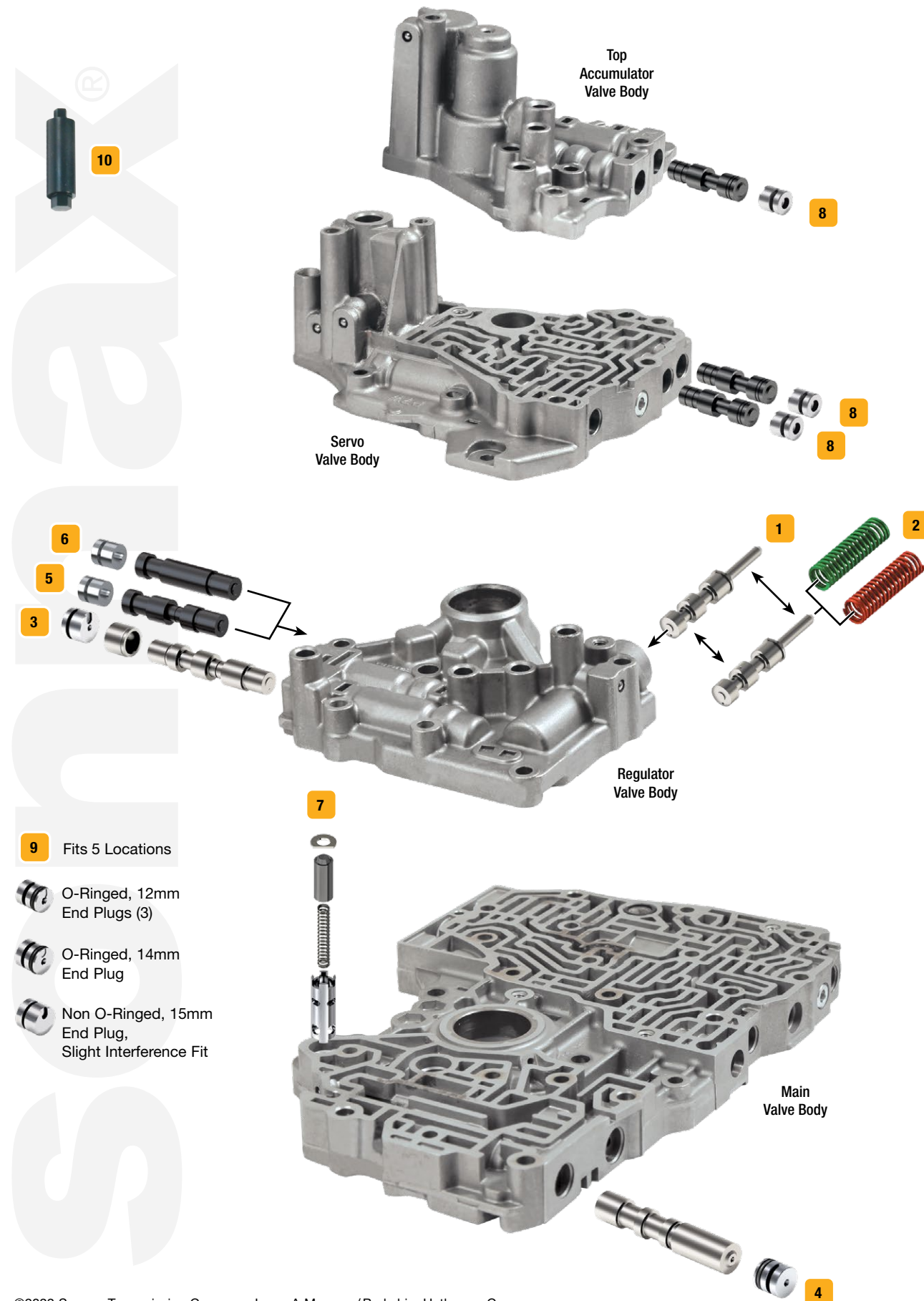


# Honda/Acura 4-Speed, 3-Shaft & 5-Speed



Click on part numbers for product details or visit [www.sonnax.com](http://www.sonnax.com) to see all products for the unit(s) shown here.



Symptoms/Part Type	Product Name	Part No.	Details	Tooling
<b>TCC/Lockup Symptoms</b>				
Low cooler flow idling in gear, Overheated converter fluid, TCC codes, TCC lining failure	Converter Charge Regulated Pressure Regulator Valve	1 98892-04K	ZIP	
Overheated converter fluid, Low cooler flow, TCC codes, TCC lining failure	Oversized Converter Charge Regulated Pressure Regulator Valve Kit	2 98892-13K	Includes 2 spring options as needed for multiple applications	F-98892-TL13*
TCC codes, Overheated converter fluid, Poor converter & cooler oil flow	Oversized Lockup Control Valve Kit	3 98892-17K	4-Speed only	F-98892-TL17*‡
Lube failures, Overheating & reduced lube feed	Lockup Shift Valve Kit	4 98892-16K	ZIP 5-Speed only	
TCC codes, TCC lining failure, Overheated converter, Poor converter & cooler oil flow	Oversized Lockup Timing Valve Kit	5 98892-22K	Three .471" dia. spools	F-98892-TL22*
	Oversized Lockup Timing Valve Kit	6 98892-24K	Two .471" dia. spools	F-98892-TL22*
Overheated converter fluid, Poor converter & cooler oil flow, TCC codes	O-Ringed TC Check Valve Kit	7 98892-29K	ZIP	
	O-Ringed TC Check Valve Kit	7 98892-32K	ZIP 5-Speed only	
	TC Check Valve Kit	7 98892-06K	ZIP	
	TC Check Valve Kit	7 98892-10K	ZIP 5-Speed only	
<b>Shift/Engagement Concerns</b>				
Flare shifts, Bump shifts, Flare downshifts, Slide shifts, Burnt clutches	Oversized CPC Valve Kit	8 98892-23K		F-98892-TL23*
Erratic shifts, Soft & inconsistent shift feel, Low CPC Pressure, Low cooler flow	O-Ringed End Plug Kit	9 98892-01K	ZIP Fits units with dual linear solenoids only, includes 5 end plugs: 12mm, 14mm, 15mm (non-O-ringed)	
Various concerns depending on location of leaking end plug, Low CPC Pressure	O-Ringed End Plug	9 98892-01	ZIP Fits units with dual linear solenoids only, 12mm	
Various concerns depending on location of leaking end plug, Low cooler flow	O-Ringed End Plug	9 98892-02	ZIP Fits units with dual linear solenoids only, 14mm	
Inconsistent shift quality, TCC codes, TCC lining failure	End Plug	9 98892-03	ZIP Fits units with dual linear solenoids only, 15mm, slight interference fit	
<b>Tools</b>				
	Solenoid Adjustment Tool	10 88950-T		

\* VB-FIX Required

‡ No longer in production. Check with your distributor for availability.