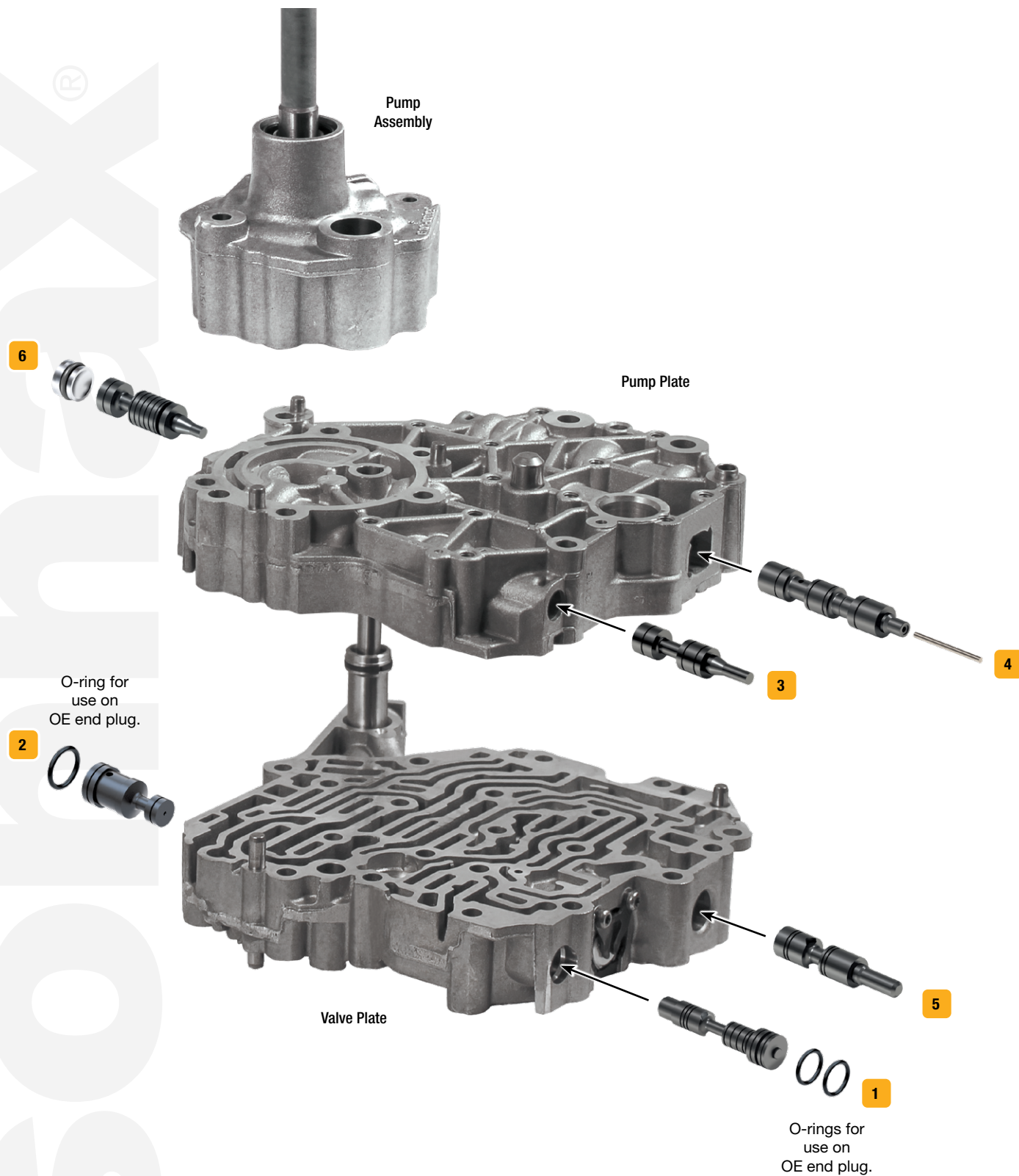


Click on part numbers for product details or visit www.sonnax.com to see all products for the unit(s) shown here.



Symptoms/Part Type	Product Name	Part No.	Details	Tooling
Shift/Engagement Concerns				
Chatter on Forward, Chatter on Reverse, Clutch friction failure & overheat	Oversized Clutch Control (KSV) Valve Kit	1 33741B-03K		F-33741B-TL2*
Delayed engagement, Slips in Forward & Reverse	Oversized MDV Minimum Pressure Valve Kit	2 33741B-14K		F-33741B-TL14*
Delayed Forward, Chatter on Forward, Harsh Forward	Oversized Safety Valve	3 33741B-01		F-33741B-TL1*
Chatter on acceleration, Ratio errors, Distress on pulley #1, #2 & chain surface	Oversized UV Reduction Valve Kit	4 33741B-08K		F-33741B-TL8*
Delayed engagement, Chatter on acceleration, Adaptive limit codes	Oversized VSTV Pilot Pressure Valve	5 33741B-06		F-33741B-TL6*
Component Damage/Failure				
Chatter on acceleration, Push belt & sheave (pulley) surface damage	Oversized Volumetric Flow Rate Kit	6 33741B-04K		F-33741B-TL4*

* VB-FIX Required