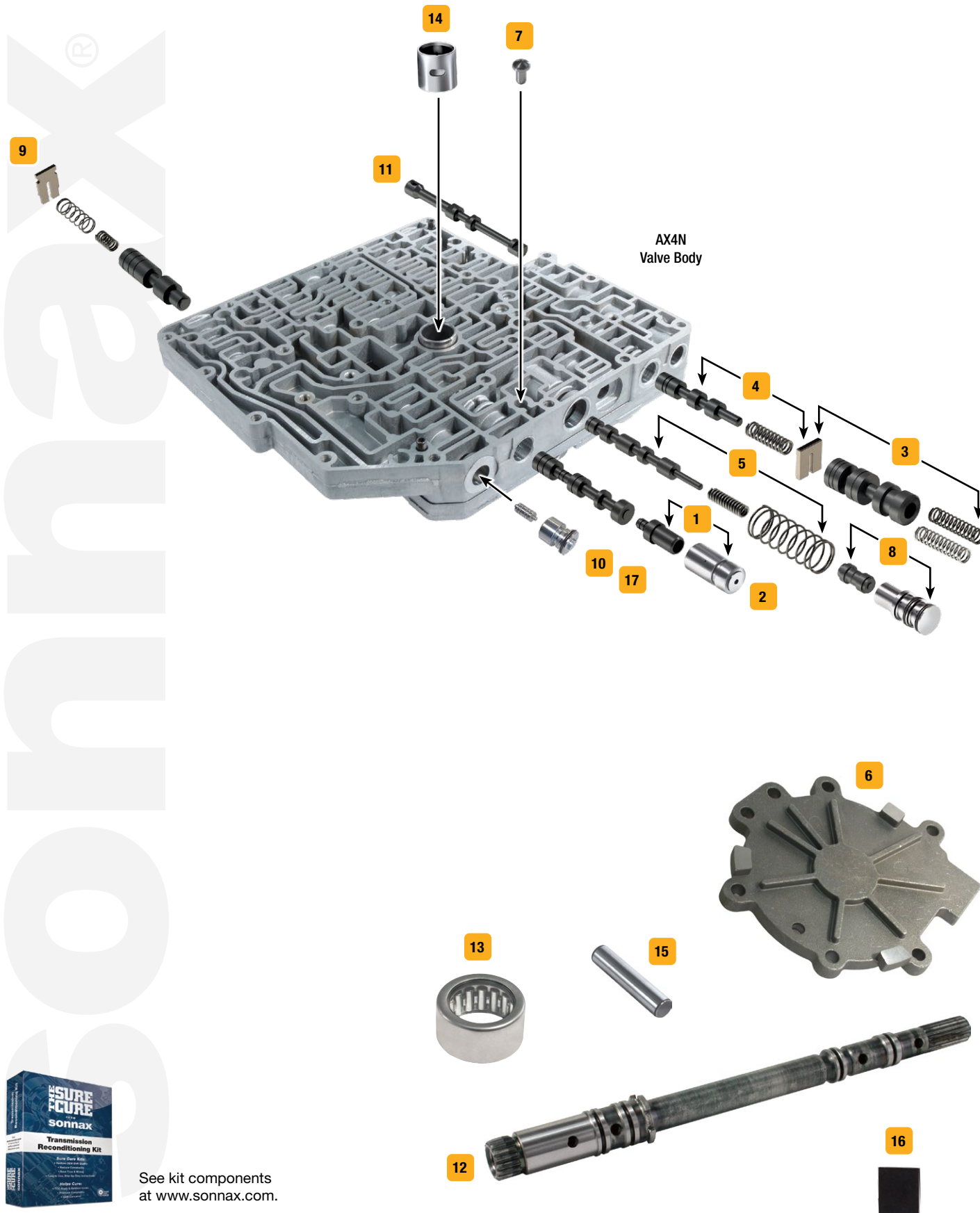


Ford AX4N/4F50N



Click on part numbers for product details or visit www.sonnax.com to see all products for the unit(s) shown here.



See kit components at www.sonnax.com.



Symptoms/Part Type	Product Name	Part No.	Details	Tooling
Multiple Symptoms				
Comprehensive kit for big problems you don't want back	The Sure Cure® Kit	SC-AX4N		96206-TL, 96201-TL2‡, 96201-TL3‡, 96206-BST ††
TCC/Lockup Symptoms				
Code 628, TCC cycling, TCC surge, No lockup, Lube failures, Excess cooler circuit oil loss	Bypass Clutch Control Plunger Valve Kit	1 96206-03K	ZIP .486" OE large spool dia.	
	Bypass Clutch Control Plunger Valve Kit	1 96206-13K	ZIP .496" OE large spool dia.	
Code P0741, TCC shudder, TCC cycling, Excess TCC slip, TCC apply & release concerns	Oversized Bypass Clutch Control Valve Kit	2 96206-05K		96206-TL
Code 628, 741, 744, TCC cycling, Overheating & reduced lube feed, Delayed engagement, No 4th	Oversized Converter Regulator Valve Kit	3 96201-23K	Works in 2- or 4-spooled OE applications	F-96201-TL23*, 96201-TL3‡
Code 1741, 1744, TCC cycling, No lockup, TCC surge	Oversized Solenoid Regulator Valve Kit	4 96201-21K		96201-TL2‡
Pressure Problems				
Erratic line pressure, Delayed engagement, Pump noise, Pump rotor & cover damage	Oversized Pressure Regulator Valve Kit	5 96206-10K	Late-style design	96206-TL2
Low line pressure & pump volume	Pump Cover	6 96200-01	Increased thickness to prevent flexing	
Pressure loss, Converter drain back	Relief Valve	7 10000-01K	Low radius, 10/bag	
Shift/Engagement Concerns				
1-2 Flare, 2-3 Flare, 2-1 Clunk, Harsh Reverse, Clutch failure, Band failure	Boost Valve Kit	8 96201-01K	ZIP Fits all except 3.0 liter 12 valve, .491" dia. valve, includes O-rings	
	Boost Valve Kit	8 96201-08K	ZIP Fits all except 3.0 liter 12 valve, .491" dia. valve, factory style sleeve	
	Boost Valve Kit	8 96201-12K	ZIP Fits 3.0 liter 12 valve, .475" dia. valve, includes O-rings	
	Boost Valve Kit	8 96201-13K	ZIP Fits 3.0 liter 12 valve, .475" dia. valve, factory style sleeve	
Coastdown Neutral after 4th Gear, No Forward, No 4th, Burnt Forward clutch	Forward Control Valve Kit	9 96206-07K	ZIP	96206-BST ††
Intermittent harsh shifts, 1-2 Soft, 2-3 Soft, Low line rise, Low EPC pressure	Line Pressure Modulator Plunger Valve Kit	10 96948-01K	ZIP AX4N only, .427" valve dia.	
Delayed Forward, Burnt Forward clutch	Manual Valve	11 96201-05	ZIP Lengthened spool diameter	
Component Damage/Failure				
Scored shaft	Oil Pump Shaft	12 96855-02K	Patented design increases oil flow	
Bearing noise, Bearing failure	Pump Bearing	13 96419-01	'00-Later for AX4N, with integral seal	
Lost or damaged component	Pump Shaft Sleeve	14 96201-18		
	Pump Slide Pin	15 96200-02	5/Bag	
	Pump Vane	16 96925	OE	
High Performance/Heavy Duty Upgrades				
Significantly firmer shifts at any gear	Line Pressure Modulator Plunger Valve Kit	17 96948-05K	ZIP AX4N only, extreme heavy duty, .500" dia.	

* VB-FIX Required

† Recommended Tool

‡ No longer in production. Check with your distributor for availability.