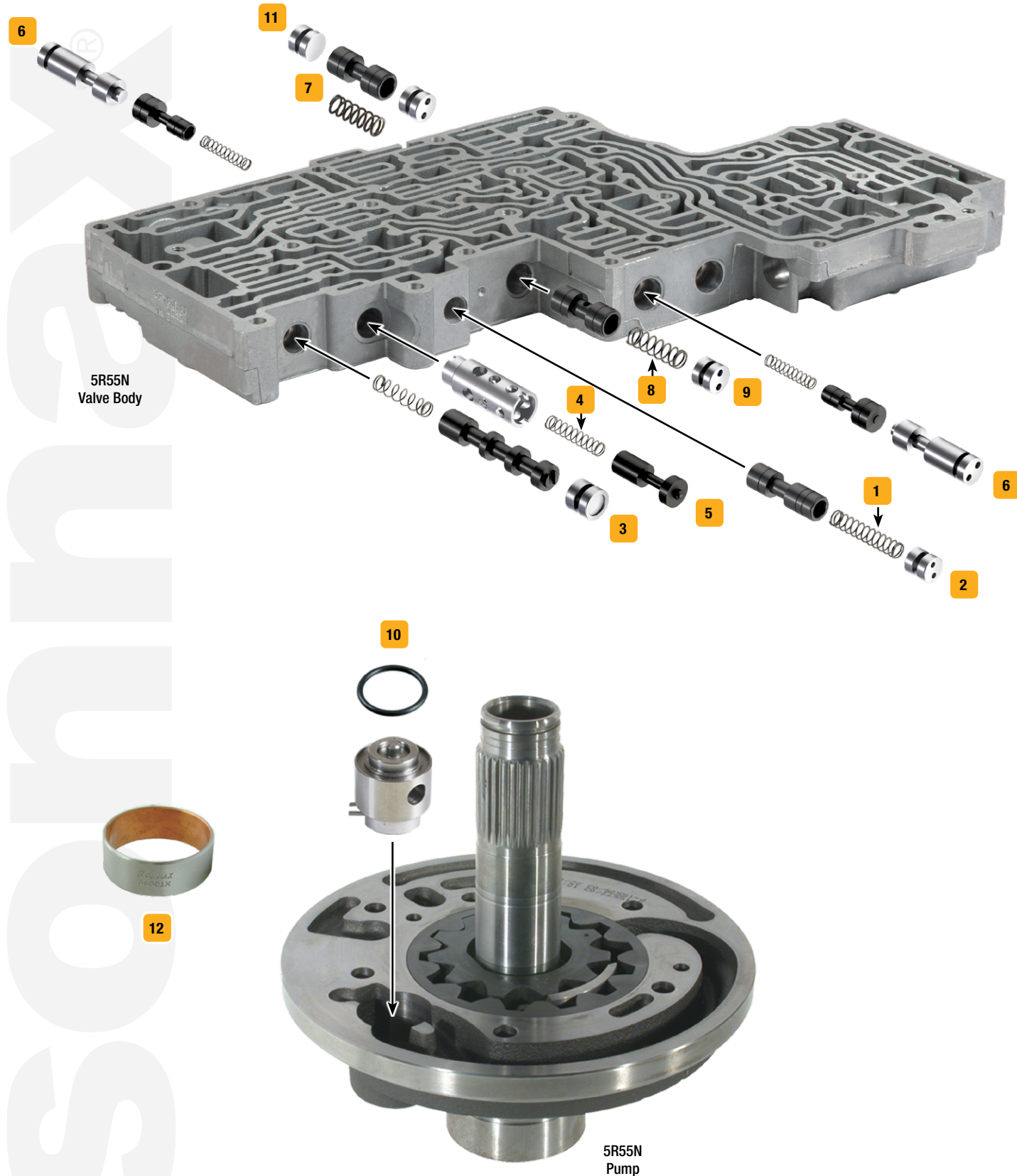



Click on part numbers for product details or visit [www.sonnax.com](http://www.sonnax.com) to see all products for the unit(s) shown here.



Symptoms/Benefits	Product Name	Part No.	Details	 Drop-In Zip Valve™ Parts	Tooling
<b>TCC/Lockup Symptoms</b>					
Harsh TCC apply, Excess TCC slip, Low line pressure, TCC lining overheat	TCC Back Pressure Spring	<a href="#">1</a> <a href="#">56947J-S5</a>	5/Bag		
TCC apply concerns, TCC codes, Delayed engagement, Burnt converter	Oversized TCC Back Pressure Valve Kit	<a href="#">2</a> <a href="#">56947J-63K</a>			F-56947J-TL63*‡
Code P0741, Excess TCC slip, TCC lining failure, Overheated converter, Low cooler flow	Oversized TCC Control Valve Kit	<a href="#">3</a> <a href="#">56947J-05K</a>			F-56947J-TL2*
Harsh TCC apply, TCC slip	TCC Modulator Spring	<a href="#">4</a> <a href="#">56947J-S4</a>	5/Bag		
Code P0741, Excess TCC slip, Code 1783, High line pressure, Overheated transmission	TCC Modulator Valve Kit	<a href="#">5</a> <a href="#">56947J-15K</a>			F-56947J-TL15*
<b>Pressure Problems</b>					
Delayed Forward, Delayed Reverse, Low line pressure, High line pressure	Oversized PCA/PCB Modulator Valve Kit	<a href="#">6</a> <a href="#">56947J-49K</a>	Fits either of 2 locations		F-56947J-TL49*‡
<b>Shift/Engagement Concerns</b>					
Code 734, 735, Solenoid C Code, No 4th, No 5th	4-3 Pre-Stroke Valve Spring	<a href="#">7</a> <a href="#">56947J-S1</a>			
Delayed engagement, Burnt Forward clutch	Forward Engagement Control Spring	<a href="#">8</a> <a href="#">56947J-S6</a>	5/Bag		
Delayed Forward, Loss of Forward, Slipping gears, Burnt Forward clutch	Oversized Forward Engagement Valve Kit	<a href="#">9</a> <a href="#">56947J-56K</a>			F-27741-TL13*
Delayed engagement, No movement, Pump noise, Low line pressure	Pump Flow Control Valve Kit	<a href="#">10</a> <a href="#">56200-03K</a>		<b>ZIP</b>	
Delayed Reverse, No Reverse, Direct clutch burned	Oversized Reverse Engagement Valve Kit	<a href="#">11</a> <a href="#">56947J-59K</a>			F-27741-TL13*
<b>Component Damage/Failure</b>					
Repeat front seal leakage, Worn pump bushing, Worn converter hub	Bell Housing/Pump Cover Bushing	<a href="#">12</a> <a href="#">56001X</a>	Finish-in-place, 5/bag		

\* VB-FIX Required

‡ No longer in production. Check with your distributor for availability.