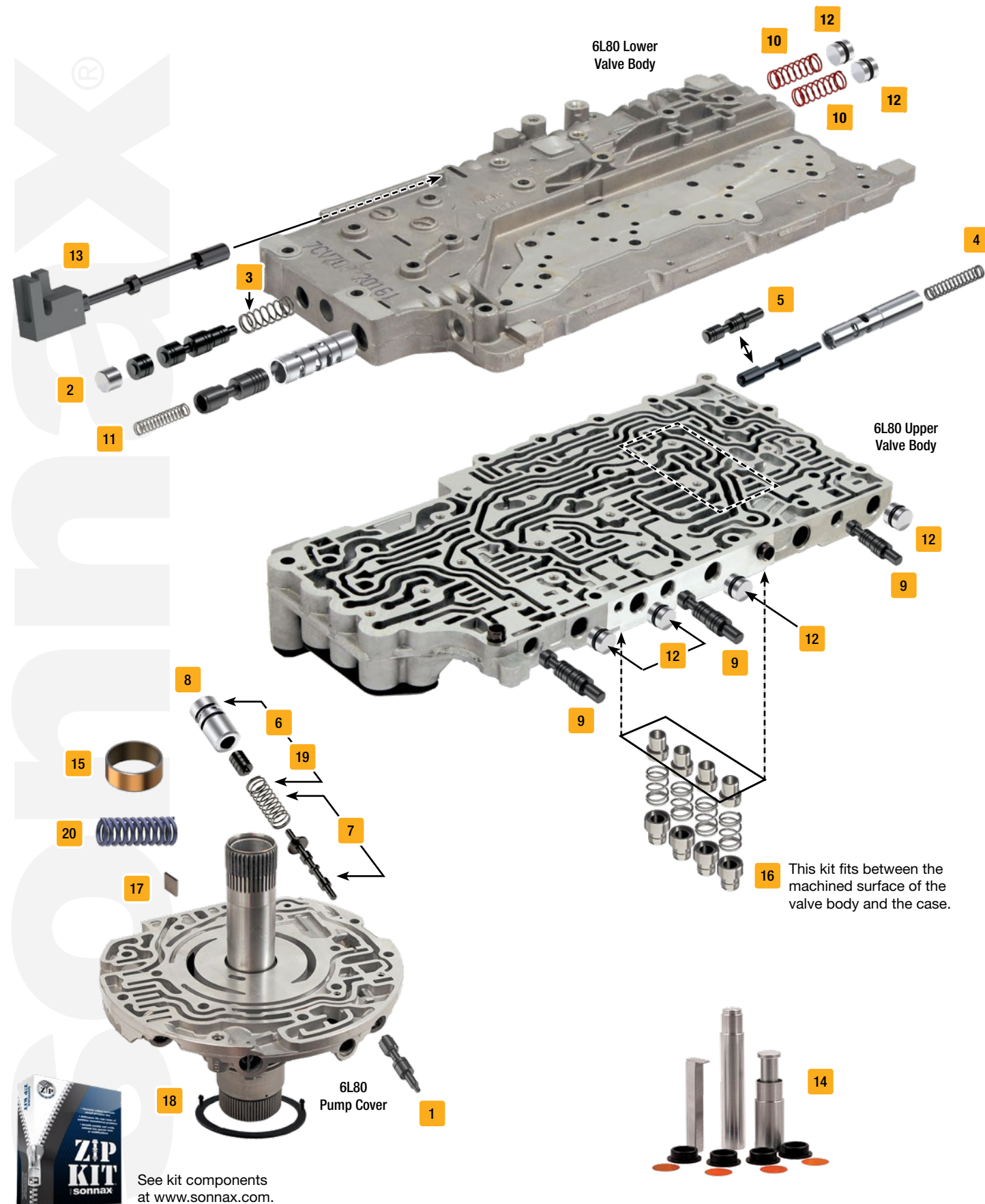


Click on part numbers for product details or visit www.sonnax.com to see all products for the unit(s) shown here.



See kit components at www.sonnax.com.

Symptoms/Part Type	Product Name	Part No.	Details	ZIP Drop-In Zip Valve™ Parts	Tooling
Multiple Symptoms					
The first step in correcting common shift problems	Zip Kit®	6L45-6L90-ZIP	ZIP		
TCC/Lockup Symptoms					
High TCC slip RPM, Code P0218, Code P0741, Overheated converter, Inadequate lubrication	Oversized Converter Feed Limit Valve	1 104520-11			F-104520-TL11C**
Overheated fluid, Failsafe mode, Harsh shifts, Harsh TCC apply, Loss of fuel economy	TCC Regulator Valve Kit	2 104740-46K	ZIP		
Code P0741, P0742, High TCC slip RPM, Overheated fluid, Failsafe mode, Harsh shifts	Oversized TCC Regulator Valve Kit	2 104740-07K			F-104740-TL7*
Vibration, Shudder condition	TCC Regulator Valve Spring	3 104740-45K	5/Bag		
Pressure Problems					
Solenoid performance codes, Clutch failure, Wrong gear starts, Harsh shifts, Soft shifts	Actuator Feed Limit Valve Kit	4 104740-47K	ZIP		
	Oversized Actuator Feed Limit Valve	5 104740-12			F-104740-TL12*
Low line rise in Drive, Soft shifts, Burnt clutches	Boost Valve Kit	6 104520-12K	ZIP		
Erratic line pressure, High line pressure, Low line pressure, Clutch slippage, Harsh shifts	Pressure Regulator Valve Kit	7 104520-14K	ZIP		
	Oversized Pressure Regulator & Boost Valve Kit	8 104520-07K			F-104520-TL7C**
Shift/Engagement Concerns					
Shift quality is not load sensitive, Clutch pressure solenoid codes, Burnt clutches	Oversized Clutch Boost Valve	9 104740-01	Fits any of 3 locations		F-104740-TL*
Code P0751, 1-2-3-4 Clutch burned, 3-5-Reverse clutch burned, Cruise control disabled	Clutch Select Valve Spring Kit	10 104740-02K	Mid '10-earlier, includes 2 springs		
Harsh shifts, Downshift clunk, 3-4 Bump, Bump shifts, Flare shifts, Bind-up, Burnt clutches	Compensator Feed Regulator Valve Kit	11 104740-09K	ZIP		
Shift concerns, Burnt clutches	O-Ringed End Plug Kit	12 104740-23K	ZIP Includes 6 end plugs		
No Forward, No Reverse, Gear ratio codes	Manual Valve Assembly	13 104740-24K	ZIP 6L45 BMW only		
Pressure switch codes, Switch codes, Pressure control out-of-range codes, Failsafe mode	Pressure Switch Rebuild Kit	14 124740-30K	Services one valve body, requires installation tool kit		124740-TL30
	Pressure Switch Rebuild Master Pack	14 124740-28K	Services 10 valve bodies, includes installation tool kit		
Component Damage/Failure					
Bushing wear, Bushing failure, Excess converter hub-to-bushing clearance, Pump noise	Pump Bushing	15 104034A	6L50, 6L80, 6L90 only, precision		
Burnt clutches, Loss of lube oil, Overheating & reduced lube feed	Center Support Seal Kit	16 104740-14K	ZIP		
Lost or damaged component	Pump Vane	17 76742			
Excess endplay	Selective Pump Thrust Washer	18 33452A	3/Bag		
High Performance/Heavy Duty Upgrades					
Classic, large-ratio boost valve for crisp, clean shifts without harshness.	Line Pressure Booster Kit	19 6L80-LB1			
Keeps pump in high-volume position at high RPM	Pump Slide Spring	20 104534-HD	6L80, 6L90 only		
Tools					
	Vacuum Test Plate Kit	104740-VTP			VACTEST-01K

* VB-FIX Required

** VB-FIX & VB-06 Required