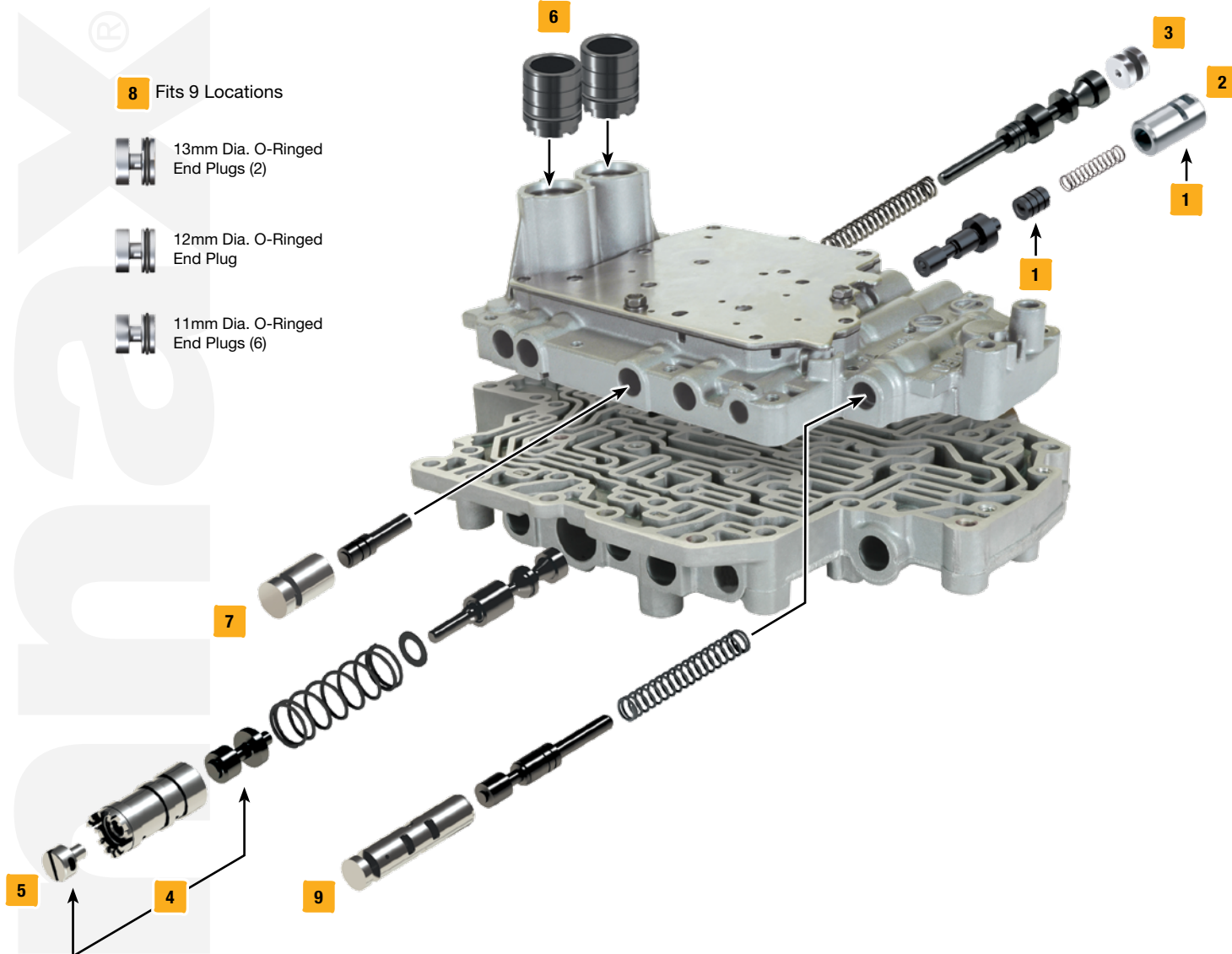


# Toyota/Lexus U140E/F, U240E, U241E

# sonnax®

Click on part numbers for product details or visit [www.sonnax.com](http://www.sonnax.com) to see all products for the unit(s) shown here.



8 Fits 9 Locations

13mm Dia. O-Ringed End Plugs (2)

12mm Dia. O-Ringed End Plug

11mm Dia. O-Ringed End Plugs (6)



See kit components at [www.sonnax.com](http://www.sonnax.com).



Symptoms/Part Type	Product Name	Part No.	Details	Tooling
<b>Multiple Symptoms</b>				
The first step in correcting common shift problems	Zip Kit®	U140E-U241E-ZIP	ZIP	
<b>TCC/Lockup Symptoms</b>				
TCC apply & release concerns, TCC codes, Burnt converter	Lockup Control Plunger Valve Kit	1 57917E-03K	ZIP	
TCC apply & release concerns, TCC codes, Harsh downshifts, Burnt converter	Oversized Lockup Control Valve Kit	2 27741-25K		F-27741-TL25*
TCC apply & release concerns, TCC codes, Burnt converter, Lube failures	Oversized Secondary Pressure Regulator Valve Kit	3 57917E-16K		F-57917E-TL16*
<b>Pressure Problems</b>				
Soft shifts, Low line rise in Drive, High line pressure in Reverse	Boost Valve Kit	4 57917E-01K	ZIP	
Soft shifts, Low line pressure, Harsh shifts, High line pressure, Clutch & band failures	Oversized Pressure Regulator & Boost Valve Kit	5 57917E-08K		57917E-TL8
<b>Shift/Engagement Concerns</b>				
Delayed engagement, Flare shifts, Forward slip, Burnt clutches	Accumulator Piston Kit	6 57917E-19K	Fits either of 2 locations	
Shift concerns, Erratic shifts, Clutch failure	Clutch Apply Control Plunger Valve Kit	7 57917E-05K	ZIP	
Inconsistent shift quality, Flare shifts, Bump shifts, Clutch failure, Bang shifts	O-Ringed End Plug Kit	8 57917E-20K	ZIP Includes 9 end plugs	
Slips & flares, Harsh upshifts, Bind-up, Harsh Reverse, TCC cycling, TCC slip, Low cooler flow	Solenoid Modulator Valve Kit	9 57917E-13K		F-57917E-TL13*

\* VB-FIX Required