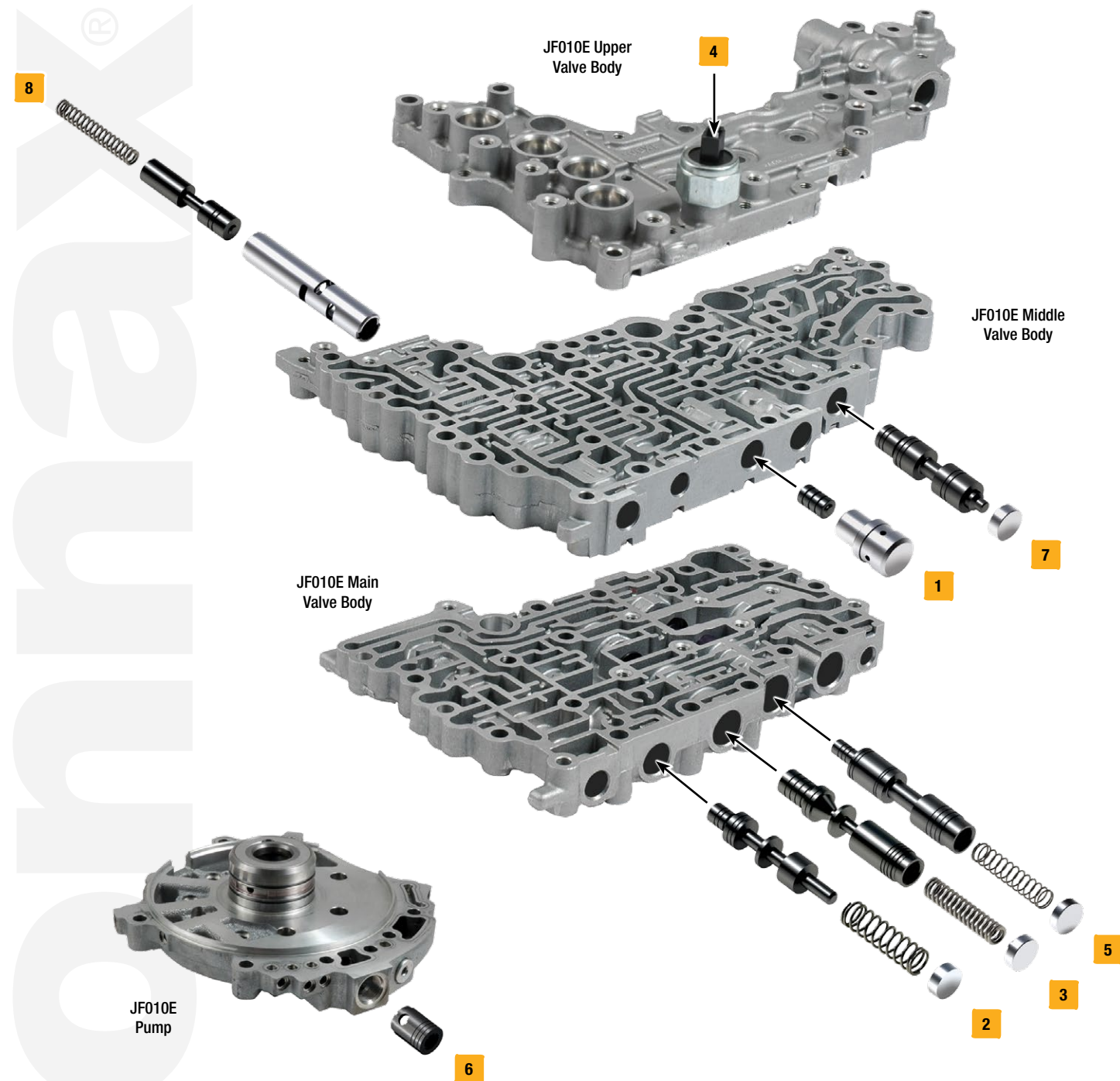


Click on part numbers for product details or visit www.sonnax.com to see all products for the unit(s) shown here.



| Symptoms/Part Type | Product Name | Part No. | Details | ZIP Drop-In Zip Valve™ Parts | Tooling |
|--|--|--------------|---|------------------------------|----------------|
| TCC/Lockup Symptoms | | | | | |
| Jerking on coastdown, High engine RPM, Engine stall on engagement, No lockup | Lockup Control Plunger Valve Kit | 1 113741-11K | ZIP | | |
| Engine stall on engagement, No lockup, Increased RPM during acceleration, Ratio codes | Oversized TCC Limit & Lube Valve Kit | 2 113741-04K | | | F-113741-TL4* |
| TCC slip codes, TCC apply & release concerns, Overheating, Lube failures | Oversized Torque Converter Regulator Valve Kit | 3 113741-15K | | | F-113741-TL13* |
| Shift/Engagement Concerns | | | | | |
| Shift concerns | Primary & Secondary Pressure Sensor | 4 33417N | Fits either valve body or case location | | |
| Chatter on acceleration, Damaged valve body casting, Slips in Forward & Reverse | Oversized Primary Pressure Regulator Valve Kit | 5 113741-09K | | | F-113741-TL9* |
| Delayed engagement, Push belt slippage | Oversized Pump Flow Control Valve | 6 113741-07 | | | F-113741-TL7C* |
| RPM surge on acceleration, Chatter on acceleration, Push belt slippage & pulley fracture | Oversized Secondary Pulley Control Valve Kit | 7 113741-17K | | | F-113741-TL17* |
| Chatter on acceleration, No ratio change, Noise on acceleration, Push belt slippage | Solenoid Regulator Valve Kit | 8 113741-01K | ZIP | | |

* VB-FIX Required

The VB-06 base plate is highly recommended when using tool kit F-113741-TL7C. The standard VB-FIX base plate would require drilling and tapping to allow reverse installation.