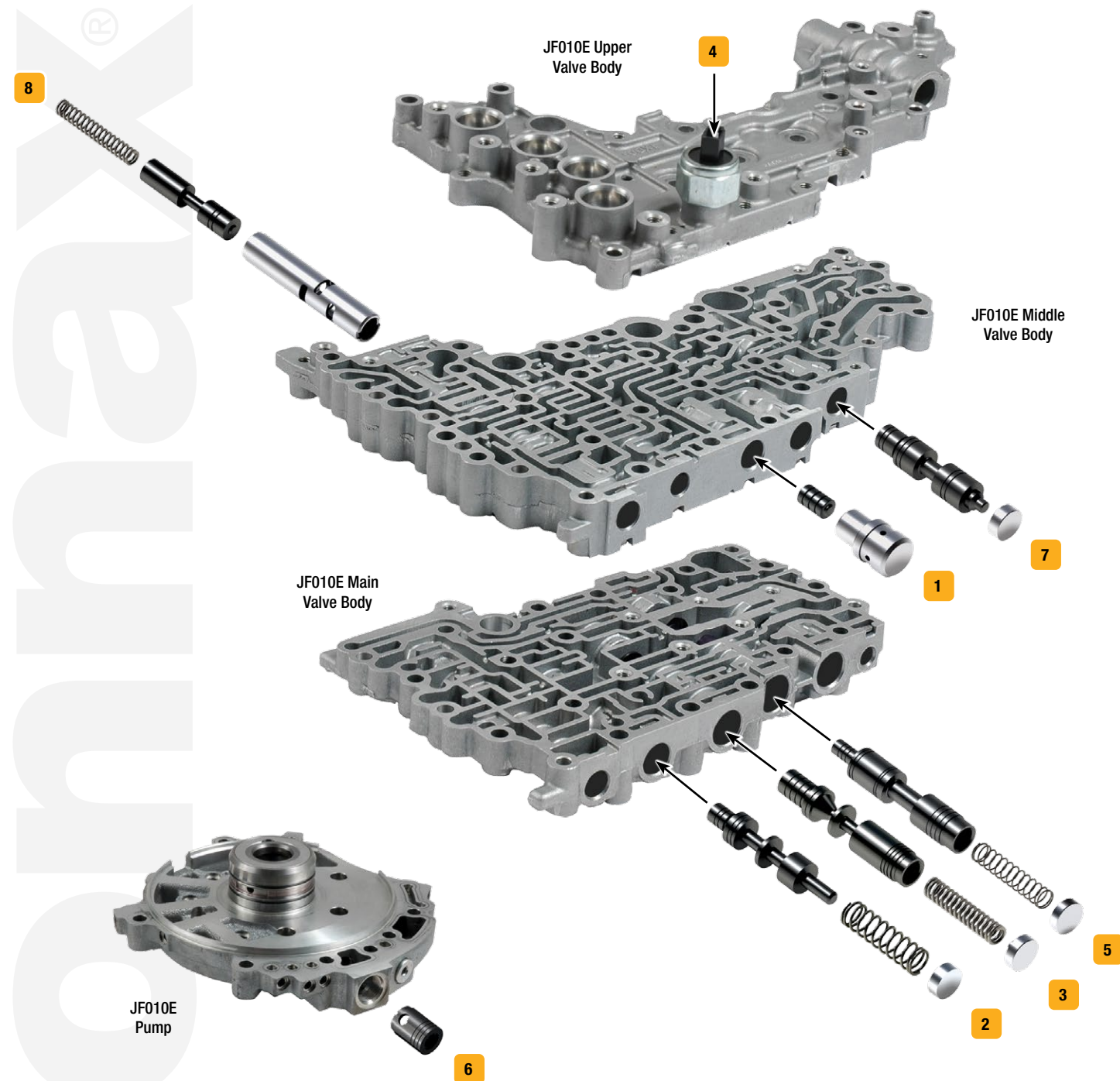


Click on part numbers for product details or visit www.sonnax.com to see all products for the unit(s) shown here.



Symptoms/Part Type	Product Name	Part No.	Details	ZIP Drop-In Zip Valve™ Parts	Tooling
TCC/Lockup Symptoms					
Jerking on coastdown, High engine RPM, Engine stall on engagement, No lockup	Lockup Control Plunger Valve Kit	1 113741-11K	ZIP		
Engine stall on engagement, No lockup, Increased RPM during acceleration, Ratio codes	Oversized TCC Limit & Lube Valve Kit	2 113741-04K			F-113741-TL4*
TCC slip codes, TCC apply & release concerns, Overheating, Lube failures	Oversized Torque Converter Regulator Valve Kit	3 113741-15K			F-113741-TL13*
Shift/Engagement Concerns					
Shift concerns	Primary & Secondary Pressure Sensor	4 33417N	Fits either valve body or case location		
Chatter on acceleration, Damaged valve body casting, Slips in Forward & Reverse	Oversized Primary Pressure Regulator Valve Kit	5 113741-09K			F-113741-TL9*
Delayed engagement, Push belt slippage	Oversized Pump Flow Control Valve	6 113741-07	.95" Valve		F-113741-TL7C*
	Oversized Pump Flow Control Valve	6 113741-26	1.02" Valve		F-113741-TL7C*
RPM surge on acceleration, Chatter on acceleration, Push belt slippage & pulley fracture	Oversized Secondary Pulley Control Valve Kit	7 113741-17K			F-113741-TL17*
Chatter on acceleration, No ratio change, Noise on acceleration, Push belt slippage	Solenoid Regulator Valve Kit	8 113741-01K	ZIP		

* VB-FIX Required

The VB-06 base plate is highly recommended when using tool kit F-113741-TL7C. The standard VB-FIX base plate would require drilling and tapping to allow reverse installation.