

# Critical Wear Areas & Vacuum Test Locations



**NOTE:** OE valves are shown in rest position and should be tested in rest position unless otherwise indicated. Test locations are pointed to with an arrow. Springs are not shown for visual clarity. Low vacuum reading indicates wear and Sonnax parts are noted for replacement.

## Valve Body • 45RFE Shown



For specific vacuum test information, refer to individual part instructions included in kits and available at [www.sonnax.com](http://www.sonnax.com).

Click on Sonnax part numbers to see more information.

### Solenoid Switch Valve Plugs

- Codes 841, 868, 871, 988, 1775, 1776 • Bind-up
- Failsafe mode • OD clutch burned • Wrong gear starts
- TCC apply & release concerns (41 & 42 series)
- Engine stall (41 & 42 series) • No lockup (41 & 42 series)

Replace with Sonnax Part Nos.

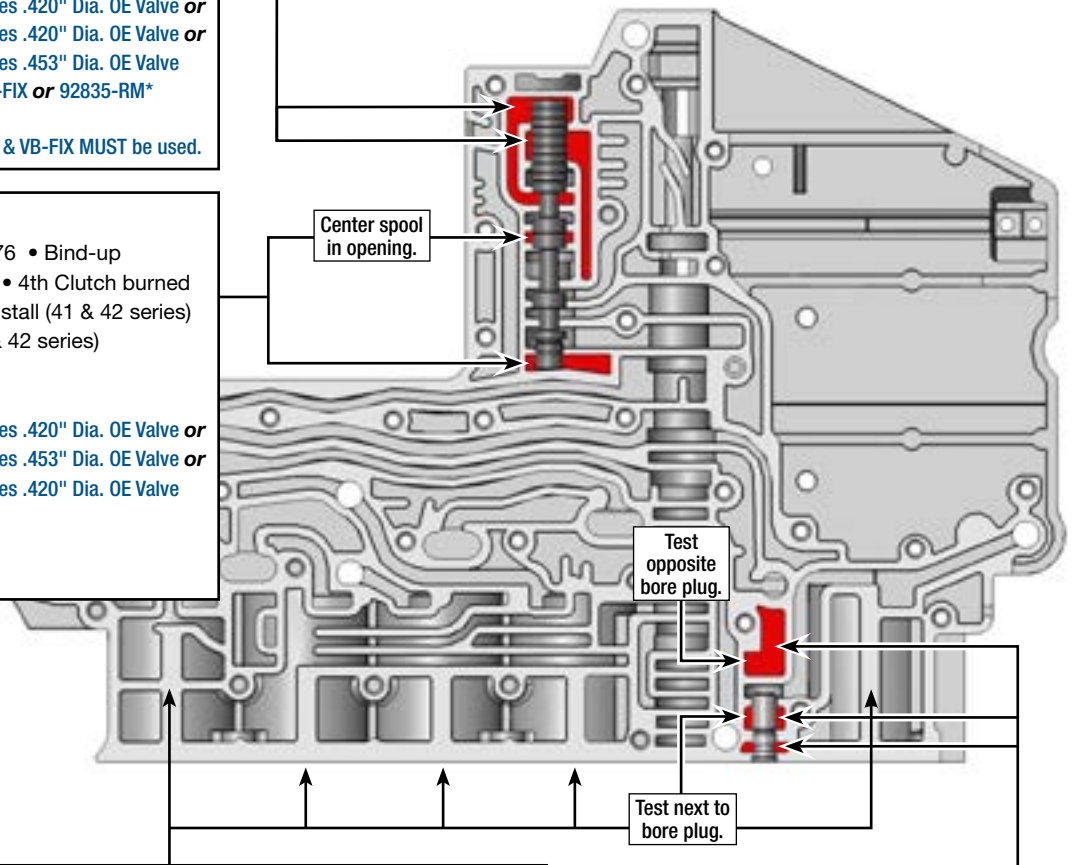
- 92835-02K** Replaces .420" Dia. OE Valve **or**
- 92835-18K** Replaces .420" Dia. OE Valve **or**
- 92835-22K** Replaces .453" Dia. OE Valve
- 92835-18K Requires EITHER F-92835-TL18 & VB-FIX **or** 92835-RM\*
- 92835-22K Requires 92835-RM22
- \*Does not work on 62TE units F-92835-TL18 & VB-FIX MUST be used.

### Solenoid Switch Valve

- Codes 841, 868, 871, 988, 1775, 1776 • Bind-up
- OD clutch burned • Failsafe mode • 4th Clutch burned
- 2nd Gear starts w/MIL on • Engine stall (41 & 42 series)
- TCC apply & release concerns (41 & 42 series)
- 2nd Gear starts w/MIL on

Replace with Sonnax Part Nos.

- 92835-21K** Replaces .420" Dia. OE Valve **or**
- 92835-31K** Replaces .453" Dia. OE Valve **or**
- 92835-32K** Replaces .420" Dia. OE Valve
- 92835-21K Requires F-92835-TL & VB-FIX
- 92835-31K Requires F-92835-TL31 & VB-FIX
- 92835-32K Requires F-92835-TL32 & VB-FIX



### Accumulator Pistons

- Slide shifts • High CVTs • 1-2 Shudder • Coastdown clunk

Replace with Sonnax Part Nos.

- 44894-01K** Accumulator Piston Kit (1 Piston Set) **or**
- 44894-01MK** Accumulator Piston Kit (6 Piston Sets) **or**
- 92834-03K** Accumulator Piston & Sleeve Kit (45RFE, 545RFE Only) **or**
- 92834-05K** Accumulator Piston & Sleeve Kit with Springs (45RFE, 545RFE Only)

### Low Reverse Switch Valve

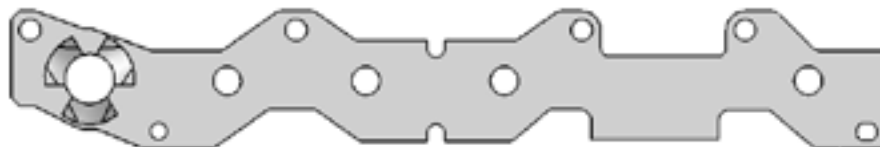
- Delayed engagement
- Low Reverse clutch failure

### Accumulator Retaining Plate

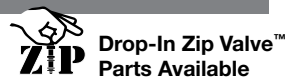
- Damaged accumulator plate

Sonnax Part No.

- 44892-01K** Requires 44892-TL



# Critical Wear Areas & Vacuum Test Locations



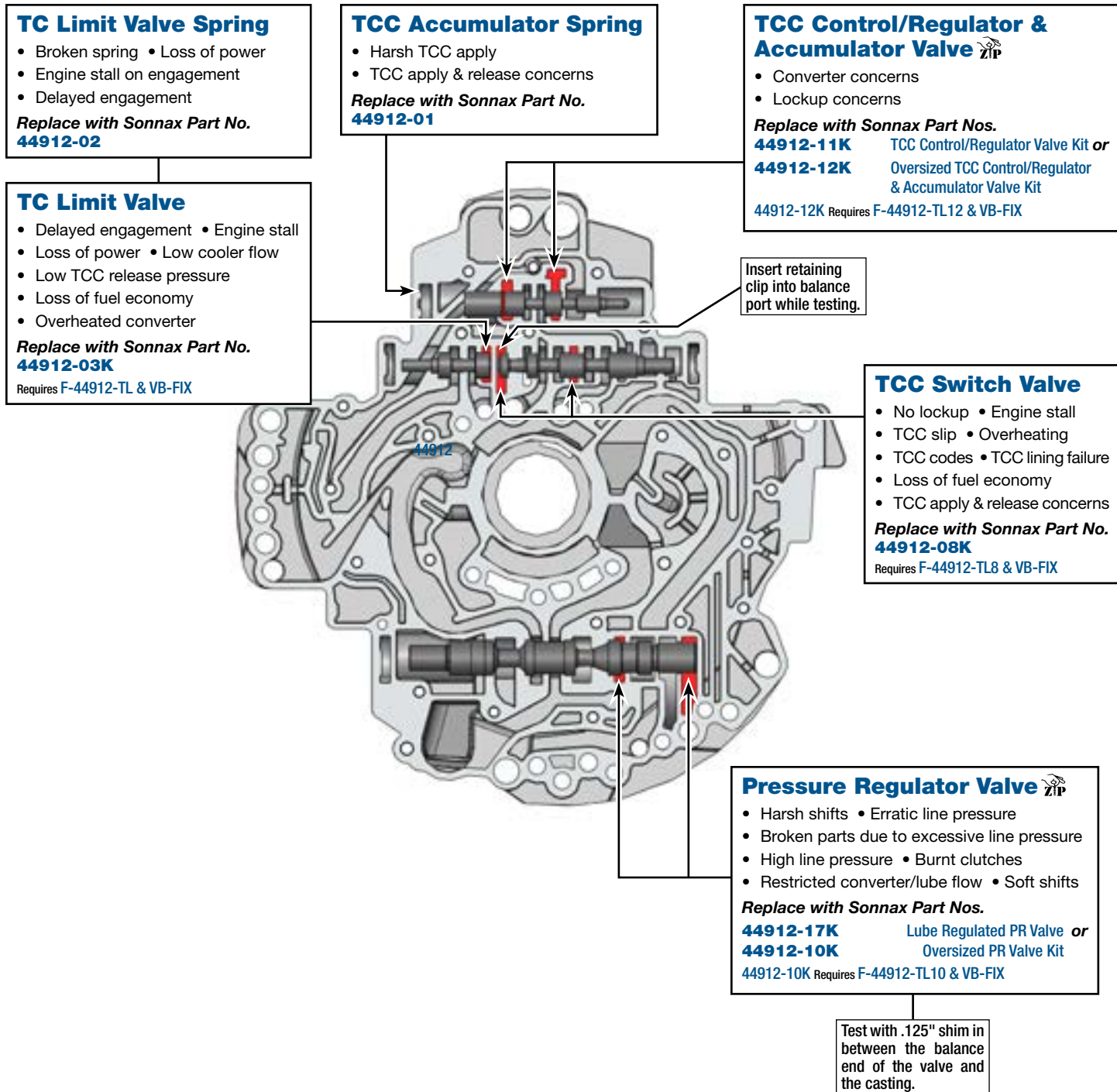
**NOTE:** OE valves are shown in rest position and should be tested in rest position unless otherwise indicated. Test locations are pointed to with an arrow. Springs are not shown for visual clarity. Low vacuum reading indicates wear and Sonnax parts are noted for replacement.

## Pump Body • 45RFE Shown



For specific vacuum test information, refer to individual part instructions included in kits and available at [www.sonnax.com](http://www.sonnax.com).

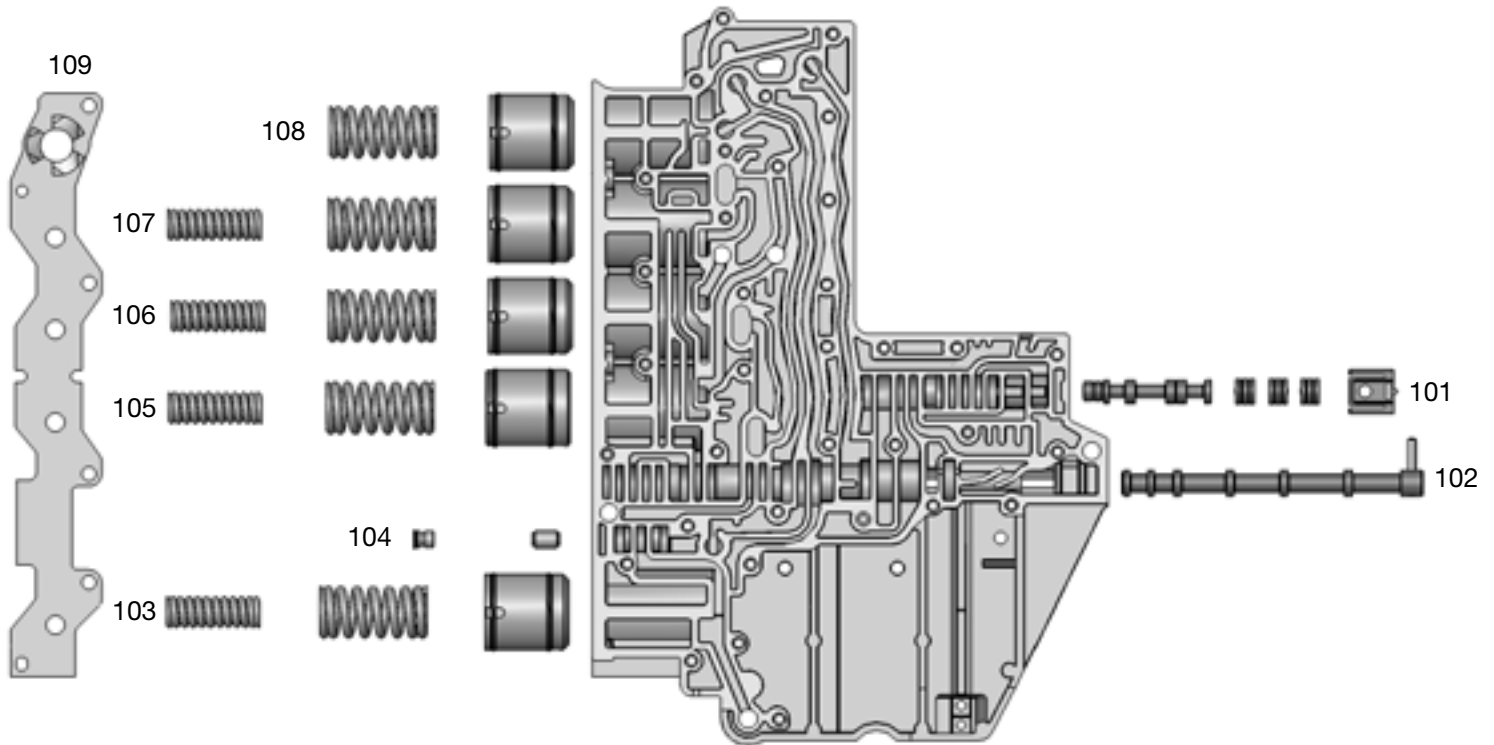
Click on Sonnax part numbers to see more information.



## OE Exploded View

### Valve Body • 45RFE Shown

**NOTE:** Depending upon vehicle application, the OE springs shown may not be present.



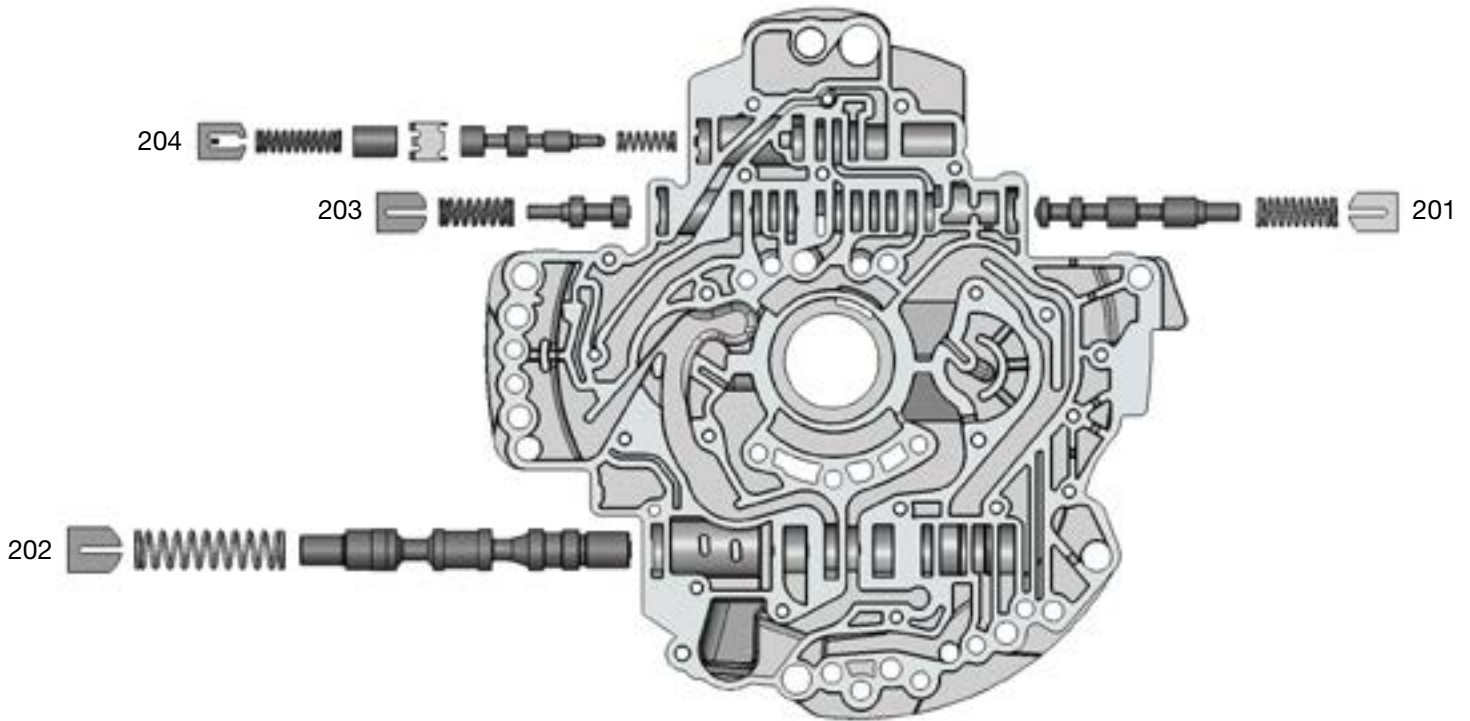
#### Valve Body Descriptions

I.D. No.	Description
101	Solenoid Switch Valve
102	Manual Valve
103	Low Reverse Accumulator Piston
104	Low Reverse Switch Valve
105	Second Clutch Accumulator Piston
106	Fourth Clutch Accumulator Piston
107	Underdrive Clutch Accumulator Piston
108	Overdrive Clutch Accumulator Piston
109	Accumulator Retaining Plate

## OE Exploded View

### Pump Body • 45RFE Shown

**NOTE:** Depending upon vehicle application, the OE springs shown may not be present.



<b>Pump Body Descriptions</b>	
<b>I.D. No.</b>	<b>Description</b>
201	TCC Switch Valve
202	Main Pressure Regulator Valve
203	TC Limit Valve
204	TCC Control/Regulator (Inboard) & Accumulator (Outboard) Valves