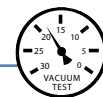


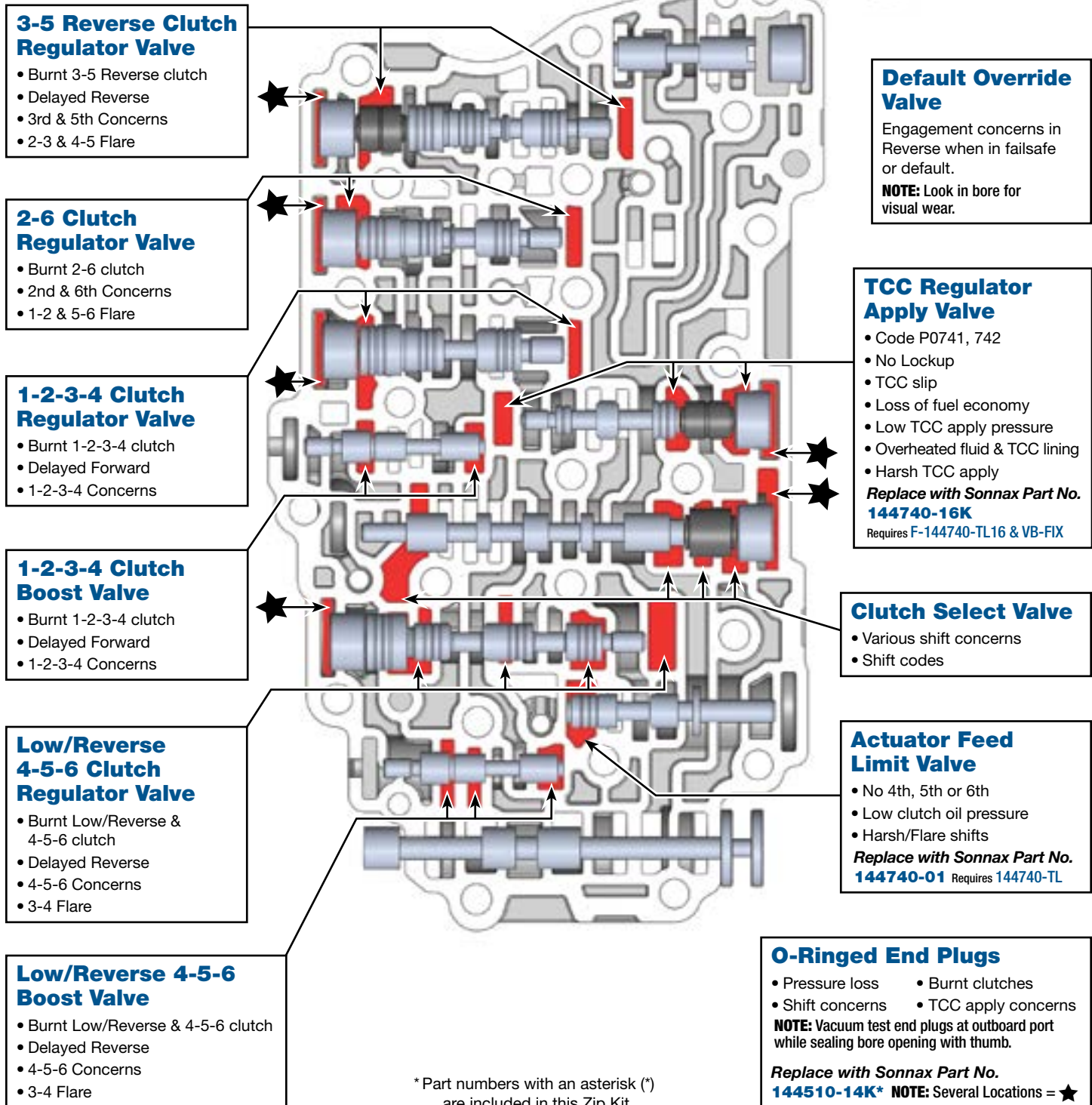
Critical Wear Areas & Vacuum Test Locations



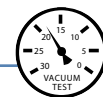
NOTE: OE valves are shown in rest position and should be tested in rest position unless otherwise indicated. Test locations are pointed to with an arrow. Springs are not shown for visual clarity. Low vacuum reading indicates wear and Sonnax parts noted for replacement.

Control Valve Body Assembly – Front • Gen. 2 6T40 Shown

6T40-GEN2-3-ZIP
Zip Kit® Available

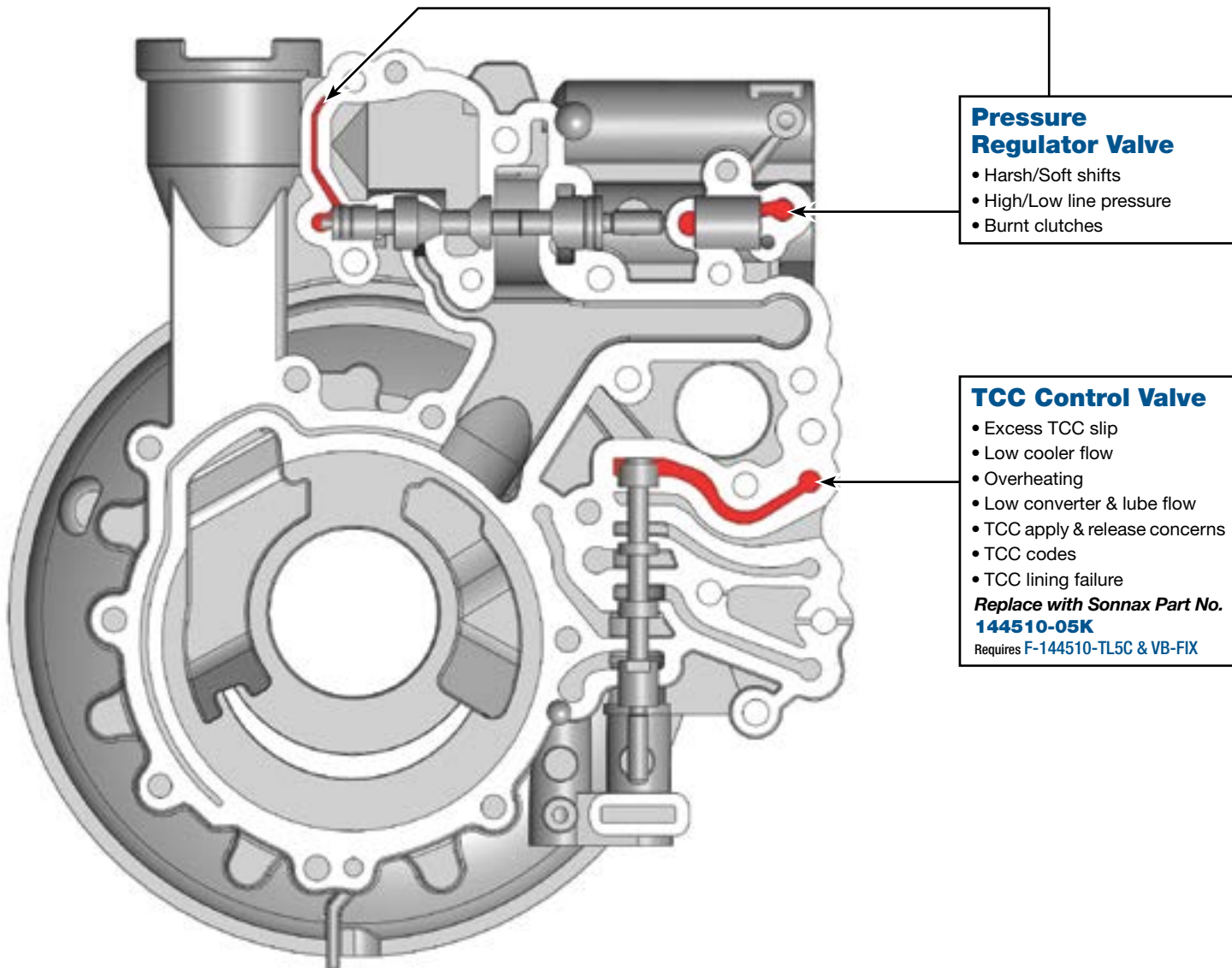


Critical Wear Areas & Vacuum Test Locations



NOTE: OE valves are shown in rest position and should be tested in rest position unless otherwise indicated. Test locations are pointed to with an arrow. Springs are not shown for visual clarity. Low vacuum reading indicates wear and Sonnax parts noted for replacement.

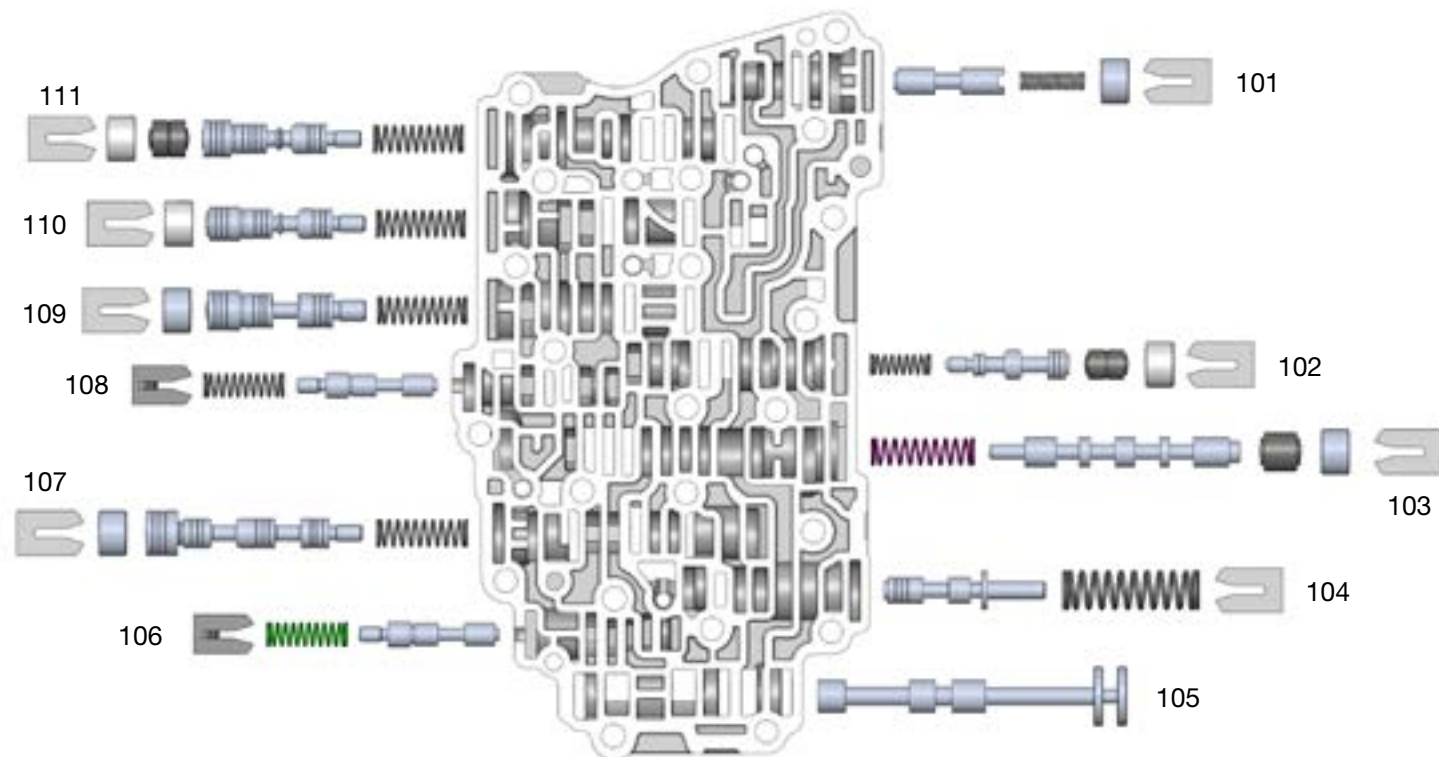
Pump Body • Gen. 2 6T40 Shown



OE Exploded View

Control Valve Body Assembly • Gen. 2 6T40 Shown

NOTE: Depending upon vehicle application, the OE springs shown may not be present.



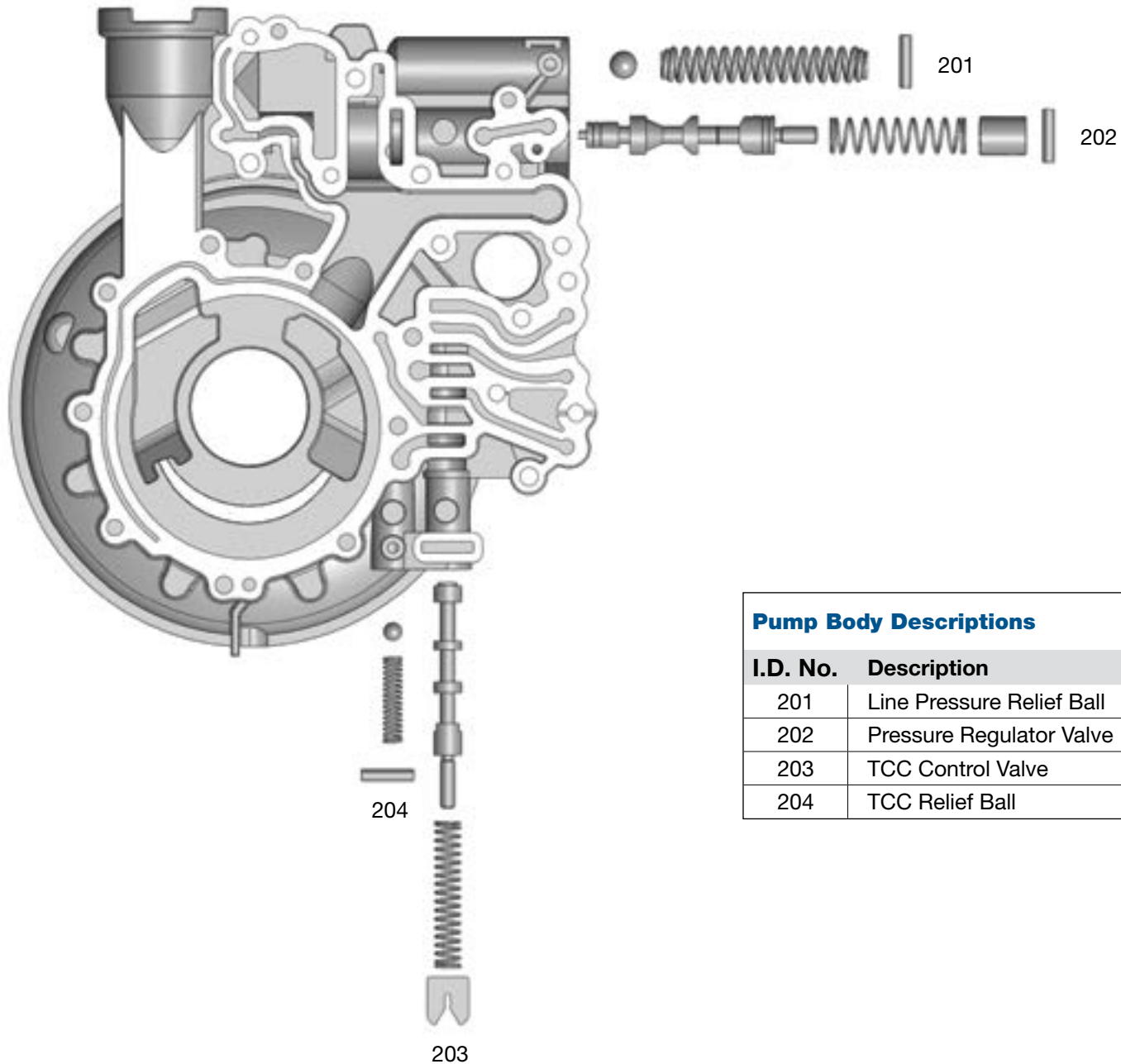
Control Valve Body Assembly Descriptions

I.D. No.	Description
101	Default Override Valve
102	TCC Regulator Apply Valve
103	Clutch Select Valve (inboard) Shuttle Valve (outboard)
104	Actuator Feed Limit Valve
105	Manual Valve
106	Low/Reverse 4-5-6 Boost Valve
107	Low/Reverse & 4-5-6 Clutch Regulator Valve
108	1-2-3-4 Clutch Boost Valve
109	1-2-3-4 Clutch Regulator Valve
110	2-6 Clutch Regulator Valve
111	3-5 Reverse Clutch Regulator Valve

OE Exploded View

Pump Body • Gen. 2 6T40 Shown

NOTE: Depending upon vehicle application, the OE springs shown may not be present.



Pump Body Descriptions

I.D. No.	Description
201	Line Pressure Relief Ball
202	Pressure Regulator Valve
203	TCC Control Valve
204	TCC Relief Ball