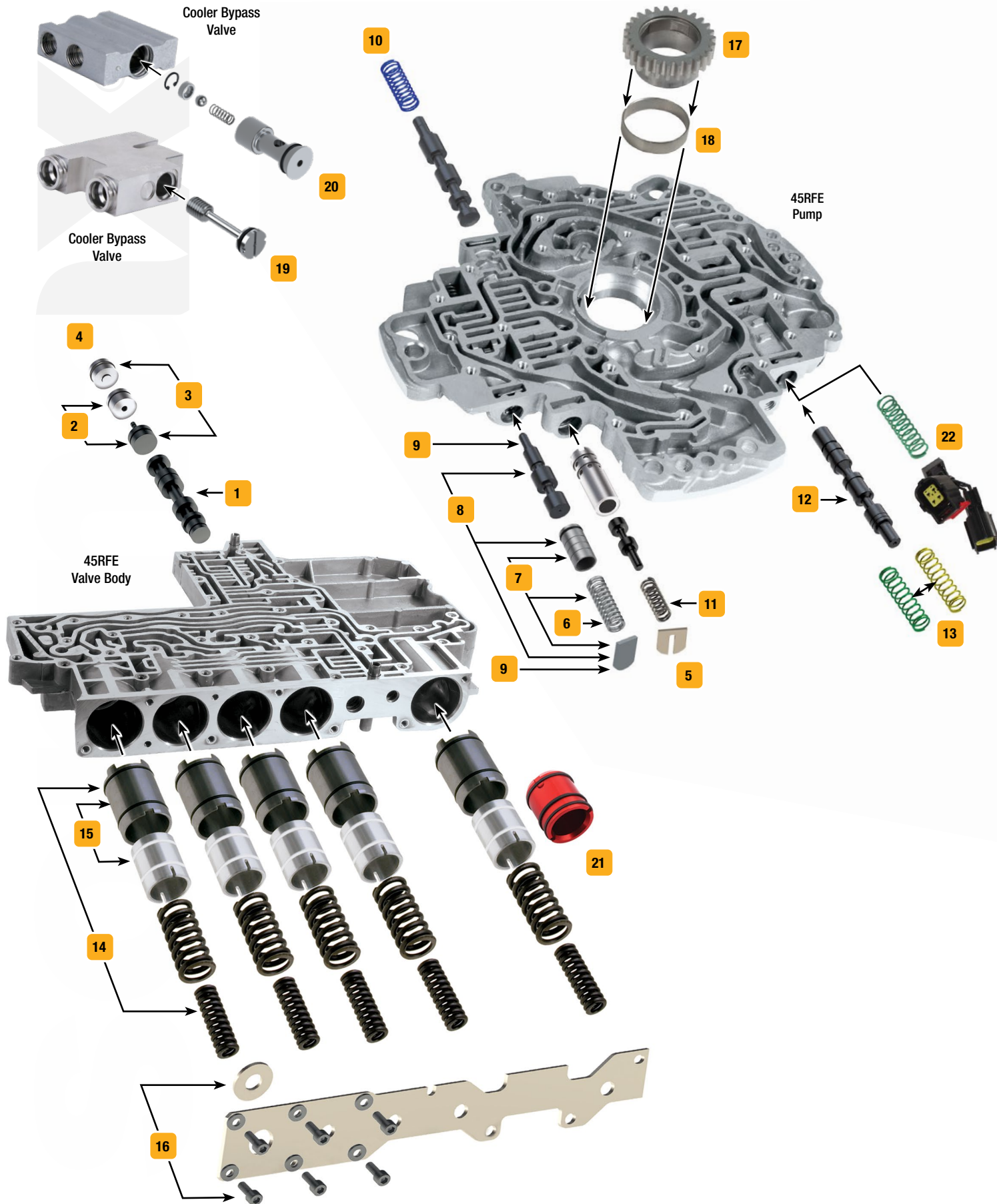


# Chrysler 45RFE, 545RFE, 65RFE, 66RFE, 68RFE



Click on part numbers for product details or visit [www.sonnax.com](http://www.sonnax.com) to see all products for the unit(s) shown here.



Symptoms/Part Type	Product Name	Part No.	Details	Tooling
<b>TCC/Lockup Symptoms</b>				
4th Clutch burned, Bind-up, Codes 841, 868, 871, 988, 1775, 1776, Failsafe mode	Oversized Solenoid Switch Valve	1 92835-21	45RFE, 545RFE, 68RFE only, fits bores containing OE switch valve with .420" dia. large spool	F-92835-TL*
Codes 841, 868, 871, 988, 1775, 1776, OD clutch burned, Failsafe mode, Bind-up	Solenoid Switch Valve Plug Kit	2 92835-02K	ZIP Fits bores containing OE switch valve with .420" dia. large spool	
	Solenoid Switch Valve Plug Kit	2 92835-39K	ZIP Fits bores containing OE switch valve with .453" dia. large spool with I.D. groove	
Low/Reverse switch code, 2nd Gear starts, Erratic TCC apply, No lockup	Oversized Solenoid Switch Valve Plug Kit	3 92835-22K	Fits bores containing OE switch valve with .453" dia. large spool only	92835-RM22
	Oversized Solenoid Switch Valve	3 92835-18K	45RFE, 545RFE, 68RFE only, fits bores containing OE switch valve with .420" dia. large spool	92835-RM, F-92835-TL18*, 92835-BST2 †
Codes 841, 868, 871, 988, 1775, 1776, OD clutch burned, Failsafe mode, Bind-up	Oversized Solenoid Switch Valve & Plug Kit	4 92835-32K	Fits bores containing OE switch valve with .420" dia. large spool	F-92835-TL32*, 92835-BST †
	Oversized Solenoid Switch Valve & Plug Kit	4 92835-31K	Fits bores containing OE switch valve with .453" dia. large spool	F-92835-TL31*
Delayed engagement, Loss of power, Engine stall, Low TCC release pressure, Low cooler flow	TC Limit Valve Kit	5 44912-03K		F-44912-TL*
Harsh TCC apply, TCC apply & release concerns	TCC Accumulator Spring	6 44912-01	5/Bag	
Converter concerns, Lockup concerns	TCC Accumulator Valve Kit	7 44912-18K		
Converter concerns, Lockup concerns	Oversized TCC Regulator & Accumulator Valve Kit	8 44912-12K		F-44912-TL12*
	TCC Regulator Valve Kit	9 44912-11K	ZIP	
No lockup, Engine stall, TCC slip, Overheating, TCC codes, Loss of fuel economy	Oversized TCC Switch Valve Kit	10 44912-08K		F-44912-TL8*
Broken spring, Engine stall on engagement, Delayed engagement, Loss of power	Torque Converter Limit Spring	11 44912-02	Fits OE aluminum valves in early-style units, not for use with 44912-03K, 5/bag	
<b>Pressure Problems</b>				
Low cooler flow at idle, Restricted converter/lube flow, Engine stall at idle	Lube Regulated Pressure Regulator Valve	12 44912-17K	ZIP	
Low cooler flow at idle, Restricted converter/lube flow, Engine stall at idle	Oversized Lube Regulated Pressure Regulator Valve Kit	13 44912-15K		
Harsh shifts, Erratic line pressure, Broken parts due to excessive line pressure	Oversized Pressure Regulator Valve Kit	13 44912-10K	Selective springs	F-44912-TL10*
<b>Shift/Engagement Concerns</b>				
Slide shifts, High CVIs, 1-2 Shudder, Coastdown clunk	Accumulator Piston & Sleeve Kit	14 92834-05K	ZIP 45RFE, 545RFE only, fits 5 locations, restores OE shift quality	
	Accumulator Piston & Sleeve Kit	15 92834-03K	ZIP 45RFE, 545RFE only, fits 5 locations, firmer shift than OE	
<b>Component Damage/Failure</b>				
Damaged accumulator plate	Accumulator Cover Plate Kit	16 44892-01K		44892-TL
Pump gear wear or fracture, Noise concerns	Center Pump Gear	17 72530B-02	68RFE only	
	Center Pump Gear Bushing	18 72530B-03	68RFE only, precision	
Overheating, Overheated fluid	Thermal Bypass Eliminator	19 72760-01K	For use in OE part no. 68186711AB	
	Thermal Bypass Eliminator Kit	20 72760-02K	ZIP For use in OE part no. 55111005AC	
<b>High Performance/Heavy Duty Upgrades</b>				
Billet aluminum piston with dual support seals prevents breakage & salvages worn bores	Accumulator Piston Kit	21 44894-01K	ZIP Includes 1 piston	
	Accumulator Piston Kit	21 44894-01MK	ZIP Includes 5 pistons	
Classic, large-ratio boost valve performance for crisp, clean shifts without harshness	Line Pressure Booster Kit	22 RFE-LB1	Fits gas or diesel units, can be installed with or without spring in most RFE units	

\* VB-FIX Required

† Recommended Tool